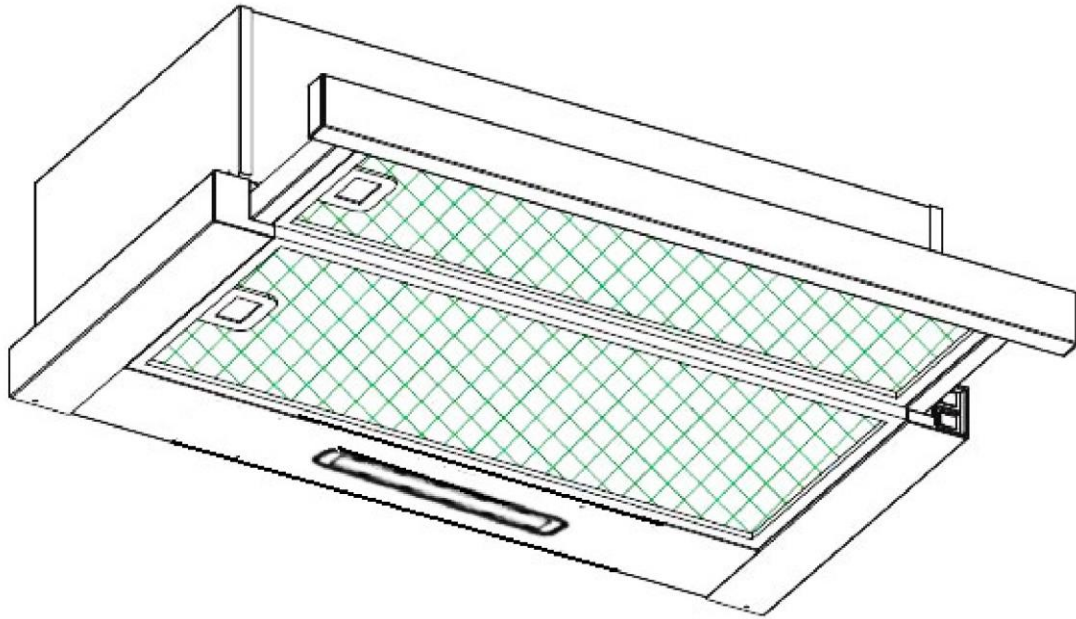


CBT6130/3X

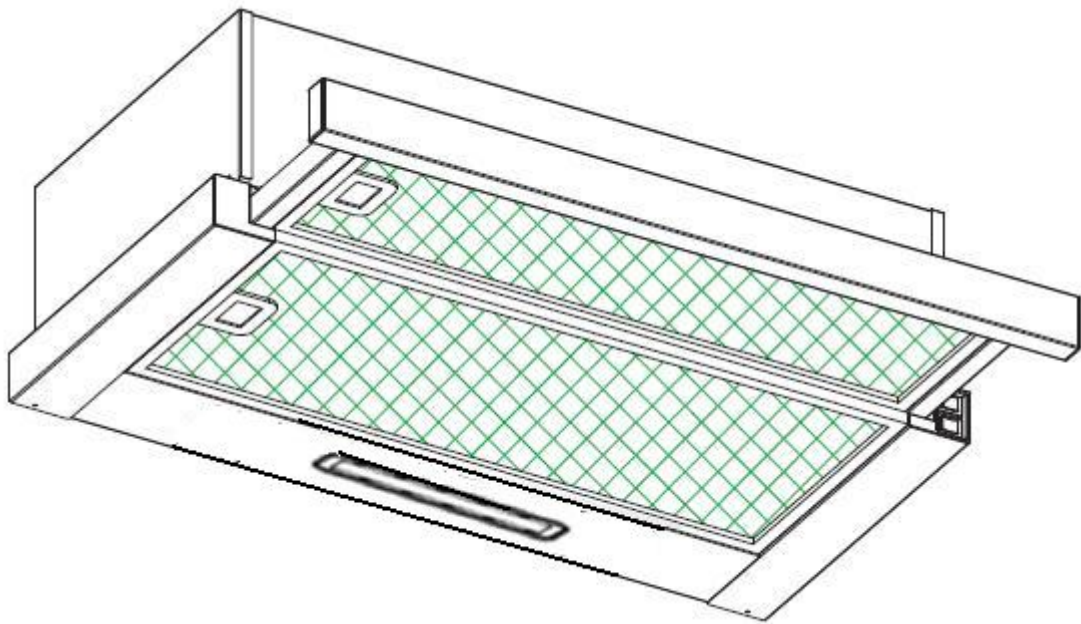
Cooker Hood Instruction Manual



ENGLISH(EN)-----	PAGE 001
FRENCH (FR)-----	PAGE 013
MAGYAR (HU)-----	026. OLDAL
HRVATSKI (HR)-----	STRANICA 038
PORTUGUÊS (PT)-----	PÁGINA 050
DEUTSCH (DE)-----	SEITE 062
ITALIANO (IT)-----	PAGINA 074
العربية (AR)-----	الصفحة 086
CZECH (CS)-----	PAGE 098
SLOVAK (SK)-----	PAGE 111
DUTCH (NL)-----	PAGE 123
ESPAÑOL (ES)-----	PÁGINA 135

Cooker Hood

Instruction Manual



Content

1.....	Safety instructions
2.....	Installation
3.....	Start using your cooker hood
4.....	Troubleshooting
5.....	Maintenance and cleaning
6.....	Environment protection

SAFETY INSTRUCTIONS

This manual explains the proper installation and use of your cooker hood, please read it carefully before using even if you are familiar with the product.

The manual should be kept in a safe place for future reference.

These instructions shall also be available in an alternative format, e.g. on a website or on request from the user in a format such as a DVD.

Never to do:

- Do not try to use the cooker hood without the grease filters or if the filters are excessively greasy!
- Do not install above a cooker with a high level grill.
- Do not leave frying pans unattended during use because overheated fats or oils might catch fire.
- Never leave naked flames under the cooker hood.



- If the cooker hood is damaged, do not attempt to use.
- Do not flambé under the cooker hood.
- CAUTION: Accessible parts may become hot when used with cooking appliances.
- The minimum distance between the supporting surface for the cooking vessels on the hob and the lowest part of the cooker hood. (When the cooker hood is located above a gas appliance, this distance shall be at least 65 cm)
- The air must not be discharged into a flue that is used for exhausting fumes from appliances burning gas or other fuels.



Always to do:

- Important! Always switch off the electricity supply at the mains during installation and maintenance such as light bulb replacement.
- The cooker hood must be installed in accordance with the installation instructions and all measurements followed.
- All installation work must be carried out by a competent person or qualified electrician.
- Please dispose of the packing material carefully. Children are vulnerable to it.
- Pay attention to the sharp edges inside the cooker hood especially during installation and cleaning.
- When the cooker hood is located above a gas appliance, the minimum distance between the supporting surface for the cooking vessels on the hob and the lowest part of the cooker hood that distance must be:
Gas cookers: 75 cm
Electric cookers: 65 cm
Coal or oil cookers: 75 cm
- Make sure the ducting has no bends sharper than 90 degrees as this will reduce the efficiency of the cooker hood.
- Warning: Failure to install the screws or fixing device in accordance with these instructions may result in electrical hazards
- Warning: Before obtaining access to terminals, all supply circuits must be disconnected.

Always to do:

- Always put lids on pots and pans when cooking on a gas cooker.
- When in extraction mode, air in the room is being removed by the cooker hood. Please make sure that proper ventilation measures are being observed. The cooker hood removes odours from room but not steam.
- Cooker hood is for domestic use only.



- If the supply cord is damaged, it must be replaced by the manufacturer, its service agent or similarly qualified persons in order to avoid a hazard.
- This appliance can be used by children aged from 8 years and above and persons with reduced physical, sensory or mental capabilities or lack of experience and knowledge if they have been given supervision or instruction concerning use of the appliance in a safe way and understand the hazards involved. Children shall not play with the appliance. Cleaning and user maintenance shall not be made by children without supervision.



- **Warning:** Before obtaining access to terminals, all supply circuits must be disconnected.

Always to do:

- **Caution:** The appliance and its accessible parts can become hot during operation. Be careful to avoid touching the heating elements. Children younger than 8 years old should stay away unless they are under permanent supervision.
- There shall be adequate ventilation of the room when the cooker hood is used at the same time as appliances burning gas or other fuels.
- There is a fire risk if cleaning is not carried out in accordance with the instructions
- Regulations concerning the discharge of air have to be fulfilled.
- Clean your appliance periodically by following the method given in the chapter MAINTENANCE.
- For safety reason, please use only the same size of fixing or mounting screw which are recommended in this instruction manual.
- Regarding the details about the method and frequency of cleaning, please refer to maintenance and cleaning section in the instruction manual.
- Cleaning and user maintenance shall not be made by children without supervision.
- When the cooker hood and appliances supplied with energy other than electricity are simultaneously in operation, the negative pressure in the room must not exceed 4 Pa (4 x 10⁻⁵ bar).
- **WARNING:** Danger of fire: do not store items on the cooking surfaces.
- A steam cleaner is not to be used.
- **NEVER** try to extinguish a fire with water, but switch off the appliance and then cover flame e.g. with a lid or a fire blanket.

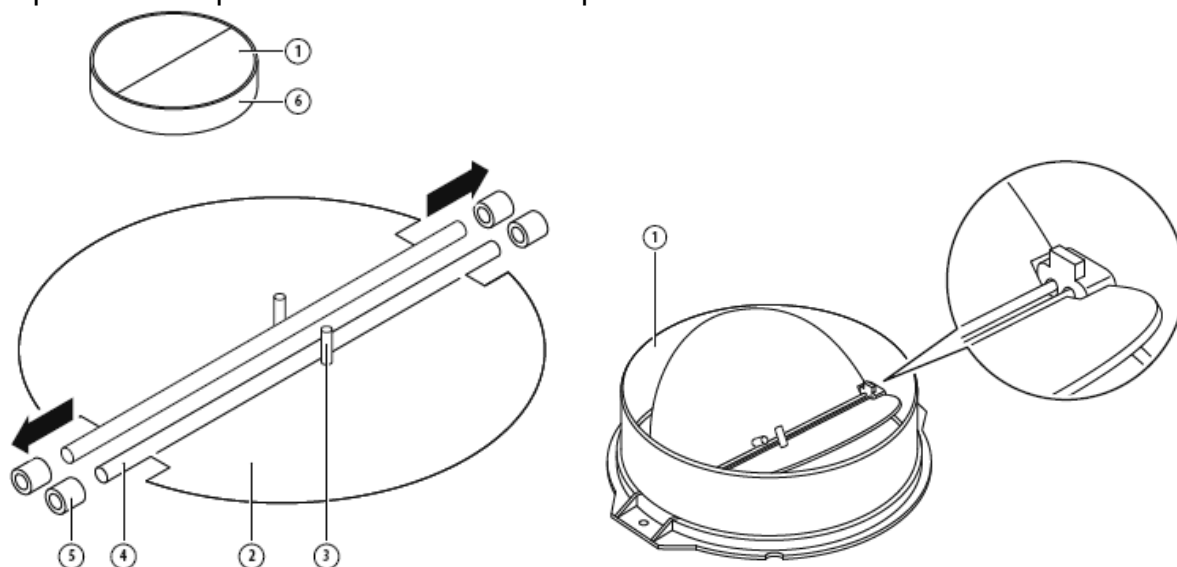
INSTALLATION (VENT OUTSIDE)

MOUNTING OF THE V-FLAP (Optional)

If the cooker hood does not have an assembled V-flap 1, you should mount the half-parts to its body. The images only show an example of how to mount the V-flap, the outlet may be various according to different models and configuration.

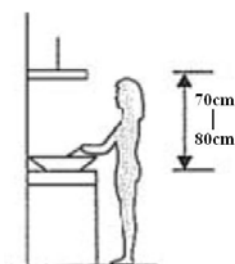
To mount the V-flap 1 you should:

- Mount two half-parts 2 into the body 6
- a pin 3 should be top oriented;
- the axis 4 should be inserted in the holes 5 on body;
- repeat all the operations for the 2nd half-part

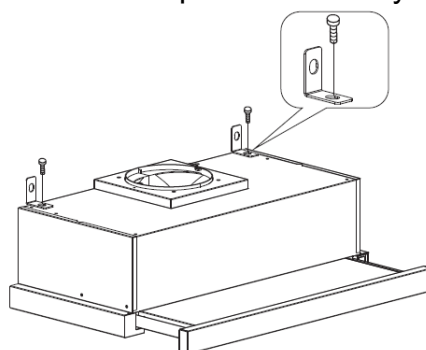


INSTALLATION (Wall Mounting)

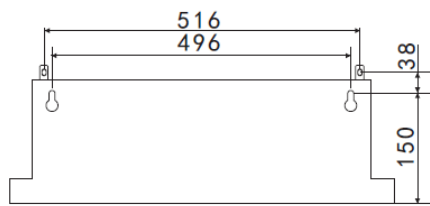
1. Decide the location of the holes for fixing the cooker hood.



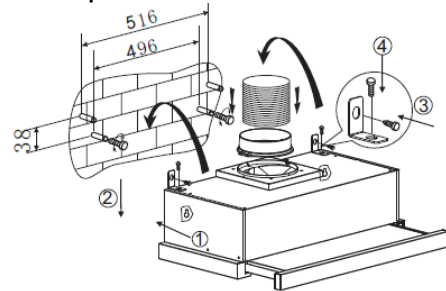
2. Install the L-shaped bracket on the top of the hood by two screws (4mm x 10mm)



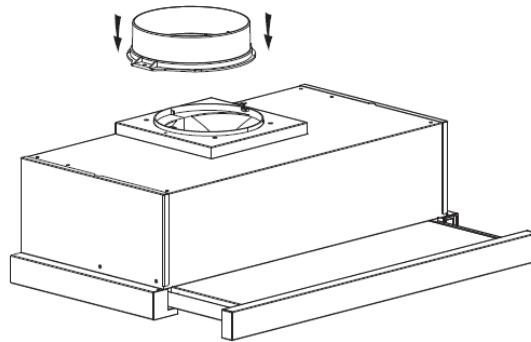
- The cooker hood is wall mounted by 4 screws (4mm x 30mm) and wall plugs. Mount the cooker hood on the wall on the back of the cooker hood by 2 screws (4mm x 30mm) and wall plugs. Then fix the cooker hood on the wall by 2 screws (4mm x 30mm) and wall plugs through the small L-shaped bracket.



60CM

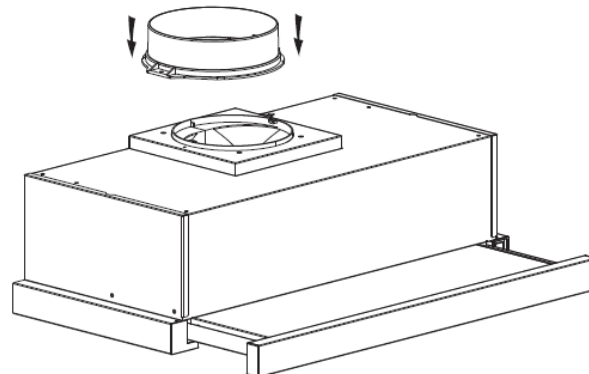


- Fix the one-way-valve to the air outlet of the cooker hood.

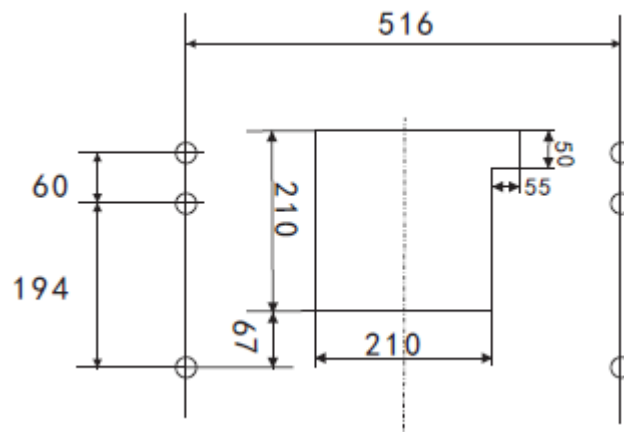


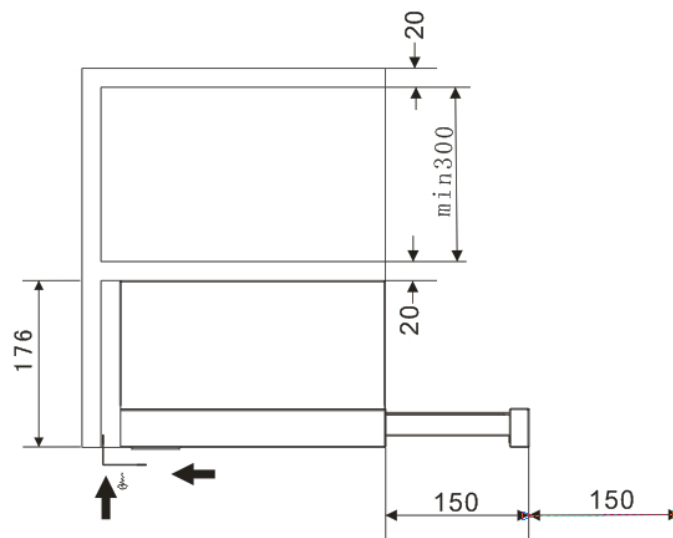
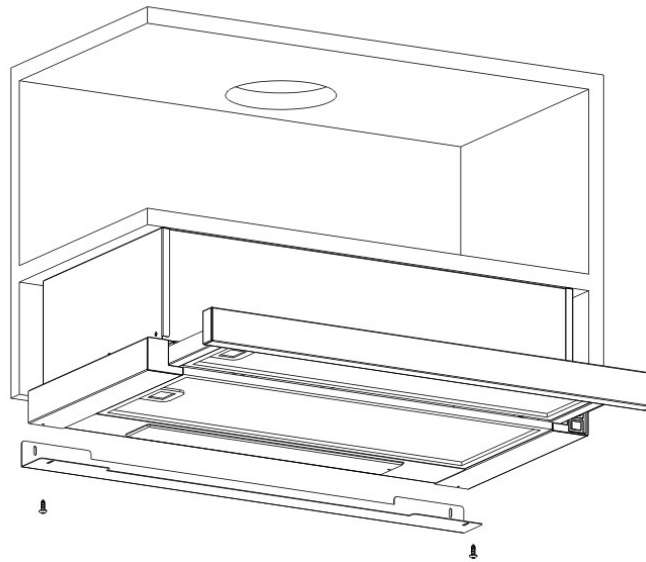
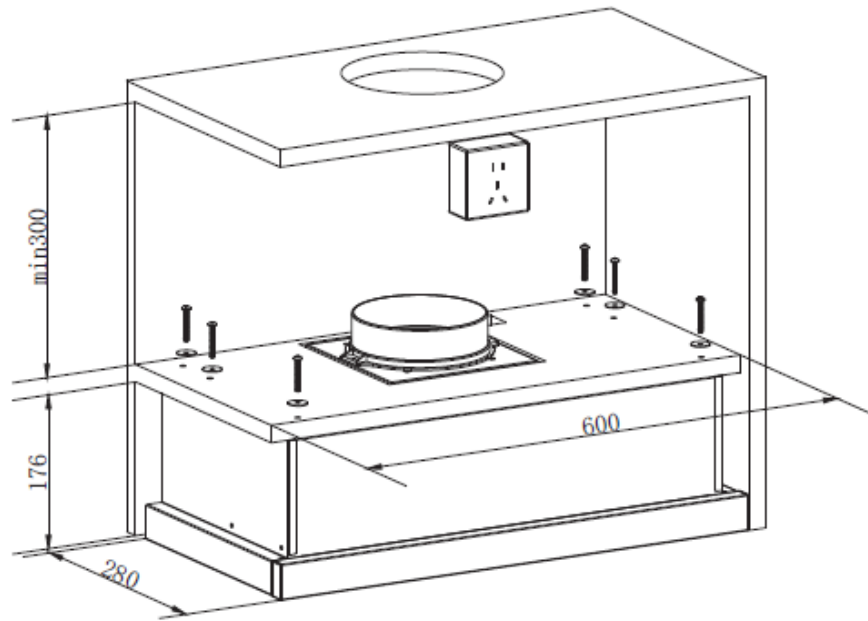
INSTALLATION (Cabinet Mounting)

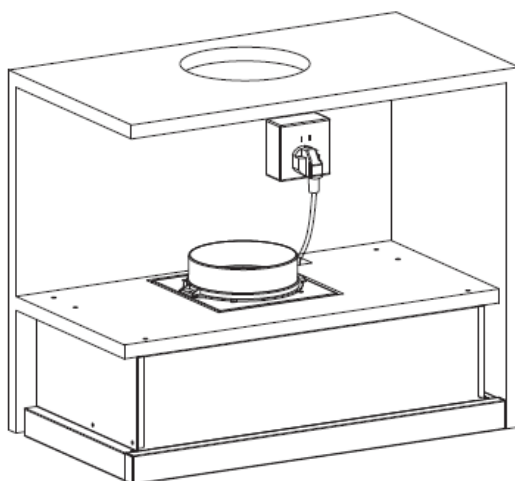
- Fix the one-way-valve to the air outlet of the cooker hood.




- Mount the cooker hood on the cabinet by 6 screws (4x35mm) and flat washers.





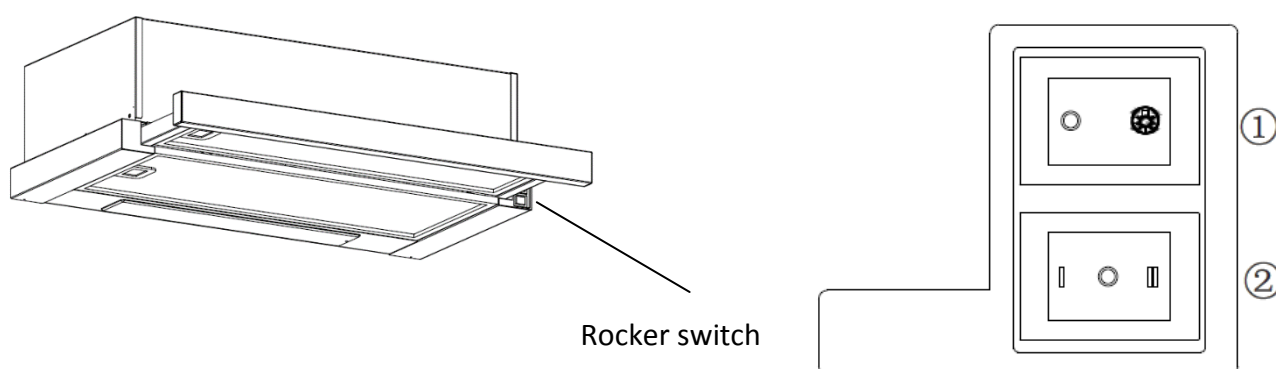


If there is gap between the wall and the cooker hood, you may install the L-shaped bracket on the bottom of the hood by two screws (3 x 12mm).
 The installation of the L-shaped bracket is optional.
 Note: The expansion pipe is not included in the product.

<p>WARNING:</p> 	<ul style="list-style-type: none"> ➤ For safety reason, please use only the same size of fixing or mounting screw which are recommended in this instruction manual. ➤ Failure to install the screws or fixing device in accordance with these instructions may result in electrical hazards.
---	--

Start Using Your Cooker Hood

Rocker switch



1. Insert the power plug into the socket.
2. Push switch ① to , the lamp will be on; push switch ① to "0" , the lamp will be off.

3. Push the switch ② into "I, II" , the motor will be on "low, high" two speeds, push into "0" , the motor will be off.
4. The power will be connected when pull out the front panel. Conversely, the power will be automatically disconnected.

TROUBLESHOOTING

Fault	Possible Cause	Solution
Light on, but motor does not work	Fan switch turned off	Select a fan switch position.
	Fan switch failed	Contact service center.
	Motor failed	Contact service center.
Light does not work, motor does not work	House fuses blown	Reset/Replace fuses.
	Power cord loose or disconnected	Refit cord to power outlet. Switch power outlet on.
Oil leakage	One way valve and the outlet are not tightly sealed	Take down the one way valve and seal with sealant.
	Leakage from the connection of chimney and cover	Take chimney down and seal.
Lights not working	Broken/Faulty globes	Replace globes as per this instruction.
Insufficient suction	The distance between the cooker hood and the gas top is too far	Refit the cooker hood to the correct distance.
The Cooker hood inclines	The fixing screw not tight enough	Tighten the hanging screw and make it horizontal.

NOTE:

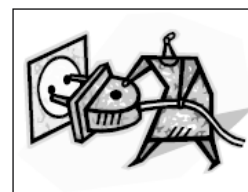


Any electrical repairs to this appliance must conform to your local, state and federal laws. Please contact the service centre if in any doubt before undertaking any of the above. Always disconnect the unit from the power source when opening the unit.

MAINTENANCE AND CLEANING

Caution:

- Before maintenance or cleaning is carried out, the cooker hood should be disconnected from the main power supply. Ensure that the cooker hood is switched off at the wall socket and the plug removed.



- External surfaces are susceptible to scratches and abrasions, so please follow the cleaning instructions to ensure the best possible result is achieved without damage.

GENERAL

Cleaning and maintenance should be carried out with the appliance cold especially when cleaning. Avoid leaving alkaline or acid substances (lemon juice, vinegar etc.) on the surfaces.

STAINLESS STEEL

The stainless steel must be cleaned regularly (e.g. weekly) to ensure long life expectancy. Dry with a clean soft cloth. A specialized stainless steel cleaning fluid may be used.

NOTE:

Ensure that wiping is done along with the grain of the stainless steel to prevent any unsightly crisscross scratching patterns from appearing.

CONTROL PANEL SURFACE

The inlay control panel can be cleaned using warm soapy water. Ensure the cloth is clean and well wrung before cleaning. Use a dry soft cloth to remove any excess moisture left after cleaning.

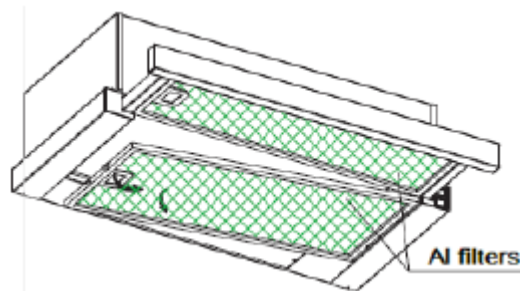
Important

Using neutral detergents and avoid using harsh cleaning chemicals, strong household detergents or products containing abrasives, as this will affect the appliance appearance and potentially remove any printing of artwork on the control panel and will void manufacturer's warranty.

GREASE MESH FILTERS

The mesh filters can be cleaned by hand. Soak them for about 3 minutes in water with a grease-loosening detergent then brush it gently with a soft brush. Please do not apply too much pressure, avoid to damage it. (Leave to dry naturally out of direct sunlight)

Filters should be washed separately to crockery and kitchen utensils. It is advisable not to use rinse aid.



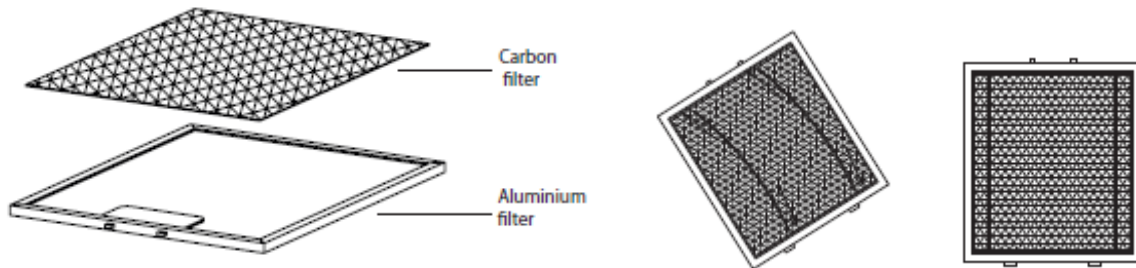
INSTALLING GREASE MESH FILTERS

- To install filters for the following four steps .
 - Angle the filter into slots at the back of the hood.
 - Push the button on handle of the filter.
 - Release the handle once the filter fits into a resting position.
 - Repeat to install all filters.

CARBON FILTER

Activated carbon filter can be used to trap odors. Normally the activated carbon filter should be changed at three or six months according to your cooking habit. The installation procedure of activated carbon filter is as below.


1. Put the carbon filter on the back side of the aluminium filter.
2. Insert the steel wire into the frame of the aluminium filter, one on each side. You need to bend it to insert into the other end of the frame.
3. Make sure the steel wire fix the carbon filter onto the aluminium filter.



NOTE:

- Make sure the filter is securely locked. Otherwise, it would loosen and cause dangerous.
- When activated carbon filter attached, the suction power will be lowered.

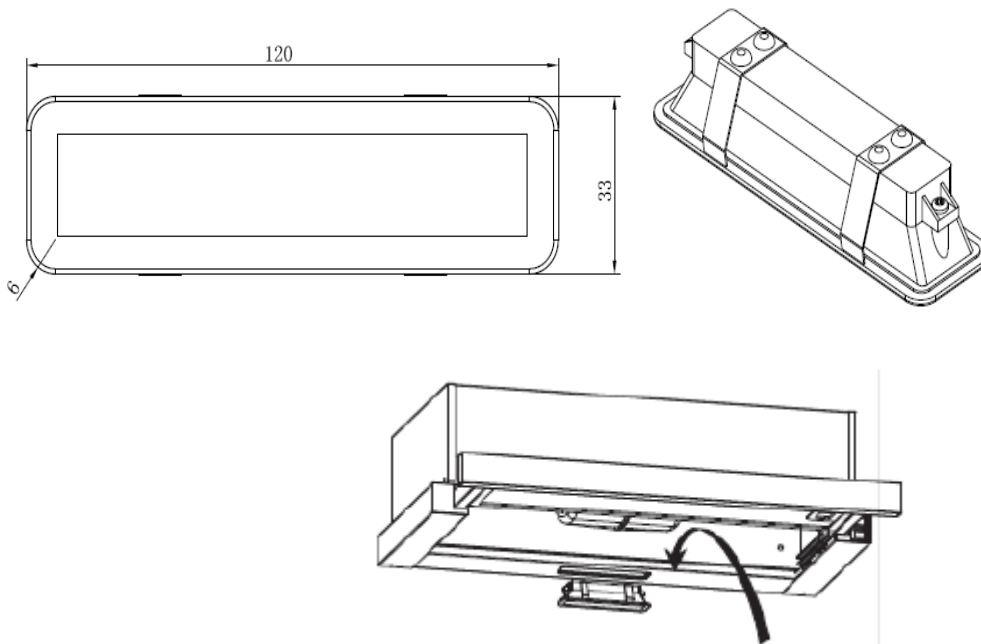
BULB REPLACEMENT

<p>Important :</p> 	<ul style="list-style-type: none">✧ The bulb must be replaced by the manufacturer, its service agent or similarly qualified persons.✧ Always switch off the electricity supply before carrying out any operations on the appliance. When handling bulb, make sure it is completely cool down before any direct contact to hands.✧ When handling globes hold with a cloth or gloves to ensure perspiration does not come in contact with the globe as this can reduce the life of the globe.
--	---


Changing the light

Use the screw driver to loosen the ST4*8MM self tapping screw (2pcs) from the lighting panel, take out the lighting fixture. Open the terminal box that connected with the wire, disconnect the wire connector and replace the lamp.

- ILCOS D code for this lamp is: DBS-2/65-H-120/33
- LED modules –rectangle lamp
- Max wattage: 1X2 W
- Voltage range: AC 110-240V
- Dimensions:



ENVIRONMENTAL PROTECTION:

	<p>This product is marked with the symbol on the selective sorting of waste electronic equipment. This means that this product must not be disposed of with household waste but must be supported by a system of selective collection in accordance with Directive 2012/19/EU. It will then be recycled or dismantled to minimize impacts on the environment, electrical and electronic products are potentially dangerous for the environment and human health due to the presence of hazardous substances. For more information, please contact your local or regional authorities.</p>
---	---

NOTE:

The following shows how to reduce total environmental impact (e.g. energy use) of the cooking process).

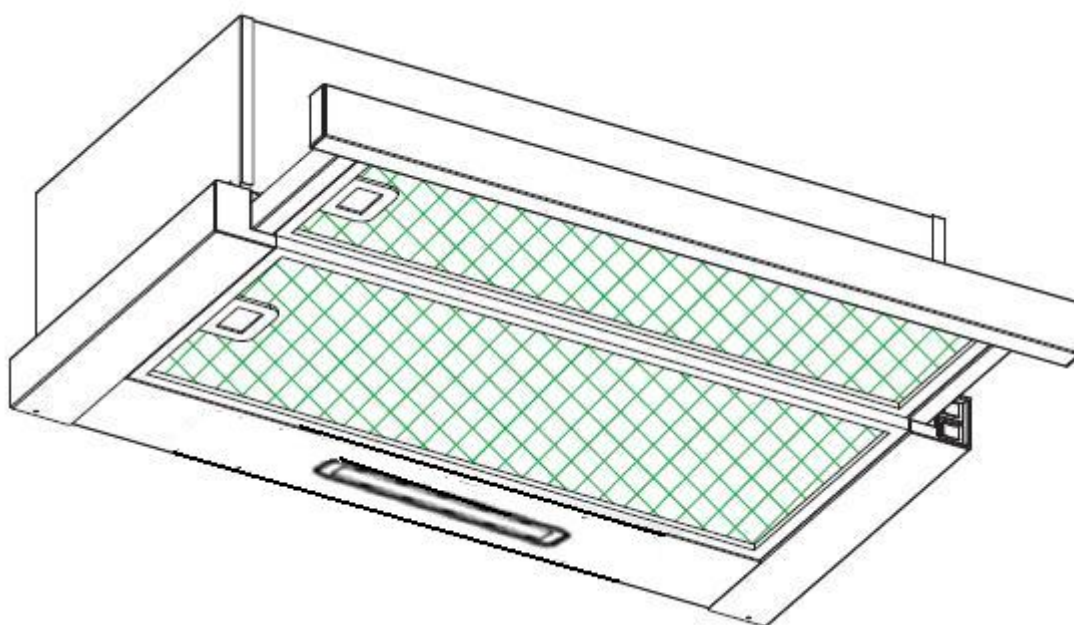
- (1) Install the cooker hood in a proper place where there is efficient ventilation.
- (2) Clean the cooker hood regularly so as not to block the airway.
- (3) Remember to switch off the cooker hood light after cooking.
- (4) Remember to switch off the cooker hood after cooking.

INFORMATION FOR DISMANTLING

Do not dismantle the appliance in a way which is not shown in the user manual. The appliance could not be dismantled by user. At the end of life, the appliance should not be disposed of with household waste. Check with you Local Authority or retainer for recycling advice.

Hotte aspirante

Manuel d' instruction



Sommaire

1.....	Consignes de sécurité
2.....	Installation
3.....	Commencez à utiliser votre hotte aspirante
4.....	Dépannage
5.....	Entretien et nettoyage
6.....	Protection de l' environnement

CONSIGNES DE SÉCURITÉ

Ce manuel explique comment installer et utiliser correctement votre hotte aspirante. Veuillez le lire attentivement avant toute utilisation même si vous connaissez bien le produit. Le manuel doit être conservé en lieu sûr pour pouvoir le consulter en cas de besoin.

À ne jamais faire :

- Ne tentez pas d'utiliser la hotte aspirante sans les filtres à graisse ou si les filtres sont excessivement encrassés !
- Ne l'installez jamais au-dessus d'une cuisinière avec un gril placé en hauteur.
- Ne laissez pas les poêles à frire sans surveillance pendant leur utilisation car les huiles ou les graisses surchauffées pourraient prendre feu.
- Ne laissez jamais des flammes nues sous la hotte aspirante.



- Si la hotte aspirante est endommagée, n'essayez pas de l'utiliser.
- Ne flambez rien sous la hotte aspirante.
- ATTENTION : Les parties accessibles peuvent devenir chaudes lors de l'utilisation avec des appareils de cuisson.
- La distance minimale entre la surface de support pour les récipients de cuisson sur la plaque de cuisson et la partie la plus basse de la hotte aspirante. (Quand la hotte aspirante est située au-dessus d'une cuisinière à gaz, cette distance doit être d'au moins 65 cm)
- L'air ne doit pas être évacué dans un conduit utilisé pour les fumées provenant d'appareils de combustion à gaz ou fonctionnant avec d'autres carburants.



À toujours faire :

- Important ! Coupez toujours l'alimentation électrique durant l'installation et l'entretien, comme par exemple quand vous changez une ampoule.
- La hotte aspirante doit être installée conformément aux instructions d'installation et toutes les mesures doivent être respectées.
- Tout le travail d'installation doit être effectué par une personne compétente ou un électricien qualifié.
- Veuillez faire attention quand vous jetez l'emballage. Les enfants pourraient se blesser avec.
- Faites attention aux bords coupants à l'intérieur de la hotte aspirante durant l'installation et le nettoyage.
- Quand la hotte aspirante est située au-dessus d'une cuisinière, la distance minimale entre la surface de support pour les récipients de cuisson sur la plaque de cuisson et la partie la plus basse de la hotte aspirante doit être la suivante :
Cuisinières à gaz : 75 cm
Cuisinières électriques : 65 cm
Cuisinières à charbon ou à mazout : 75 cm
- Vérifiez que les coudes des conduits ne sont pas inférieurs à 90 degrés car cela réduirait l'efficacité de la hotte aspirante.
- Avertissement : Si les vis ou le dispositif de fixation ne sont pas installés conformément à ces instructions, cela peut provoquer des dangers électriques

À toujours faire :

- Placez toujours le couvercle sur les casseroles et les poêles quand vous cuisinez sur une cuisinière à gaz.
- En mode extraction, l'air de la pièce est éliminé par la hotte aspirante. Vérifiez que des mesures de ventilation correctes sont adoptées. La hotte aspirante élimine les odeurs de la pièce mais pas la vapeur.
- La hotte aspirante est réservée à un usage domestique.



- Si le cordon d'alimentation est endommagé, faites-le remplacer par le fabricant, le service après-vente ou un électricien qualifié pour éviter tout risque d'accident.
- Cet appareil peut être utilisé par des enfants âgés de 8 ans et plus et par des personnes à capacités physiques, sensorielles ou intellectuelles réduites ou sans expérience et connaissances, s'ils sont sous une surveillance appropriée ou bien s'ils ont été informés quant à l'utilisation de l'appareil de manière sûre, et s'ils comprennent les risques impliqués. Les enfants ne doivent pas jouer avec l'appareil. Le nettoyage et l'entretien ne doivent pas être effectués par des enfants sans surveillance.



- **Avertissement :** Avant d'accéder aux bornes, il faut débrancher tous les circuits d'alimentation.

À toujours faire :

- **Attention :** L'appareil et ses parties accessibles peuvent devenir chauds durant le fonctionnement. Évitez de toucher les éléments qui chauffent. Les enfants âgés de moins de 8 ans doivent rester à distance à moins d'être surveillés en permanence.
- Il faut disposer d'une ventilation appropriée dans la pièce où la hotte aspirante est utilisée en même temps que d'autres appareils brûlant du gaz ou d'autres carburants.
- Il existe un risque d'incendie si le nettoyage n'est pas effectué conformément aux instructions.
- Les réglementations relatives à l'évacuation de l'air doivent être respectées.
- Nettoyez régulièrement votre appareil en suivant la méthode fournie dans le chapitre ENTRETIEN.
- Pour des raisons de sécurité, veuillez n'utiliser que des vis de fixation ou de montage de la même taille que celle recommandée dans ce manuel d'instruction.
- En ce qui concerne les détails sur la méthode et la fréquence de nettoyage, veuillez vous reporter au paragraphe relatif à l'entretien et au nettoyage dans le manuel d'instruction.
- Le nettoyage et l'entretien ne doivent pas être effectués par des enfants sans surveillance.
- Quand la hotte aspirante et les appareils alimentés par autre chose que de l'électricité fonctionnent simultanément, la pression négative à l'intérieur de la pièce ne doit pas dépasser 4 Pa (4×10^{-5} bar).
- **AVERTISSEMENT :** Risque d'incendie : ne rangez aucun objet sur les surfaces de cuisson.
- Il ne faut pas utiliser de nettoyeur vapeur.
- Ne tentez JAMAIS d'éteindre un incendie avec de l'eau, mais éteignez l'appareil puis couvrez la flamme par exemple avec un couvercle ou une couverture pare-flammes.

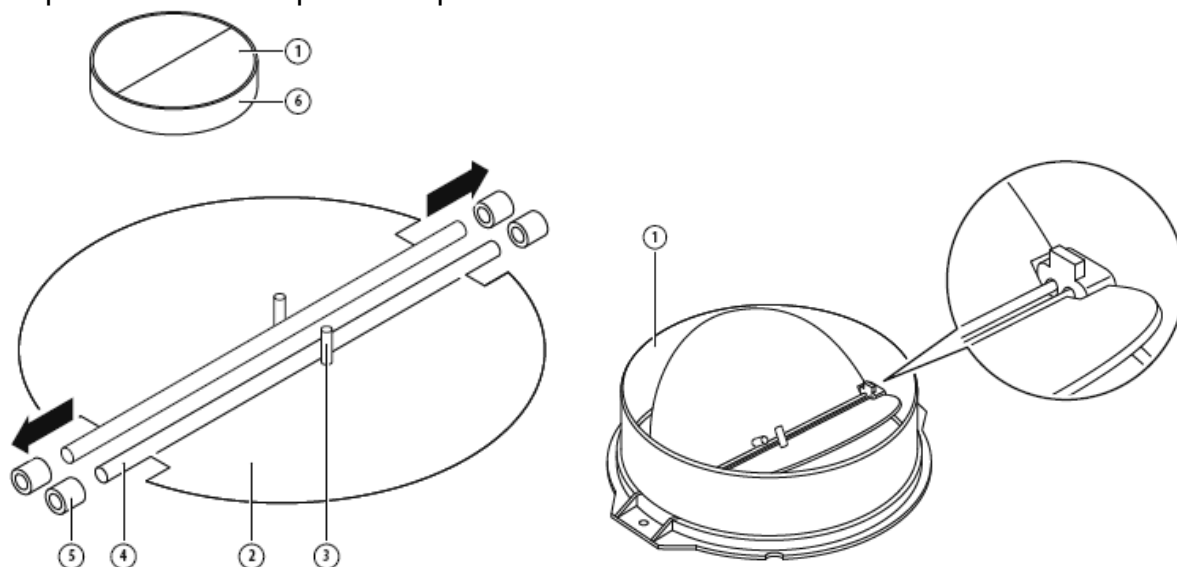
INSTALLATION (ÉVENT À L' EXTÉRIEUR)

MONTAGE DU RABAT EN V (Optionnel)

Si la hotte aspirante n'a pas de rabat en V 1 monté, vous devez monter les moitiés sur son corps. Les images ne montrent qu'un exemple de la façon de monter le rabat en V, la sortie peut varier en fonction des modèles et de la configuration.

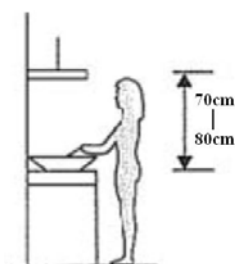
Pour monter le rabat en V 1, vous devez :

- Monter deux moitiés 2 dans le corps 6 ;
- Une cheville 3 doit être dirigée vers le haut ;
- L'axe 4 doit être introduit dans les trous 5 sur le corps ;
- Répétez toutes les opérations pour la seconde moitié.

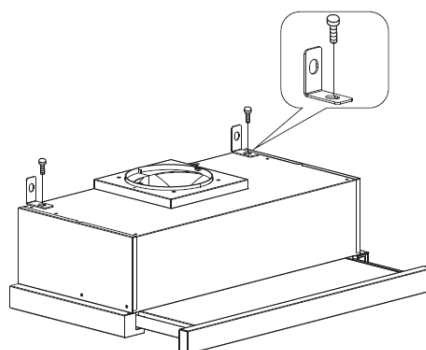


INSTALLATION (murale)

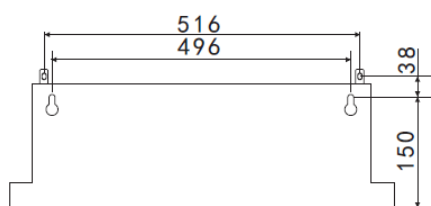
1. Choisissez l'emplacement des trous pour fixer la hotte aspirante.



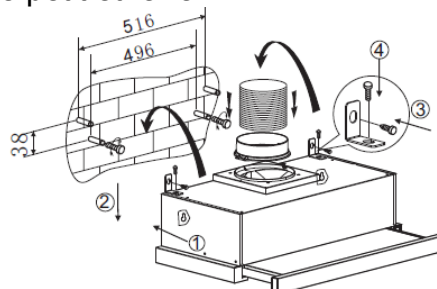
2. Installez l'étrier en L sur le dessus de la hotte avec deux vis (4 mm x 10 mm).



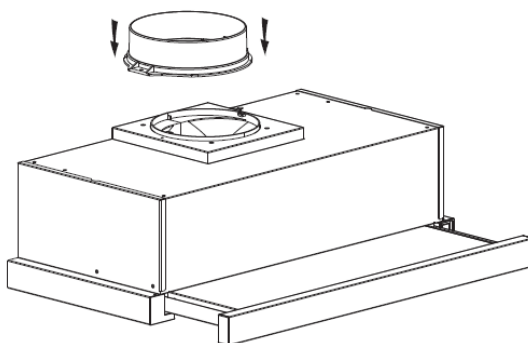
- La hotte aspirante est fixée au mur par 4 vis (4 mm x 30 mm) et des chevilles. Fixez la hotte aspirante sur le mur au niveau de l'arrière de la hotte aspirante avec 2 vis (4 mm x 30 mm) et des chevilles. Puis fixez la hotte aspirante sur le mur avec 2 vis (4 mm x 30 mm) et des chevilles à travers le petit étrier en L.



60CM

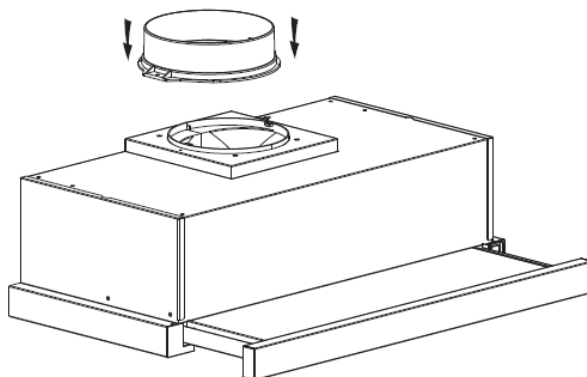


- Fixez le clapet anti-refoulement sur la sortie d'air de la hotte aspirante.

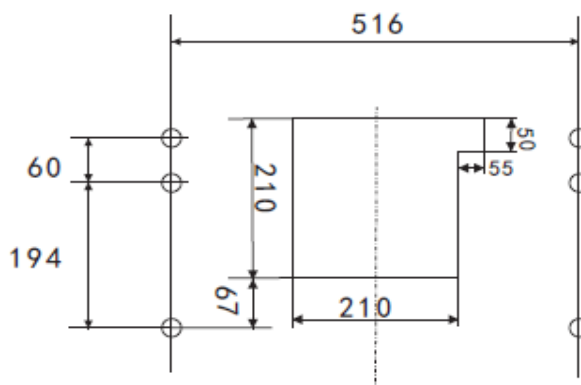


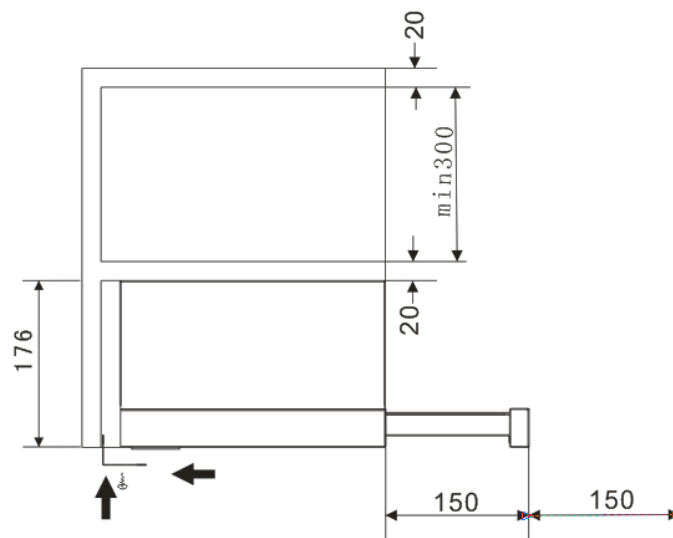
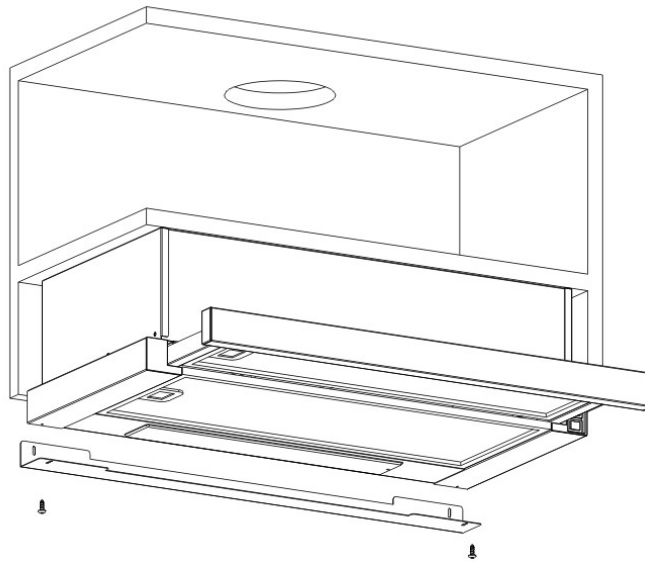
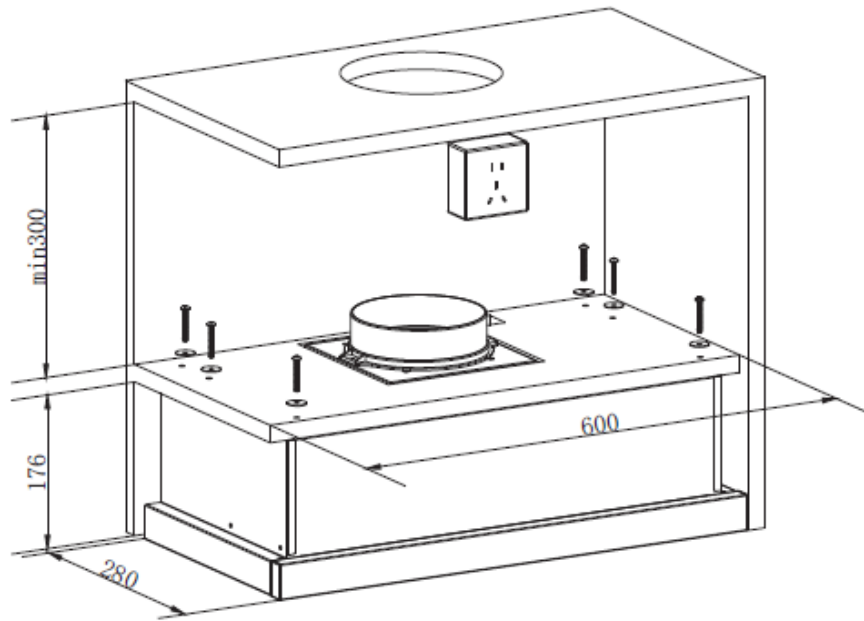
INSTALLATION (sur un meuble)

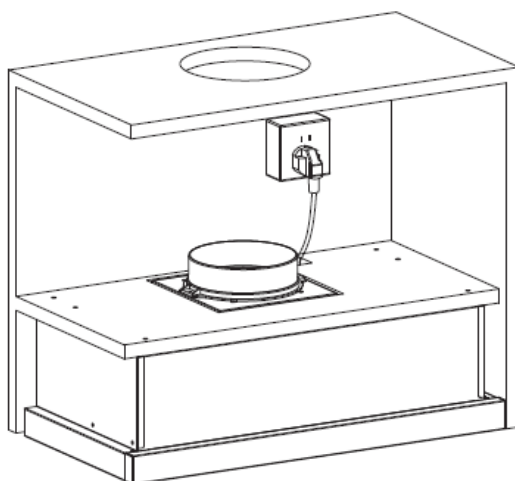
- Fixez le clapet anti-refoulement sur la sortie d'air de la hotte aspirante.



- Montez la hotte aspirante sur le meuble avec les 6 vis (4x35 mm) et les rondelles plates.







S'il y a un espace vide entre le mur et la hotte, vous pouvez installer l'étrier en L sur le bas de la hotte avec deux vis (3 x 12 mm).
L'installation de l'étrier en L est facultative.
Remarque : la gaine extensible n'est pas fournie avec le produit.

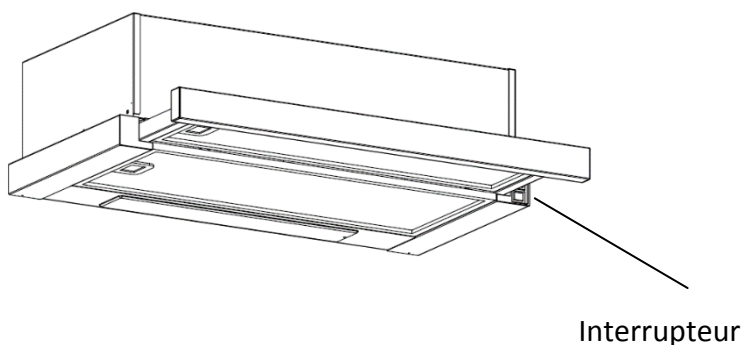
AVERTISSEMENT :



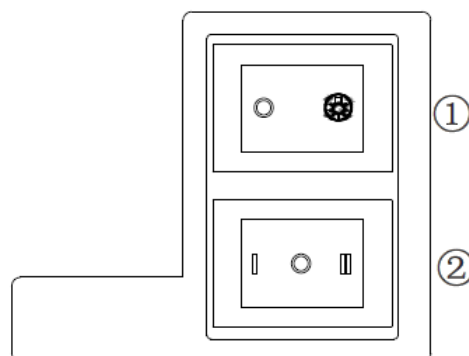
- Pour des raisons de sécurité, veuillez n'utiliser que des vis de fixation ou de montage de la même taille que celle recommandée dans ce manuel d'instruction.
- Si les vis ou le dispositif de fixation ne sont pas installés conformément à ces instructions, cela peut provoquer des dangers électriques.

Commencez à utiliser votre hotte aspirante

Interrupteur basculant



basculant



1. Branchez la fiche dans la prise.
2. Appuyez l'interrupteur ① sur , la lampe s' allumera ; appuyez l' interrupteur ① sur "0" , la lampe s' éteindra.

3. Appuyez l' interrupteur ② sur "I, II" , le moteur s' allumera sur les deux vitesses "basse, élevée" , appuyez-le sur "0" , le moteur s' éteindra.
4. Le courant sera connecté quand le panneau frontal sera débranché. Inversement, le courant sera automatiquement déconnecté.

DÉPANNAGE

Problème	Cause possible	Solution
La lumière est allumée mais le moteur ne fonctionne pas	Le ventilateur est éteint	Sélectionnez une position du commutateur du ventilateur.
	Panne du commutateur du ventilateur	Contactez le centre d'assistance.
	Panne du moteur	Contactez le centre d'assistance.
La lumière ne fonctionne pas, le moteur ne fonctionne pas	Les fusibles de la maison ont sauté	Remettez/Remplacez les fusibles.
	Cordon d'alimentation lâche ou débranché	Rebranchez le cordon à la prise de courant. Mettez sous tension la prise de courant.
Fuite d'huile	Le clapet anti-refoulement et la sortie ne sont pas bien étanches	Ôtez le clapet anti-refoulement et rendez-le étanche avec du mastic.
	Fuite au niveau du raccordement de la cheminée et du couvercle	Ôtez la cheminée et rendez-la étanche.
Les lumières ne fonctionnent pas	Ampoules cassées/défectueuses	Changez les ampoules selon ces instructions.
Aspiration insuffisante	La distance entre la hotte aspirante et la plaque de cuisson au gaz est trop importante	Remontez la hotte aspirante à la bonne distance.
La hotte aspirante est inclinée	La vis de fixation n'est pas suffisamment serrée	Serrez la vis de suspension et placez-la à l'horizontale.

REMARQUE :

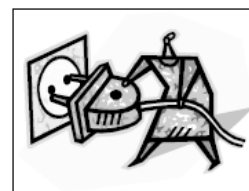


Toute réparation électrique sur cet appareil doit être conforme aux lois locales et nationales. Veuillez contacter le centre d'assistance si vous avez des doutes avant d'effectuer toute réparation. Débranchez toujours l'unité de la source d'alimentation quand vous ouvrez l'unité.

ENTRETIEN ET NETTOYAGE

Attention :

- Avant d'effectuer l'entretien ou le nettoyage, vous devez débrancher la hotte aspirante de l'alimentation. Vérifiez que la



hotte aspirante est éteinte au niveau de la prise murale et que la fiche est débranchée.

- Les surfaces extérieures sont susceptibles d'être rayées et de subir des abrasions, veuillez donc respecter les instructions de nettoyage pour garantir le meilleur résultat possible sans dégât.

GÉNÉRALITÉS

Le nettoyage et l'entretien doivent être effectués quand l'appareil est froid, en particulier pour le nettoyage. Évitez de laisser des substances alcalines ou acides (jus de citron, vinaigre, etc.) sur les surfaces.

ACIER INOXYDABLE

Il faut nettoyer régulièrement (par ex. une fois par semaine) l'acier inoxydable pour garantir une longue durée de vie. Essuyez-le avec un chiffon doux et sec. Un liquide de nettoyage spécialement conçu pour l'acier inoxydable peut être utilisé.

REMARQUE :

Veillez à essuyer l'appareil le long du grain de l'acier inoxydable pour éviter l'apparition de rayures croisées.

SURFACE DU PANNEAU DE COMMANDE

Le panneau de commande peut être nettoyé avec de l'eau savonneuse chaude. Vérifiez que le chiffon est propre et bien essoré avant d'effectuer le nettoyage. Utilisez un chiffon doux et sec pour éliminer l'excès d'humidité restant après le nettoyage.

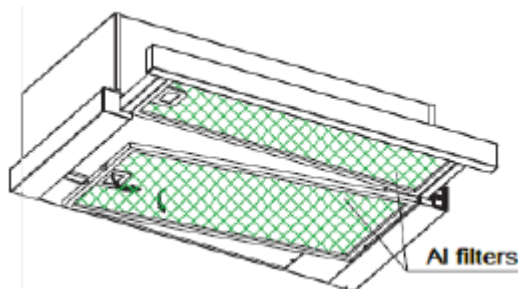
Important

Utilisez des détergents neutres et évitez les produits chimiques agressifs, les détergents ménagers puissants ou les produits contenant des abrasifs, car cela affectera l'aspect de l'appareil et pourrait éliminer les dessins imprimés sur le panneau de commande et rendre la garantie caduque.

FILTRES À TAMIS À GRAISSE

Les filtres à tamis peuvent être nettoyés à la main. Plongez-les pendant près de 3 minutes dans de l'eau avec un détergent pour dissoudre la graisse, puis brossez-les délicatement avec une brosse douce. N'exercez pas une pression trop importante pour éviter de les endommager. (Laissez-les sécher naturellement sans les placer en plein soleil)

Les filtres doivent être lavés séparément des couverts et des ustensiles de cuisine. Il est conseillé de ne pas utiliser un agent de rinçage.



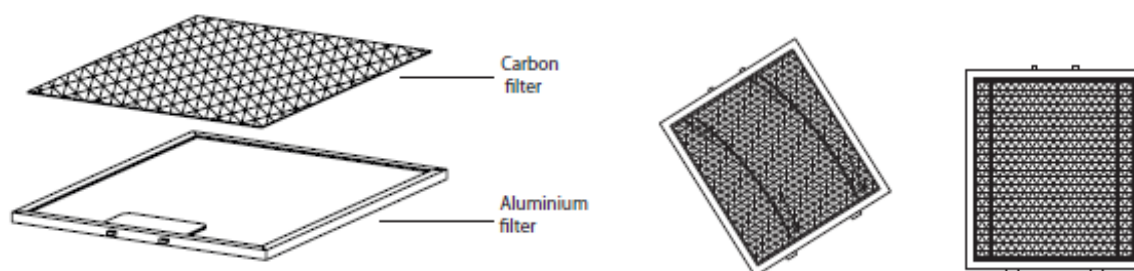
INSTALLATION DES FILTRES À TAMIS À GRAISSE

- Pour installer les filtres, suivez ces quatre étapes :
 - Inclinez le filtre pour l'introduire dans les fentes à l'arrière de la hotte ;
 - Appuyez sur le bouton situé sur la poignée du filtre ;
 - Relâchez la poignée une fois que le filtre est mis en place ;
 - Répétez cette opération pour installer tous les filtres.

FILTRE À CHARBON

Les filtres à charbon actif sont utilisés pour absorber les odeurs. Les filtres à charbon actif doivent normalement être changés tous les trois ou six mois, selon le type d'utilisation de la cuisine. La procédure d'installation des filtres à charbon actif est la suivante.


1. Placez le filtre à charbon sur la face arrière du filtre en aluminium.
2. Insérez le fil d'acier dans le cadre du filtre en aluminium, un de chaque côté. Vous devez le plier pour l'insérer à l'autre extrémité du cadre.
3. Assurez-vous que le fil d'acier fixe le filtre à charbon sur le filtre en aluminium.



REMARQUE :

- Assurez-vous que le filtre est bien verrouillé. Sinon, il pourrait se détacher et devenir dangereux.
- Quand le filtre à charbon actif est fixé, la puissance d'aspiration diminue.

REMPACEMENT DE L'AMPOULE

<p>Important :</p> 	<ul style="list-style-type: none">✧ L'ampoule doit être remplacée par le fabricant, le service après-vente ou d'autres personnes qualifiées.✧ Coupez toujours le courant avant d'effectuer toute opération sur l'appareil. Quand vous manipulez l'ampoule, assurez-vous qu'elle ait entièrement refroidi avant tout contact direct avec les mains.✧ Quand vous manipulez les ampoules, faites-le avec un chiffon ou des gants pour éviter tout contact entre de la transpiration et l'ampoule car cela peut réduire la durée de vie de l'ampoule.
--	---

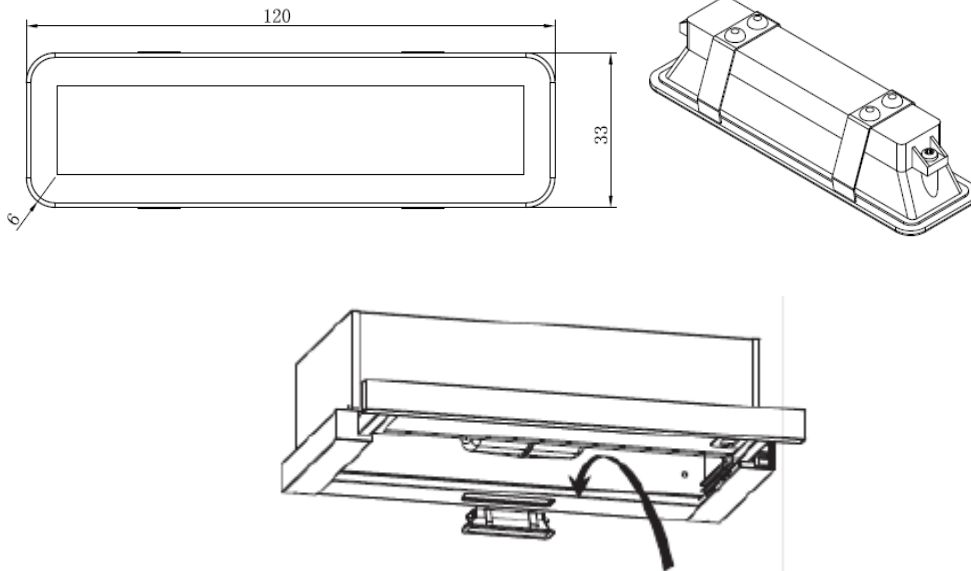
(1) Éteignez l'appareil et débranchez-le.

(2) Faites glisser la partie avant de la hotte aspirante.

(3) Il faut d'abord détacher le filtre en aluminium. Appuyez sur le verrou et tirez-le vers le bas.

(4) Remplacez par le même type d'ampoule : LED 230 V~50 Hz, MAXI 2,5W

- Le code ILCOS D pour cette lampe est le suivant : DBS-2/65-H-120/33
- Modules LED – ampoule rectangulaire
- Puissance maxi : 1x2 W
- Plage de tension : ca 110-240 V
- Dimensions :



PROTECTION DE L' ENVIRONNEMENT



Le symbole de la poubelle barrée est apposé sur ce produit. Cela veut dire que ce produit ne doit pas être jeté avec les ordures ménagères mais doit être apporté à un centre de collecte sélective conformément à la Directive 2012/19/UE. Il sera ensuite recyclé ou démonté pour réduire au minimum l'impact sur l'environnement car les produits électriques et électroniques sont potentiellement dangereux pour l'environnement et la santé humaine car contenant des substances nocives. Pour de plus amples informations, veuillez contacter les autorités locales ou régionales.



REMARQUE :

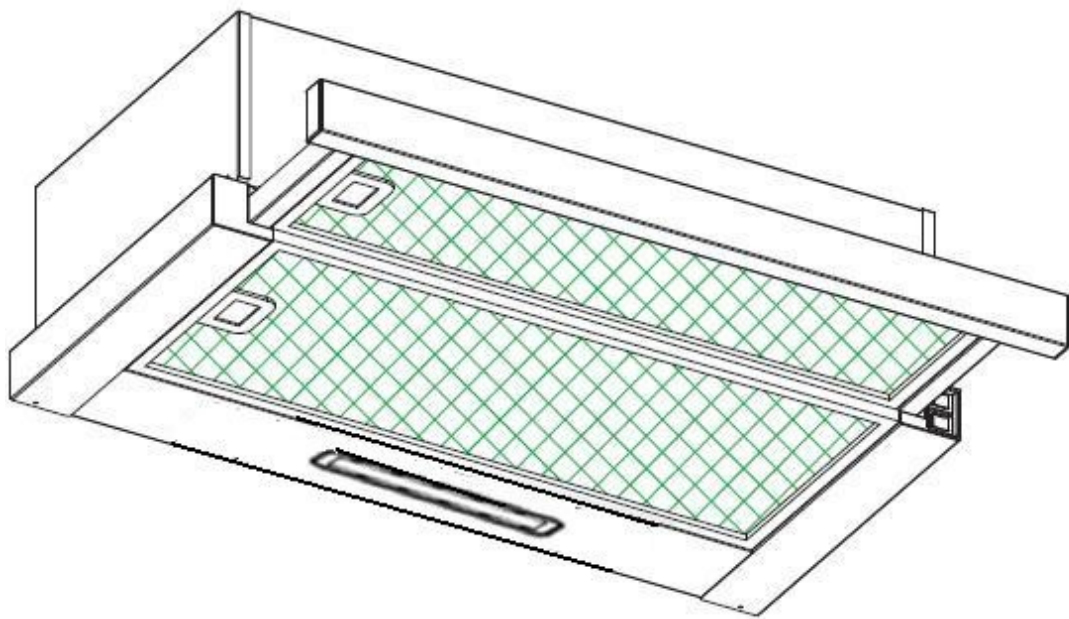
Les indications suivantes montrent comment réduire l'impact total sur l'environnement (par ex. utilisation de l'énergie) du processus de cuisson.

- (1) Installez la hotte aspirante à un endroit approprié disposant d'une ventilation efficace.
- (2) Nettoyez la hotte aspirante régulièrement de manière à ne pas obstruer le conduit d'air.
- (3) N'oubliez pas d'éteindre la lumière de la hotte aspirante après avoir cuisiné.
- (4) N'oubliez pas d'éteindre la hotte aspirante après avoir cuisiné.

INFORMATIONS POUR LE DÉMONTAGE

Ne démontez pas l'appareil autrement que ce qui est indiqué dans le manuel d'utilisation. L'appareil ne doit pas être démonté par l'utilisateur. À la fin de sa durée de vie, l'appareil ne doit pas être jeté avec les ordures ménagères. Adressez-vous aux autorités locales ou au revendeur pour connaître la méthode de recyclage.

Páraelszívó Kezelési útmutatója



Tartalom

1.....	Biztonsági utasítások
2.....	Beszereles (külső kivezetőnyílásra)
3.....	A páraelszívó használata
4.....	Hibaelhárítás
5.....	Karbantartás és tisztítás
6.....	Környezetvédelem

Biztonsági utasítások

Ez az útmutató a páraelszívó szakszerű beszerelését és kezelését ismerteti, kérjük, gondosan olvassa el, mielőtt a készüléket használatba venné – még akkor is, ha ismeri a terméket. Tartsa az útmutatót biztonságos helyen, hogy később bármikor elővehesse.

Ezt az útmutatót más formátumban is elérheti, pl. webhelyünkön vagy kérésre DVD formátumban.

Tiltások:

- Soha ne használja a páraelszívót a szűrők nélkül vagy túlságosan zsíros szűrőkkel!
- Ne szerelje magasított grillsütővel rendelkező tűzhely fölé.
- Használat közben ne hagyja felügyelet nélkül a serpenyőket, mert a forró olaj vagy zsír tüzet okozhat.
- Ne hagyjon nyílt lángot a páraelszívó alatt.



- Ha a páraelszívó megsérül, ne használja.
- Ne flambírozzon a páraelszívó alatt.
- FIGYELJEN AZ ALÁBBIAKRA: A hozzáférhető részek felforrósodhatnak, amikor főzőberendezésekkel használják őket.
- A minimális távolság a tűzhelyen elhelyezett főzőedények és a szagelszívó-berendezés legalacsonyabb pontja között. (Ha a páraelszívó gáztűzhely felett található, ennek a távolságnak legalább 65 cm-nek kell lennie)
- Levegőt tilos olyan kürtőn keresztül kiengedni, amelyet gázzal vagy más üzemanyaggal működő készülékek füstjének elvezetésére használnak.



Előírások:

- Fontos! Karbantartáskor (például az égő kicserélésekor) és az üzembe állításkor mindig kapcsolja le az elektromos hálózatot.
- A páraelszívót az üzembe állítási útmutatónak megfelelően, a helyigény felmérését követően szerelje be.
- A beszerelési munkákat hozzáértő személy vagy képzett villanyszerelő végezze.
- Gondoskodjon a szükségtelenné vált csomagolóanyag megfelelő elhelyezéséről. Gyermekekre veszélyes.
- Figyeljen a páraelszívó belsejében lévő éles szélékre – különösen a beszerelés és a tisztítás során.
- Ha a páraelszívót gáztűzhely fölött helyezi el, a tűzhelyen elhelyezett főzőedények helye és a páraelszívó legalacsonyabb pontja közötti minimális távolság legyen:
Gáztűzhely esetén: 75 cm
Elektromos tűzhely esetén: 65 cm
Szén- vagy olajtűzhely esetén: 75 cm
- Ügyeljen arra, hogy a csővezeték ne hajlítsa meg 90 foknál nagyobb szögben, mert ez ronthatja a páraelszívó hatékonyságát.
- Vigyázat: Ha az eszköz vagy a csavarok rögzítése nem az útmutató szerint történik, fennáll az áramütés veszélye.
- Vigyázat: Mielőtt hozzáférne a csatlakozóvégekhez, az összes betápláló áramkört le kell csatlakoztatni.

Előírások:

- Mindig rakjon fedőt az edényekre és a serpenyőkre, ha a gáztűzhelyen süt vagy főz.
- Kiszívási üzemmódban a páraelszívó kiszívja a levegőt a szobából. Kérjük, gondoskodjon a megfelelő szellőzésről. A páraelszívó a szagokat távolítja el a szobából, a gőzt nem.
- A páraelszívó kizárólag házi használatra készült.



- Ha a tápkábel megsérül, a kockázatok elkerülése végett a gyártó által megadott márkaszerviznek vagy megfelelően képzett szakembernek kell gondoskodnia a cseréjéről.
- A készüléket 8 év fölötti gyermekek, csökkent fizikai, érzékszervi és mentális képességekkel rendelkező, illetve kellő tapasztalattal nem rendelkező személyek, csak felügyelet mellett, illetve akkor használhatják, ha már rendelkeznek a készülék biztonságos használatára és a kockázatokra vonatkozó tudással. Gyermekek ne játsszanak a készülékkel. A tisztítást és a karbantartást gyermekek nem végezhetik felügyelet nélkül.



- **Vigyázat:** Mielőtt hozzáférne a csatlakozóvégekhez, az összes betápláló áramkört le kell csatlakoztatni.

Előírások:

- Figyeljen az alábbiakra: A készülék és a hozzáférhető részei felforrósodhatnak használat közben. Ne nyúljon a felmelegedő részekhez. 8 évesnél fiatalabb gyermekek csak akkor menjenek a készülék közelébe, ha folyamatos felügyelet alatt állnak.
- Ha egyszerre használja a szagelszívót és a tűzhelyet (legyen az gáztűzelésű vagy másmilyen), megfelelően szellőzzön a helyiség.
- Tűzveszély áll fenn, ha nem az útmutatónak megfelelően végzik a tisztítást.
- A légmentesítést az előírásoknak megfelelően kell elvégezni.
- Időről időre tisztítsa meg a készüléket a KARBANTARTÁS fejezetben megadott módon.
- Biztonsági okokból csak az útmutatóban ajánlott méretű rögzítő- vagy szerelőcsavart használja.
- A tisztítás módjával és gyakoriságával kapcsolatban tekintse át az útmutató karbantartásról és tisztításról szóló fejezetét.
- A tisztítást és a karbantartást gyermekek nem végezhetik felügyelet nélkül.
- Amikor a páraelszívó és a nem villanyárammal működő berendezések egyidejűleg vannak üzemben, akkor a helyiségben a negatív nyomás nem haladhatja meg a 4 Pa-t (4×10^{-5} bar).
- **VIGYÁZAT:** Tűzveszély: ne tároljon semmilyen tárgyat a főzőlap felületén.
- Nem használható gőztisztító.
- Tűz esetén SOHA ne próbálja azt vízzel oltani. Kapcsolja ki a készüléket, majd pl. egy edényfedővel vagy tűzálló takaróval fojtsa el a tüzet.

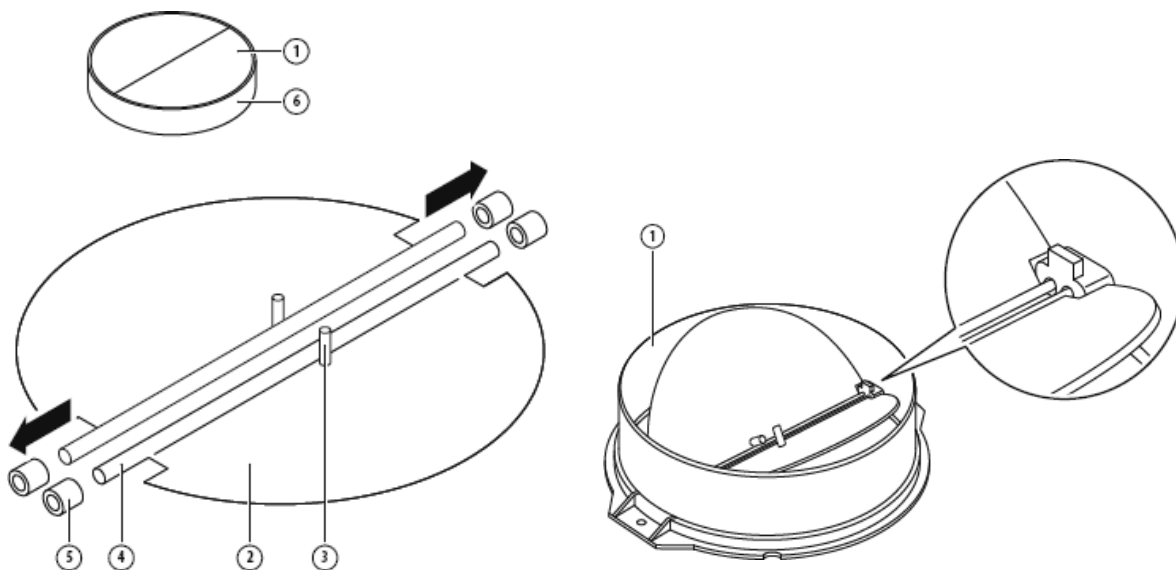
BESZERELÉS (KÜLSŐ KIVEZETŐNYÍLÁSRA)

V-SZELEP BESZERELÉSE (opcionális)

Ha a páraelszívó nem rendelkezik beépített V-szeleppel 1, akkor a félelemeket a burkolatra kell szerelni. A képeken a V-szelep felszerelésére egy példa látható, a kivezetőnyílás a különböző modellek és konfigurációk szerint eltérő lehet.

A V-szelep 1 beszereléséhez:

- Szerelje fel a félelemeket 2 a burkolatra 6
- a csapot 3 felülre kell igazítani;
- a tengelyt 4 a burkolaton található furatokba 5 kell behelyezni;
- ismételje meg ezeket a műveleteket a másik féleleмен is

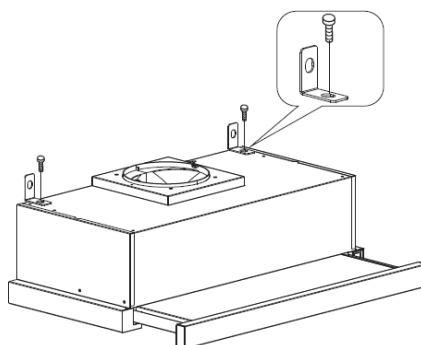


BESZERELÉS (falra szerelés)

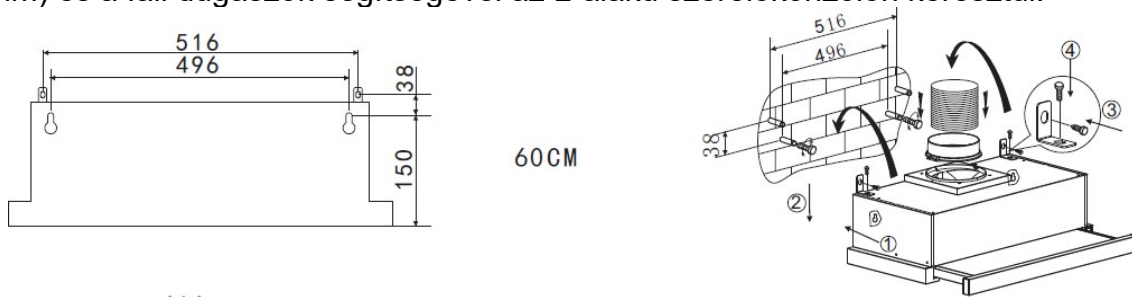
1. Határozza meg a páraelszívót rögzítő furatok helyét.



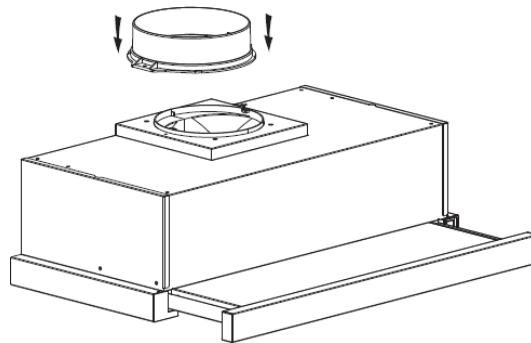
2. Szerelje fel az L-alakú szerelőkonzolt a páraelszívó tetejére két csavarral (4 mm x 10mm).



3. A páraelszívót 4 csavarral (4mm x 30mm) és fali dugaszokkal kell a falra szerelni. A páraelszívót a páraelszívó hátulján lévő 2 csavar (4 mm x 30mm) és a fali dugaszok segítségével szerelje a falra. Aztán szerelje a páraelszívót a falra a 2 csavar (4 mm x 30mm) és a fali dugaszok segítségével az L-alakú szerelőkonzolon keresztül.

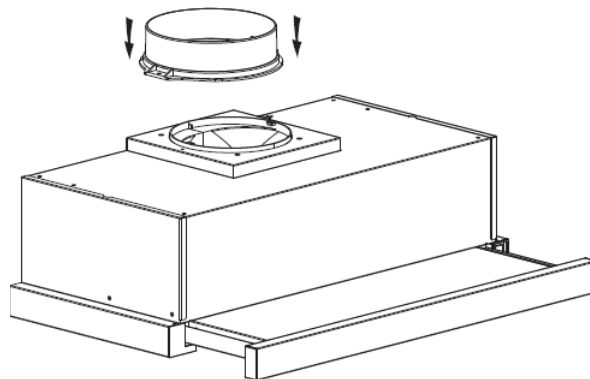


4. Rögzítse az egyutas szelepet a páraelszívó kivezetőnyílásához.

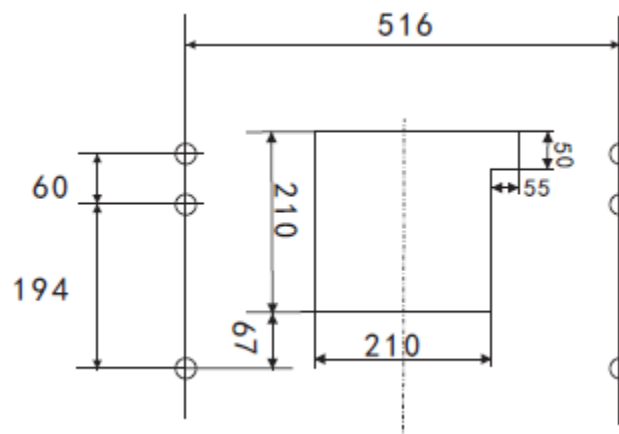


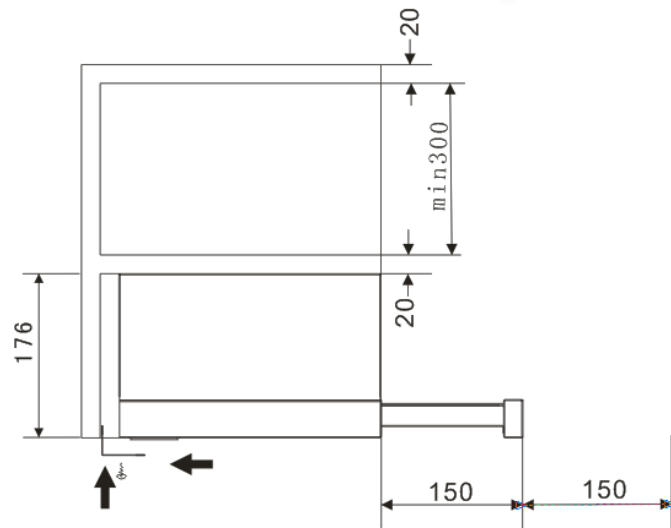
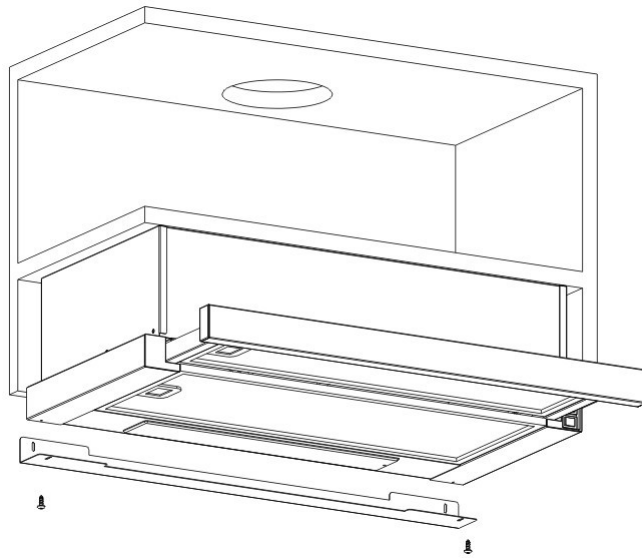
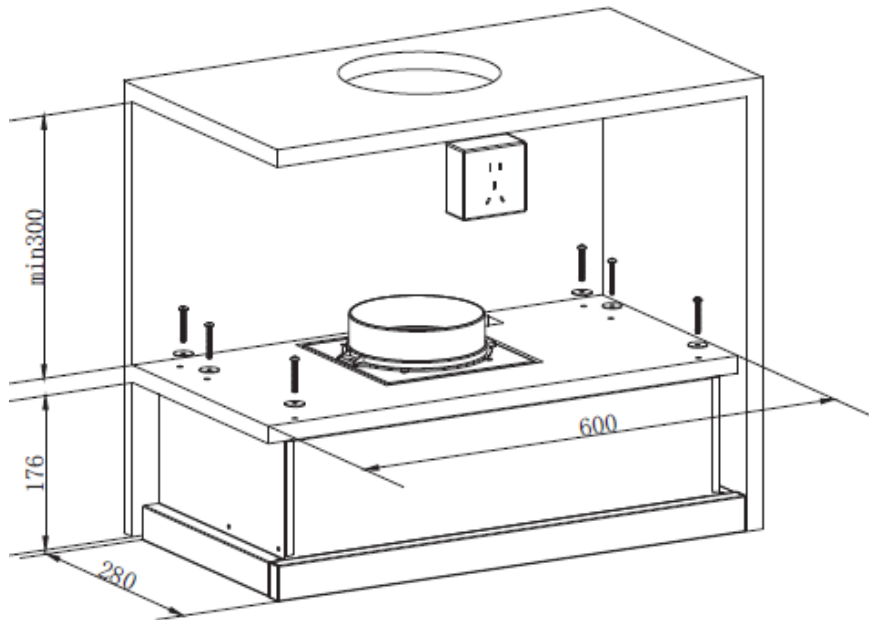
BESZERELÉS (szekrénybe szerelés)

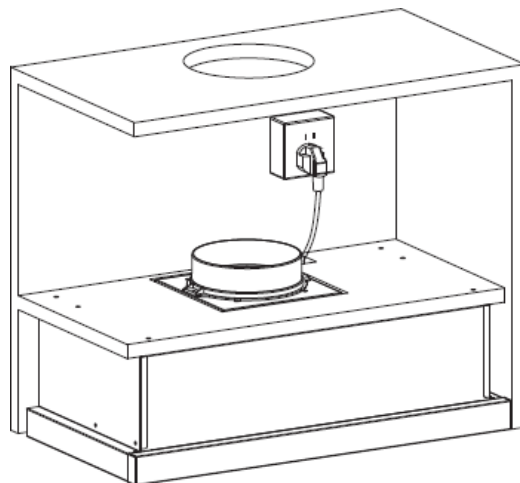
1. Rögzítse az egyutas szelepet a páraelszívó kivezetőnyílásához.



2. A páraelszívót 6 csavar (4x35mm) és fali alátétek segítségével szerelheti szekrénybe.







Ha a fal és a páraelszívó között rés van, akkor a páraelszívó aljára szerelheti az L-alakú szerelőkonzolt két csavar (3 x 12 mm) segítségével.

Az L-alakú szerelőkonzol felszerelése nem kötelező. Megjegyzés: A hosszabbítócső nem a termékkel szállított csomag része.

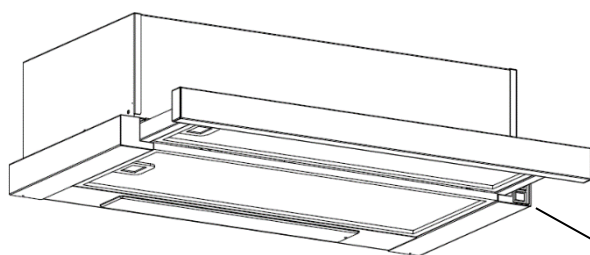
VIGYÁZAT:



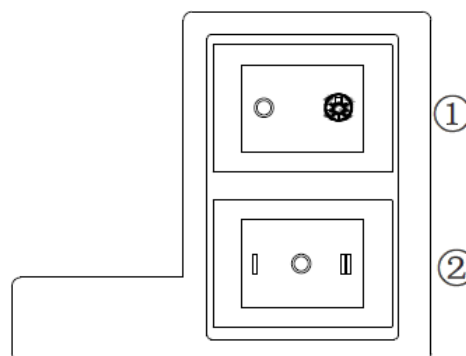
- Biztonsági okokból csak az útmutatóban ajánlott méretű rögzítő- vagy szerelőcsavart használja.
- Ha az eszköz vagy a csavarok rögzítése nem az útmutató szerint történik, fennáll az áramütés veszélye.

A páraelszívó használata

Billenőkapcsoló



Billenőkapcsoló



1. Illessze a tápkábelvéget az aljzatba.
2. Ha a kapcsolót ① lenyomja, akkor a lámpa bekapcsol; ha a kapcsolót ① „0” állásba billenti, akkor a lámpa kikapcsol.
3. Ha a kapcsolót ② „I, II” állásba kapcsolja, akkor „alacsony világítás” beállítással két fokozatba kapcsolhatja, ha „0” állásba állítja, akkor a motor kikapcsol.
4. Az első panel kihúzásakor bekapcsol a készülék. Annak visszatolásakor automatikusan kikapcsol.

HIBAELEHÁRÍTÁS

Hiba	Lehetséges ok	Megoldás
A lámpa világít, de a motor nem működik	A ventilátor kapcsolóját lekapcsolták	Válassza ki a ventilátorkapcsoló állását
	A ventilátorkapcsoló meghibásodott	Forduljon a szervizközponthoz.
	A motor meghibásodott	Forduljon a szervizközponthoz.
A világítás nem működik, a motor nem kapcsol be	A burkolati biztosítékok kiégtek	Állítsa vissza/cserélje ki a biztosítékokat
	A tápkábel kilazult vagy levált	Rögzítse vissza a kábelt az aljzathoz. Kapcsolja be az aljzatot
Olajszivárgás	Az egyutas szelep és a kivezetőnyílás nincs megfelelően szigetelve	Vegye le az egyutas szelepet és szigetelje be.
	Szivárgás a kürtőcsatlakozásból és a burkolatból	Vegye le a kürtőt és szigetelje be.
A lámpák nem működnek	Törött/meghibásodott lámpabúrák	Cserélje ki a búrákat az utasítás szerint.
Elégtelen beszívás	A páraelszívó és a gáztűzhely közötti távolság túl nagy	Helyezze át a páraelszívót megfelelő távolságra.
A páraelszívó megdőlt	A rögzítőcsavar nincs kellőképp megfeszítve	Húzza meg a kilazult csavart és állítsa vízszintesbe.



MEGJEGYZÉS:

A készüléken végzendő villamossági javításoknak meg kell felelniük a helyi, állami és szövetségi jogszabályoknak. Kérjük, forduljon a szervizközponthoz, ha kételye merül fel a fenti műveletekkel kapcsolatban. Az egység felnyitása előtt mindig csatlakoztassa le a készüléket az elektromos áramellátásról.

KARBANTARTÁS ÉS TISZTÍTÁS

Figyelem:

- Karbantartási vagy tisztítási műveletek előtt a páraelszívót le kell csatlakoztatni az elektromos áramellátásról. Ügyeljen arra, hogy a páraelszívó a fali aljzathoz ki legyen kapcsolva és a csatlakozóvég le legyen választva.
- A külső felület megkarcolódhatnak és súrlódástól megsérülhetnek, ezért tartsa be a tisztítási utasításokat, hogy a károsodás nélkül a lehető legjobb eredményt érje el.



ÁLTALÁNOS

A tisztítást és karbantartást lehűlt készüléken végezze – különösen tisztítás esetén. Gondoskodjon arról, hogy a felületekre ne folyhassanak savas vagy lúgos anyagok (citromlé, ecet, stb.).

ROZSDAMENTES ACÉL

A rozsdamentes acélt rendszeresen meg kell tisztítani (pl. hetente) a hosszú élettartam biztosítása érdekében. Szárítsa meg egy tiszta és puha törölkendővel. Speciális, rozsdamentes acél felületek tisztítására szolgáló folyadék használata ajánlott.

MEGJEGYZÉS:

Ügyeljen arra, hogy a törléskor a rozsdamentes acél szálirányát kövesse, hogy ne keletkezzenek harántirányú karcok.

A VEZÉRLŐPANEL FELÜLETE

A beépített vezérlőpanel szappanos vízzel tisztítható. Ügyeljen arra, hogy a tisztításhoz használt törölkendő tiszta és száraz legyen. Száraz és puha törölkendővel távolítsa el a tisztítás után hátramaradt felesleges nedvességet.

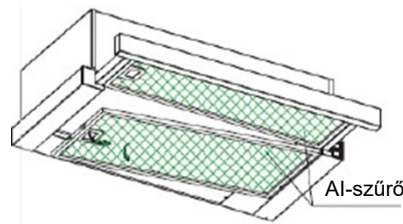
Fontos

Semleges kémhatású tisztítószeret használjon, és kerülje az agresszív vegyi anyagokat, erős háztartási tisztítószeret vagy a dörzsölőanyagokat tartalmazó termékeket, mivel ez hatással lehet a készülék megjelenésére és eltávolíthatja a vezérlőpanelen lévő feliratokat, továbbá a gyártói jótállás érvénytelenné válásához vezethet.

ZSÍRSZŰRŐK

A zsírszűrőket kézzel kell kitisztítani. Áztassa a szűrőket körülbelül 3 percig zsíroldószeres vízbe, majd finoman dörzsölje át őket egy puha kefével. Ne fejtessen ki túl nagy nyomást, nehogy kárt okozzon bennük. (Hagyja száradni a szűrőket közvetlen napfénytől távol tartva.)

A szűrőket a konyhai edényektől és eszközöktől külön kell mosni. Lehetőség szerint ne használjon öblítőszeret.



ZSÍRSZŰRŐK BESZERELÉSE

- A szűrők beszereléséhez az alábbi négy lépést kövesse.
- Állítsa a szűrőt a páraelszívó hátulján lévő foglalatokba.
- Nyomja meg a szűrő szárán lévő gombot.
- Engedje el a szárát, amikor a szűrő az ülékébe került.
- Ismétlje meg a fenti lépéseket az összes szűrőn.

SZÉNSZŰRŐ

Az aktív széniszűrő elnyeli a szagokat. Általánosságban az aktívshéniszűrőt három–hat havonta kell cserélni a főzési szokásoktól függően. Az aktívshéniszűrő beszerelése az alábbiak szerint történik.

1. Helyezze a széniszűrőt az alumínium szűrő hátuljára.
2. Helyezze az acéldrótot az alumínium szűrő keretébe, egyet mindegyik oldalra. A keret másik végébe akkor tudja behelyezni, ha meghajlítja.
3. Ügyeljen arra, hogy az acéldrótot az alumínium szűrőbe rögzítse a széniszűrőt.



MEGJEGYZÉS:

- Bizonyosodjon meg róla, hogy a szűrő biztosan zárva van-e. Máskülönben kilazulhat és kárt okozhat a készülékben.
- Amikor az aktív széniszűrő csatlakoztatva van, csökken a szívóerő.

Fontos:



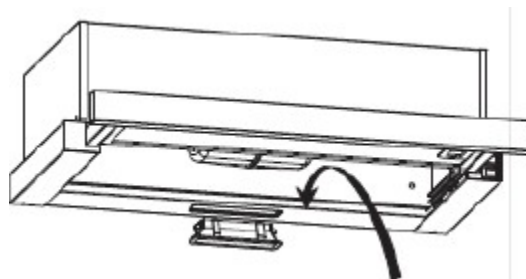
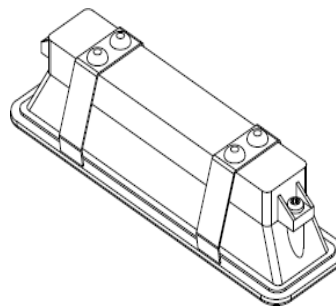
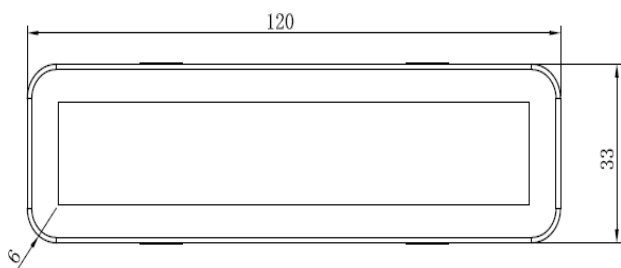
- ✧ Az izzót a gyártónak, szerviznek vagy hasonlóképp képzett személynek kell kicserélnie.
- ✧ A készüléken bármilyen művelet megkezdése előtt mindig kapcsolja le az elektromos áramellátást. Az izzó kezelésekor ügyeljen arra, hogy az izzó teljesen lehűljön, mielőtt kézzel hozzáérne.
- ✧ Az izzó megérintéséhez ruhát vagy kesztyűt használjon, hogy ne kerüljön az izzóra verejték, mert az csökkentheti az égő élettartamát.

IZZÓCSERE

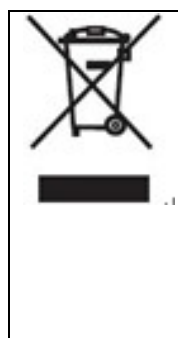
Lámpacsere

Csavarhúzóval lazítsa meg az ST4*8MM önfúró csavart (2 db) a lámpapanelből, majd vegye ki a lámpaszerkezetet. Nyissa fel a vezetékkel csatlakoztatott kapcsolódobozt, csatlakoztassa le a vezetékvéget, majd cserélje ki a lámpát.

- ILCOS D kód ehhez a lámpához: DBS-2/65-H-120/33
- LED-modulok – téglalap alakú lámpa
- Max. teljesítmény: 1X2 W
- Feszültségtartomány: AC 110-240V
- Méretek:



KÖRNYEZETVÉDELLEM



Ez a termék rendelkezik az elektronikus eszközökre vonatkozó szelektív hulladékgyűjtés jelölésével. Ez azt jelenti, hogy a terméket tilos a háztartási hulladékokkal együtt kezelni, illetve a szelektív hulladékgyűjtési rendszert kell használni hozzá (a 2012/19/EU irányelvnek megfelelően). A terméket szétbontják vagy újrahasznosítják, hogy csökkenjen a környezetre gyakorolt hatás, ugyanis az elektronikus termékek – a veszélyesanyag-tartalmuk miatt – veszélyesek lehetnek a környezetre és az emberi egészségre. Ha további tudnivalókra van szüksége, vegye fel a kapcsolatot a helyi vagy a regionális hatóságokkal.

MEGJEGYZÉS:

A következő rész azt ismerteti, hogy csökkenthető a környezetre gyakorolt hatás (a főzési folyamat energiaigénye).

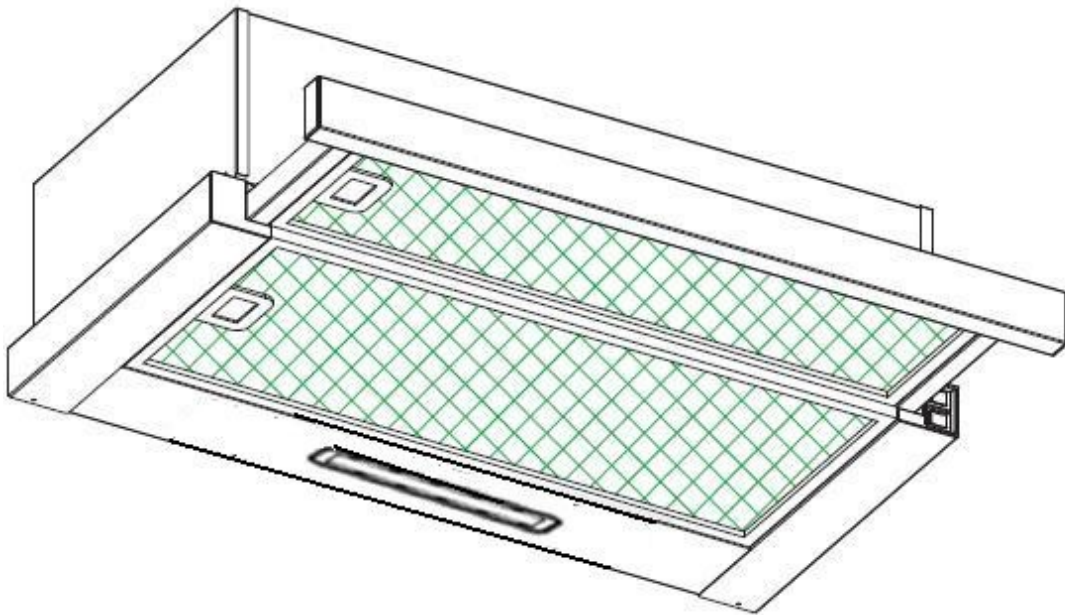
- (1) Olyan helyre szerelje a páraelszívót, ahol biztosított a megfelelő szellőzés.
- (2) Rendszeresen tisztítsa a páraelszívót, így megakadályozhatja a szellőzőnyílások eltömődését.
- (3) Ne felejtse el kikapcsolni a páraelszívó világítását használat után.
- (4) Kapcsolja ki a páraelszívót használat után.

A SZÉTSZERELÉSHEZ SZÜKSÉGES INFORMÁCIÓK

Csak a használati útmutatónak megfelelően szerelje szét a készüléket. A felhasználó nem szerelheti szét a készüléket. A használhatatlanná vált készüléket ne a háztartási hulladék közé dobja. Vegye fel a kapcsolatot a helyi hatóságokkal a megőrzési vagy újrahasznosítási tanácsokért.

Kuhinjska napa

Priručnik s uputama



Sadržaj

1.....	Sigurnosne upute
2.....	Ugradnja (vanjski odušnik)
3.....	Početak rada s kuhinjskom napom
4.....	Rješavanje problema
5.....	Održavanje i čišćenje
6.....	Zaštita okoliša

SIGURNOSNE UPUTE

Ovaj priručnik sadrži upute za pravilnu ugradnju i upotrebu vaše kuhinjske nape. Pažljivo ga pročitajte prije nego što upotrijebite proizvod, čak i ako ste već upoznati s njim. Čuvajte ovaj priručnik na sigurnome mjestu da bi vam i kasnije bio pri ruci.

Ove upute također će biti dostupne u drugom formatu, npr. na našoj mrežnoj stranici ili, na zahtjev korisnika, u formatu poput DVD-a.

Nikad nemojte raditi sljedeće:

- Ne pokušavajte rabiti kuhinjsku napu bez filtera za masnoću ili ako su se filtri pretjerano zamastili!
- Nemojte ugrađivati kuhinjsku napu iznad kuhala s povišenom rešetkom.
- Tijekom uporabe tava za pečenje ne ostavljajte ih bez nadzora jer se pregrijane masti ili ulja mogu zapaliti.
- Nikad ne ostavljajte otvoreni plamen ispod kuhinjske nape.



- Ne pokušavajte upotrijebiti kuhinjsku napu ako je oštećena.
- Nemojte flambirati ispod kuhinjske nape.
- OPREZ: Dostupni dijelovi mogu se zagrijati kad se rabe s uređajima za kuhanje.
- Najmanja udaljenost između potporne površine za posude za kuhanje na površini za kuhanje i najnižeg dijela kuhinjske nape. (Ako se kuhinjska napa nalazi iznad plinskog uređaja, udaljenost mora biti najmanje 65 cm.)
- Zrak se ne smije ispuštati u dimovod koji se rabi za ispušne plinove iz uređaja na plin ili druga goriva.



Obvezno učinite sljedeće:

- **Važno!** Uvijek isključite električno napajanje na glavnom električnom vodu prilikom ugradnje i održavanja, kao npr. prilikom zamjene žarulje.
- Kuhinjsku napu treba ugraditi u skladu s uputama za ugradnju i svim mjerama.
- Samo stručna osoba ili kvalificirani električar mogu obaviti ugradnju.
- Molimo pažljivo zbrinite materijal za pakiranje. On može biti opasan za djecu.
- Pazite na oštre rubove u unutrašnjosti kuhinjske nape, osobito tijekom ugradnje i čišćenja
- Kada se kuhinjska napa nalazi iznad plinskog uređaja, najmanja udaljenost između potporne površine za posude za kuhanje na površini za kuhanje i najnižeg dijela kuhinjske nape mora biti:
Plinska kuhala: 75 cm
Električna kuhala: 65 cm
Kuhala na ugljen ili ulje: 75 cm
- Pazite da lukovi vodova nisu oštrije od 90 stupnjeva jer se tako smanjuje učinkovitost kuhinjske nape.
- **Upozorenje:** Ako ne ugradite vijke ili uređaj za pričvršćivanje u skladu s ovim uputama, može doći do opasnosti sa strujom
- **Upozorenje:** Obvezno isključite uređaj iz svih izvora napajanja prije nego što pristupite terminalima.

Obvezno učinite sljedeće:

- Kad kuhate na plinskom kuhalu, uvijek stavite poklopac na lonce i tave.
- Kada je u načinu rada za isisavanje, zrak u prostoriji uklanja kuhinjska napa. Pobrinite se za pridržavanje prikladnih propisa provjetravanja. Kuhinjska napa uklanja neugodne mirise u prostoriji, ali ne i paru.
- Kuhinjska je napa predviđena samo za uporabu u kućanstvu.



- Ako je oštećen kabel za napajanje, radi izbjegavanja opasnosti, moraju ga zamijeniti proizvođač, ovlašteni agent ili osobe sličnih kvalifikacija.
- Ovaj uređaj smiju rabiti djeca starosti 8 i više godina te osobe smanjenih fizičkih, osjetilnih ili mentalnih sposobnosti ili bez iskustva i znanja ako su pod nadzorom ili ako su dobili upute o uporabi uređaja na siguran način i ako razumiju opasnosti koje uključuje uporaba uređaja. Djeca se ne smiju igrati s uređajem. Djeca bez nadzora ne smiju čistiti niti održavati uređaj.



- Upozorenje: Obvezno isključite uređaj iz svih izvora napajanja prije nego što pristupite terminalima.

Obvezno učinite sljedeće:

- **Oprez:** Uređaj i njegovi dostupni dijelovi mogu se zagrijati tijekom rada. Pazite da ne dodirujete dijelove koji se zagrijevaju. Djeca mlađa od 8 godina trebaju se držati podalje osim ako su pod stalnim nadzorom.
- Ako se kuhinjska napa rabi istovremeno s uređajima na plin ili druga goriva, obavezno je prikladno provjetriti prostoriju.
- Ako se čišćenje ne obavlja u skladu s uputama, postoji rizik od požara
- Treba se pridržavati propisa o ispuštanju zraka.
- Periodično očistite uređaj sljedeći metodu opisanu u poglavlju ODRŽAVANJE.
- Iz sigurnosnih razloga molimo rabite samo pričvrstne ili montažne vijke iste veličine koji se preporučuju u ovom priručniku s uputama.
- Za dodatne informacije o metodi i učestalosti čišćenja pogledajte odjeljak o održavanju i čišćenju u priručniku s uputama.
- Djeca bez nadzora ne smiju čistiti niti održavati uređaj.
- Uslučaju da su kuhinjska napa i uređaji čije napajanje nije električno uključeni istovremeno, negativni pritisak u prostoriji ne smije prijeći 4 Pa (4×10^{-5} bar).
- **UPOZORENJE:** Opasnost od požara: ne spremajte predmete na površine za kuhanje.
- **N**e smije se rabiti parni čistač.
- **NIKAD** nemojte pokušavati ugasiti vatru vodom, već isključite uređaj i pokrijte plamen npr. poklopcem ili vatrootpornom dekom.

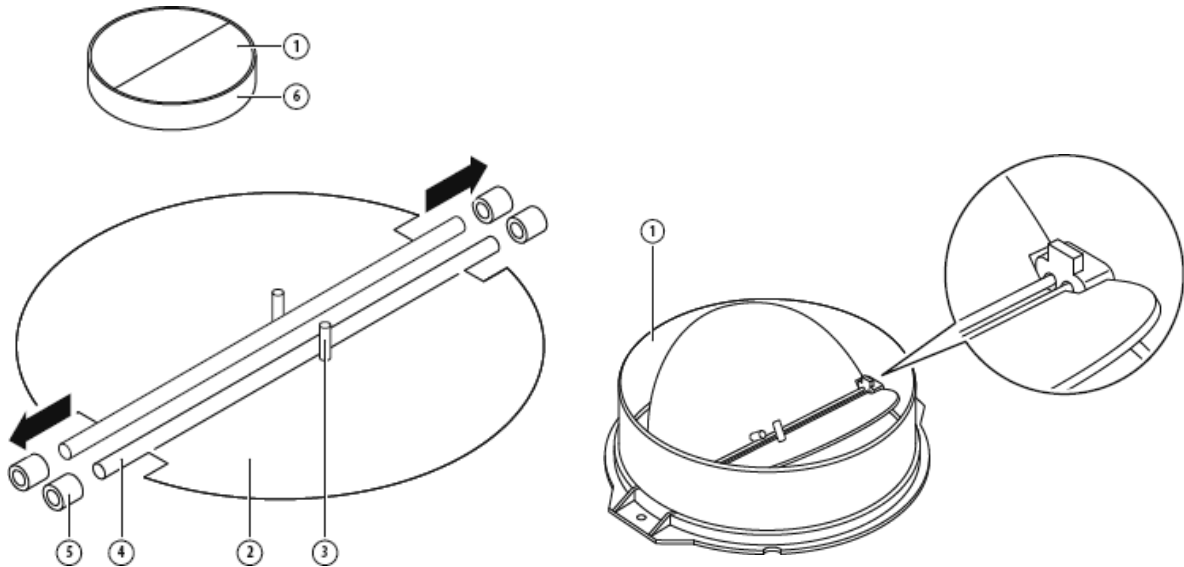
Ugradnja (vanjski odušnik)

MONTAŽA NEPOVRATNOG VENTILA (izborno)

Ako za kuhinjsku napu nije dostupan sastavljeni nepovratni ventil 1, ugradite njegove polovice u kućište. Slike prikazuju samo primjer jednog načina montaže nepovratnog ventila, ispust se može razlikovati ovisno o modelu i konfiguraciji.

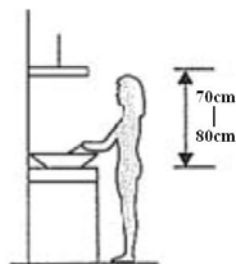
Za montažu nepovratnog ventila 1 postupite na sljedeći način:

- Postavite dvije polovice 2 u kućište 6
- spojnica 3 mora pokazivati prema gore
- ubacite osovinu 4 u otvore kućišta 5
- ponovite ove radnje za drugu polovicu.

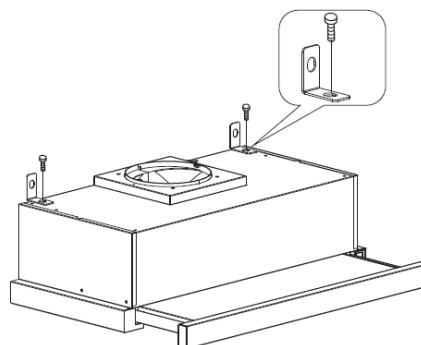


UGRADNJA (pričvršćivanje na zid)

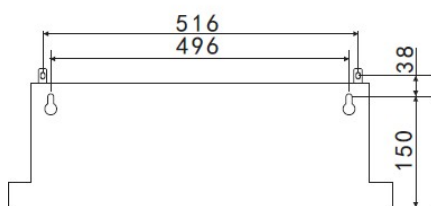
1. Odredite mjesta za otvore za pričvršćivanje kuhinjske nape.



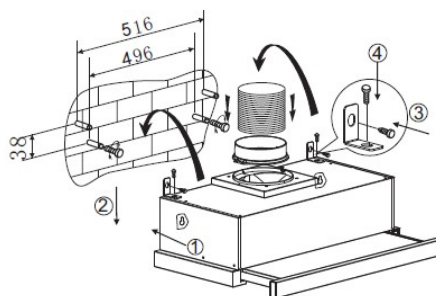
2. Pričvrstite nosače u obliku slova L na gornju površinu kuhinjske nape pomoću dva vijka (4 mm x 10 mm).



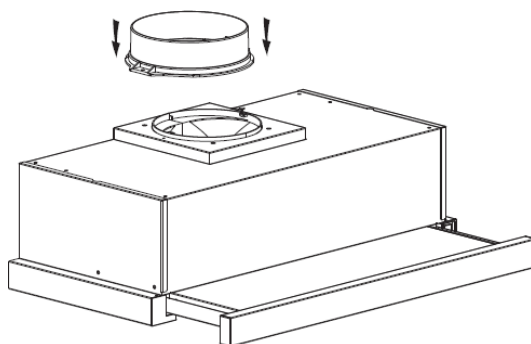
- Kuhinjska napa pričvršćuje se na zid pomoću četiri vijka (4 mm x 30 mm) i tipli za zid. Postavite stražnju stranu kuhinjske nape na zid pomoću dva vijka (4 mm x 30 mm) i tipli za zid. Zatim pričvrstite kuhinjsku napu na zid pomoću dva vijka (4 mm x 30 mm) i tipli za zid koristeći nosače u obliku slova L.



60CM

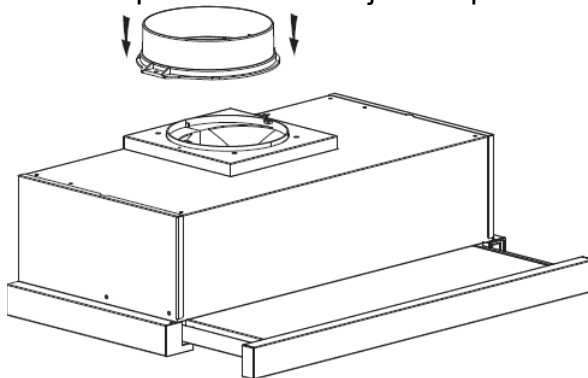


- Pričvrstite nepovratni ventil na ispušni otvor kuhinjske nape.

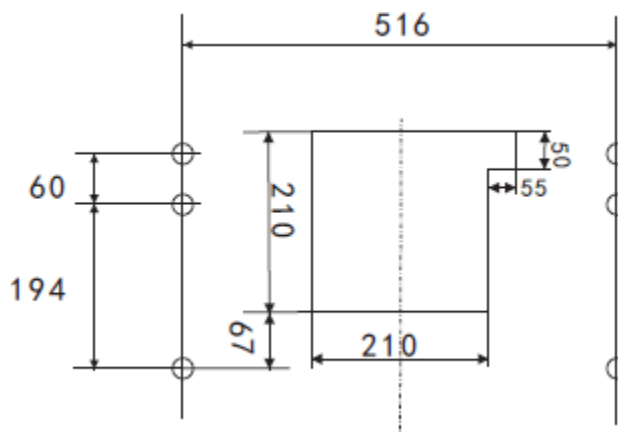


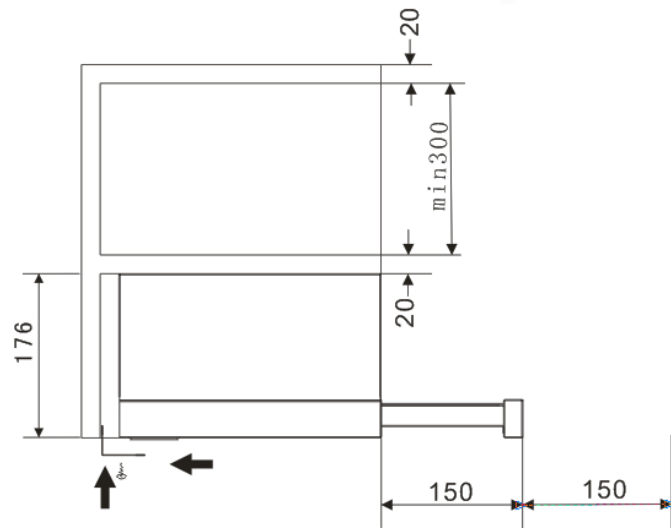
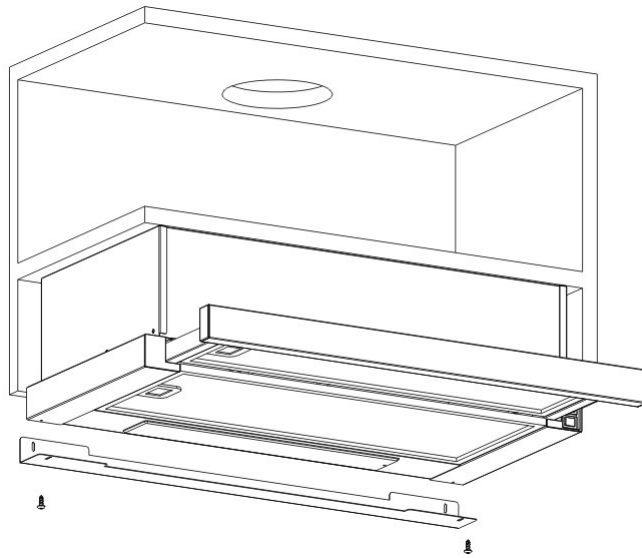
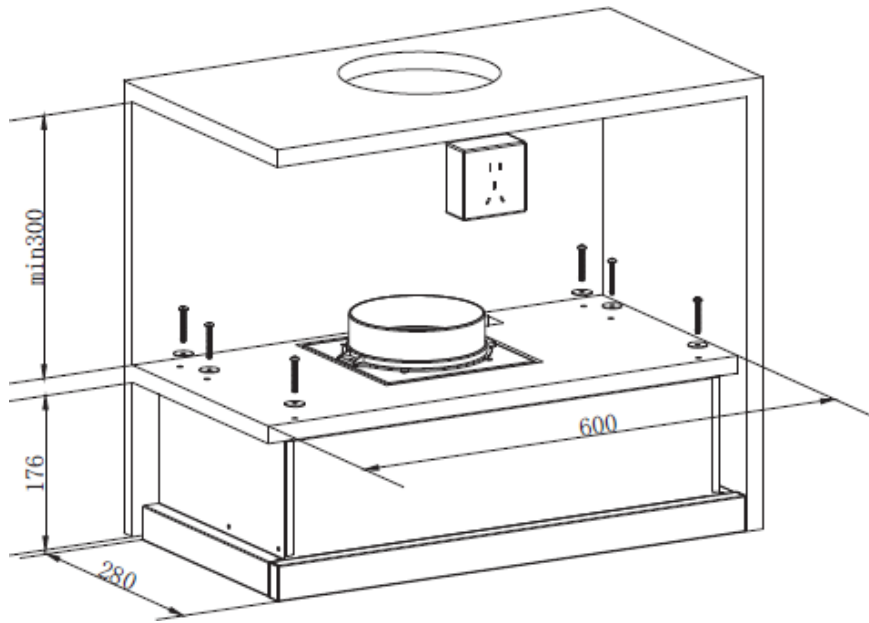
UGRADNJA (ugradnja u ormarić)

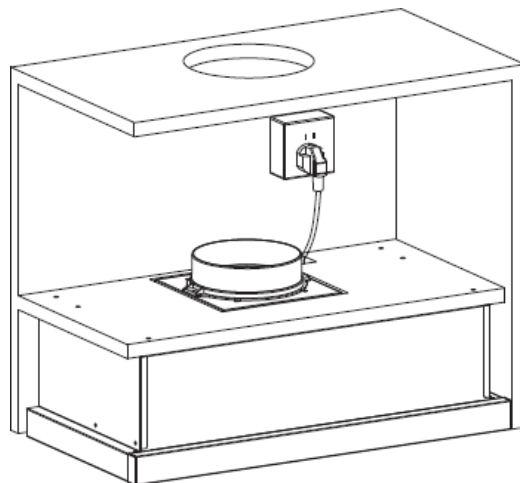
- Pričvrstite nepovratni ventil na ispušni otvor kuhinjske nape.



- Postavite kuhinjsku napu na ormarić pomoću šest vijaka (4 x 35 mm) i ravnih podložaka.







Ako primijetite razmak između zida i kuhinjske nape, možete pričvrstiti nosač u obliku slova L na donju stranu kuhinjske nape pomoću dva vijka (3 x 12 mm).
 Pričvršćivanje nosača u obliku slova L nije obvezno. Napomena: Fleksibilna cijev nije uključena u proizvod.

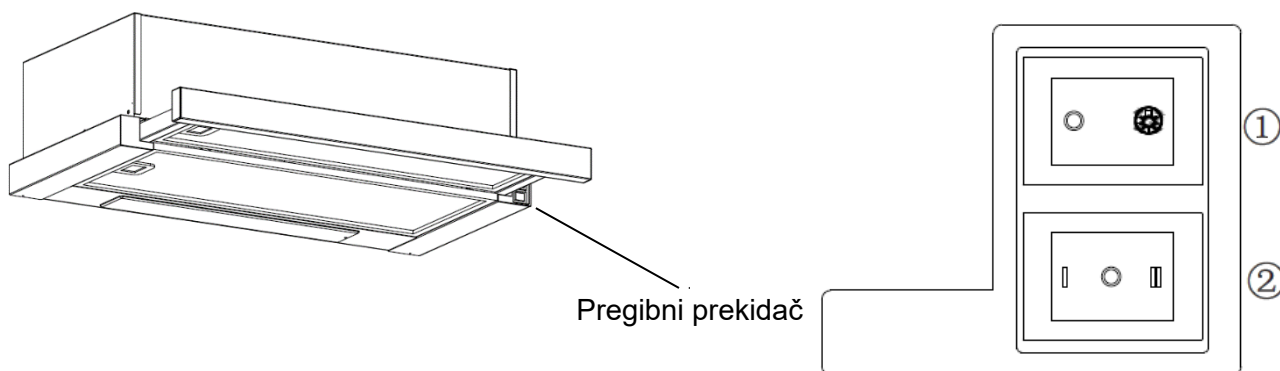
UPOZORENJE:



- Iz sigurnosnih razloga molimo rabite samo pričvrsne ili montažne vijke iste veličine koji se preporučuju u ovom priručniku s uputama.
- Ako ne ugradite vijke ili uređaj za pričvršćivanje u skladu s ovim uputama, može doći do opasnosti sa strujom.

Početak rada s kuhinjskom napom

Pregibni prekidač



1. Utaknite utikač u utičnicu.
2. Ako na prekidaču ① pritisnete, upalit će se svjetlo; ako na prekidaču ① pritisnete „0“, ugasić se svjetlo.
3. Ako na prekidaču ② pritisnete „I, II“, snaga rada motora bit će „niska, visoka“ u dvije brzine, a ako pritisnete „0“, motor će se isključiti.
4. Kada izvučete prednju ploču, napajanje će biti uključeno. U suprotnom će se napajanje automatski isključiti.

RJEŠAVANJE PROBLEMA

Kvar	Mogući uzroci	Rješenje
Svjetlo je upaljeno, ali motor ne radi	Prekidač ventilatora je isključen.	Odredite položaj prekidača ventilatora.
	Prekidač ventilatora ne radi.	Kontaktirajte servisni centar.
	Motor ne radi.	Kontaktirajte servisni centar.
Svjetlo ne radi, ventilator ne radi.	Osigurači u kući/zgradi su pregorjeli.	Ponovno uključite/zamijenite osigurače.
	Kabel za napajanje nije utaknut ili nije pravilno utaknut u utičnicu.	Ponovno utaknite kabel u utičnicu. Uključite utičnicu.
Propuštanje ulja	Nepovratni ventil i ispus nisu čvrsto zabrtvljeni.	Uklonite nepovratni ventil i zabrtvite pogođeno mjesto materijalom za brtvljenje.
	Propuštanje spoja između dimnjaka i poklopca.	Uklonite dimnjak i zabrtvite pogođeno mjesto.
Svjetla ne rade	Pokvarene/neispravne žarulje	Zamijenite žarulje u skladu s ovim uputama.
Nedovoljna snaga usisa	Preveliki je razmak između kuhinjske nape i plinske ploče.	Pomaknite kuhinjsku napu dok ne postignete odgovarajući razmak.
Kuhinjska napa se naginje.	Pričvrtni vijak nije dovoljno čvrst.	Pričvrstite vijak koji visi i postavite ga u horizontalni položaj.



NAPOMENA:

Svi popravci elektronike ovog uređaja moraju biti u skladu s lokalnim, nacionalnim i saveznim zakonima. Ako ste u nedoumici, nazovite servisni centar prije nego što obavite gore navedene radnje. Uvijek isključite jedinicu iz struje prije nego što ju otvorite.

ODRŽAVANJE I ČIŠĆENJE

Oprez:

- Prije održavanja ili čišćenja kuhinjske nape isključite ju iz glavnog izvora za napajanje. Provjerite je li zidna utičnica kuhinjske nape isključena i utikač uklonjen.
- Vanjske površine podložne su ogrebotinama i abrazijama. Pratite upute za čišćenje da biste osigurali najbolji rezultat bez oštećenja.



OPĆENITO

Prije čišćenja i održavanja uređaj se mora ohladiti, naročito kada se radi o čišćenju. Nemojte odlagati lužnate ili kisele tvari (sok od limuna, ocat itd.) na površine.

NEHRĐAJUĆI ČELIK

Potrebno je redovito čišćenje nehrđajućeg čelika (npr. svaki tjedan) radi produljenja životnog vijeka. Osušite površine čistom mekom krpom. Možete koristiti specijalizirani fluid za čišćenje nehrđajućeg čelika.

NAPOMENA:

Obratite pozornost da brišete uzduž površinske strukture nehrđajućeg čelika da biste izbjegli pojavljivanje neuglednih ogrebotina.

POVRŠINA UPRAVLJAČKE PLOČE

Umetnuta upravljačka ploča može se čistiti toplom sapunicom. Prije čišćenja provjerite je li krpa čista i dobro iscijeđena. Koristite suhu meku krpu da biste obrisali sve ostatke vlage nakon čišćenja.

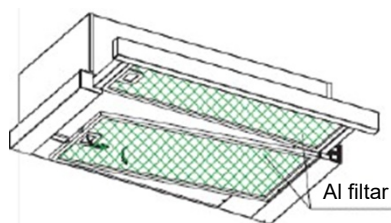
Važno

Koristite neutralne deterdžente i izbjegavajte korištenje agresivnih kemikalija za čišćenje, jakih deterdženata za kućanstvo ili proizvoda koji sadrže abrazive jer bi se tako oštetio izgled uređaja i eventualno uklonili dekorativni elementi na površini upravljačke ploče, pri čemu se jamstvo proizvođača poništava.

MREŽNI FILTAR ZA ODMAŠĆIVANJE

Mrežne filtre možete očistiti rukom. U vodu ulijte sredstvo za otapanje masnoća i namačite filtre oko 3 minute, a zatim lagano obrišite mekanom četkom. Da biste izbjegli oštećenje filtra, ne pritišćite prejako. (Ostavite da se prirodno osuši, ne na izravnom suncu).

Filtri se peru odvojeno od posuđa i kuhinjskog pribora. Korištenje sredstva za ispiranje ne preporučuje se.



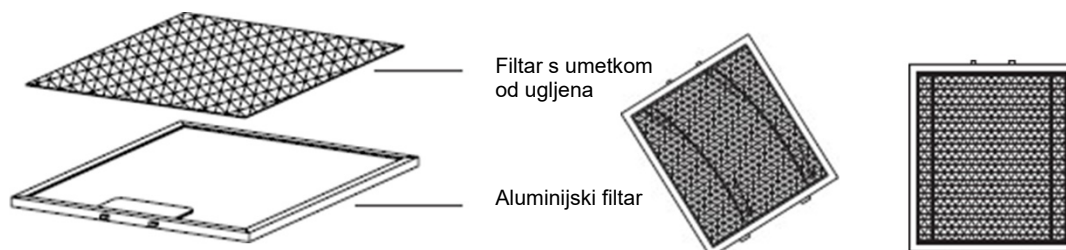
UGRADNJA MREŽNIH FILTARA ZA ODMAŠĆIVANJE

- Ugradite filtre prateći sljedeća četiri koraka.
- Ubacite filter u proreze na stražnjoj strani nape.
- Pritisnite gumb na ručki filtra.
- Pustite ručku kada se filter nalazi u stabilnom položaju.
- Ponovite ove korake da biste ugradili sve filtre.

FILTAR S UMETKOM OD UGLJENA


Filtar s umetkom od aktivnog ugljena može se rabiti za zadržavanje neugodnih mirisa. Filtar s umetkom od aktivnog ugljena mora obično biti zamijenjen svakih tri do šest mjeseci, ovisno o vašim navikama kuhanja. Postupak ugradnje filtra s umetkom od aktivnog ugljena prikazan je ispod.

1. Postavite filtar s umetkom od ugljena na stražnju stranu aluminijskog filtra.
2. Provućite čeličnu žicu kroz okvir aluminijskog filtra, po jednu na svakoj strani. Morate ju saviti da biste ju ubacili u drugi kraj okvira.
3. Provjerite pričvršćuje li čelična žica filtar s umetkom od ugljena na aluminijski filtar.



NAPOMENA:

- Pazite da je filtar sigurno zakočen. U suprotnom bi se mogao odvojiti i prouzročiti opasnost.
- Kad je pričvršćen filtar s umetkom od aktivnog ugljena, snižava se snaga usisa.

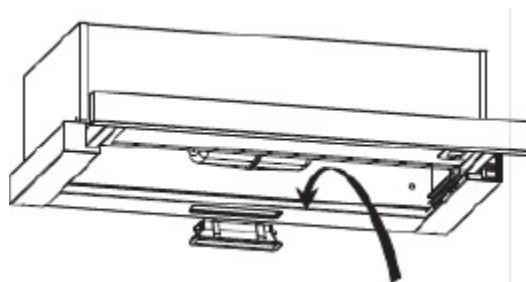
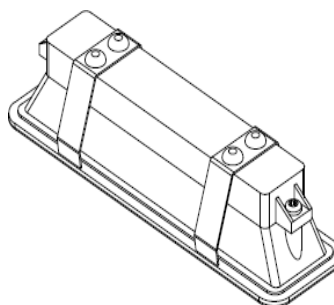
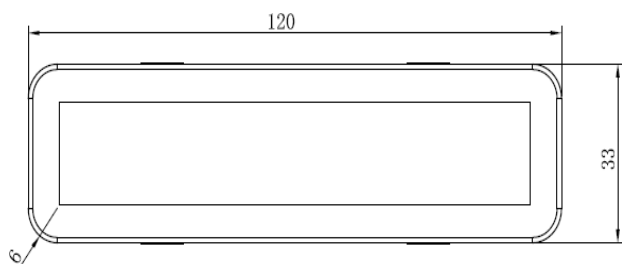
<p>Važno:</p> 	<ul style="list-style-type: none">✧ Žarulju moraju zamijeniti proizvođač, ovlaštene osobe ili osobe sličnih kvalifikacija.✧ Uvijek isključite električno napajanje prije bilo kakvih radnji na uređaju. Kada rukujete žaruljom, pričekajte da se potpuno ohladi prije nego što ju izravno dodirujete rukama.✧ Kada rukujete žaruljama, držite ih krpom ili rukavicom da biste izbjegli kontakt žarulje s perspiracijom koja može smanjiti životni vijek žarulje.
---	--

ZAMJENA ŽARULJE

Zamijeniti žarulju

Odvijačem otpustite samourezni vijak ST4*8MM (2 kom) iz rasvjetnog panela i izvadite rasvjetno tijelo. Otvorite kutiju terminala povezanu sa žicom, isključite konektor žice i zamijenite lampu.

- Šifra ILCOS D za žarulju je: DBS-2/65-H-120/33
- LED moduli – pravokutna lampa
- Maksimalna snaga: 1X2 W
- Raspon napona: AC 110-240V
- Dimenzije:



ZAŠTITA OKOLIŠA



Ovaj je proizvod označen simbolom za selektivno odvajanje otpadne elektroničke opreme. To znači da se ovaj proizvod ne smije zbrinuti s otpadom iz kućanstva, nego prema sustavu selektivnog prikupljanja u skladu s Direktivom 2012/19/EU. Zatim se reciklira ili rastavlja da bi se utjecaje na okoliš svelo na najmanju moguću mjeru; električni i elektronički proizvodi potencijalno su opasni za okoliš i ljudsko zdravlje zbog prisustva opasnih tvari. Za više informacija, obratite se svojim lokalnim ili regionalnim tijelima.

NAPOMENA:

Sljedeće upute prikazuju kako smanjiti ukupni utjecaj (npr. uporaba energije) postupka kuhanja na okoliš.

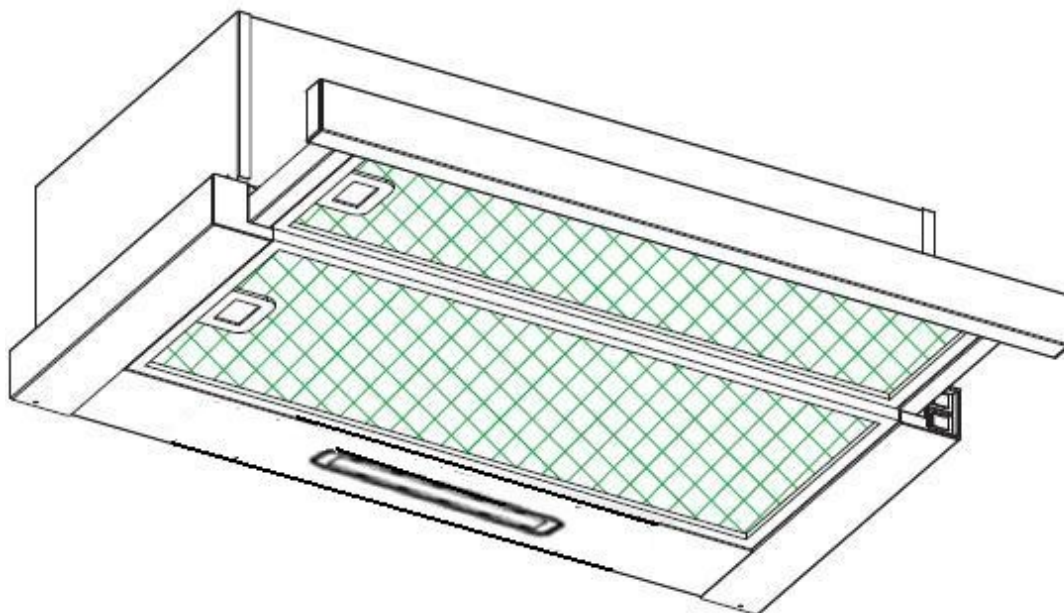
- (1) Ugradite kuhinjsku napu na prikladno mjesto, gdje je provjetranje učinkovito.
- (2) Redovno čistite kuhinjsku napu da se ne bi začepio protok zraka.
- (3) Ne zaboravite ugaziti svjetlo kuhinjske nape nakon kuhanja.
- (4) Ne zaboravite isključiti kuhinjsku napu nakon kuhanja.

INFORMACIJE ZA RASTAVLJANJE

Ne rastavljajte uređaj na način koji nije prikazan u korisničkom priručniku. Korisnik ne može rastaviti uređaj. Na kraju životnog vijeka uređaja, uređaj se ne smije zbrinuti s otpadom iz domaćinstva. Za savjete o recikliranju, obratite se vašem lokalnom tijelu.

Exaustor

Manual de instruções



Conteúdo

1.....	Instruções de segurança
2.....	Instalação (vent exterior)
3.....	Começar a usar o seu exaustor
4.....	Resolução de problemas
5.....	Manutenção e limpeza
6.....	Proteção Ambiental

INSTRUÇÕES DE SEGURANÇA

Este manual explica a instalação e utilização correta do seu exaustor e deve ser lido atentamente antes de usar o aparelhos, mesmo quando já conhece o produto. O manual deve ser mantido num local seguro para referência futura.

Estas instruções também estão disponíveis em formato alternativo, ex. para download do site ou, a pedido do utilizador, num formato do tipo DVD.

Nunca:

- Tentar usar o exaustor sem os filtros de gordura ou se esses mesmos filtros estiverem excessivamente gordurosos!
- Não instalar por cima de um fogão com uma grelha de alto nível.
- Não deixar frigideiras sem vigilância durante a utilização, pois gorduras ou óleos superaquecidos podem incendiar.
- Nunca deixar chamas livres debaixo do exaustor.



- Se o exaustor estiver danificado, não tente usá-lo.
- Não flambejar debaixo do exaustor.
- CUIDADO: As partes acessíveis podem aquecer quando usadas com aparelhos de cozedura.
- Distância mínima entre a superfície de suporte para os recipientes de cozedura na placa e na parte mais baixa do exaustor. (Quando o exaustor estiver situado sobre um aparelho a gás, esta distância deve ser, no mínimo, 65 cm)
- Adescarga do ar não deve ser para um tubo usado para exaustão de fumo de aparelhos que queimam gás ou outros combustíveis.



Deve:

- Importante! Desligar sempre o fornecimento de energia elétrica durante a instalação e manutenção como é o caso da substituição de lâmpadas.
- O exaustor deve ser instalado de acordo com as instruções de instalação e todas as medições cumpridas.
- Todo o trabalho de instalação deve ser realizado por um técnico ou por um eletricitista qualificado.
- Elimine os materiais de embalagem com cuidado. As crianças são vulneráveis às mesmas.
- Preste atenção aos rebordos afiados no interior do exaustor, especialmente durante a instalação e a limpeza.
- Quando o exaustor está localizado por cima de um aparelho a gás, a distância mínima entre a superfície de apoio dos recipientes de cozedura na placa e a parte mais baixa do exaustor deve ser:
Fogões a gás: 75 cm
Fogões elétricos: 65 cm
Fogões a carvão ou a óleo: 75 cm
- Certifique-se de que a conduta não tem curvas mais acentuadas do que 90 graus, pois isto reduzirá a eficiência do exaustor.
- Aviso: A não instalação dos parafusos ou do dispositivo de fixação de acordo com estas instruções pode resultar em riscos elétricos.
- Aviso: Antes de obter acesso aos terminais, todos os circuitos de alimentação devem ser desligados.

Deve:

- Coloque sempre tampas nas panelas e nas frigideiras quando cozinhar num fogão a gás.
- Durante o modo de extração, o ar da sala é removido pelo exaustor. Certifique-se de que são observadas as medidas adequadas de ventilação. O exaustor remove odores mas não o vapor.
- Este exaustor é apenas para uso doméstico.



- Se o cabo de alimentação estiver danificado, deve ser substituído pelo fabricante, pelo seu agente de serviço ou por pessoas qualificadas, para evitar perigo.
- Este equipamento pode ser usado por crianças a partir dos 8 anos de idade e por pessoas com incapacidade física, sensorial ou mental, ou sem experiência e conhecimentos para o fazer, desde que supervisionadas ou devidamente orientadas relativamente ao uso seguro do equipamento e sobre os perigos envolvidos. As crianças não podem brincar com o equipamento. A limpeza e a manutenção não deve ser realizada por crianças sem a supervisão de um adulto.



- **Aviso:** Antes de obter acesso aos terminais, todos os circuitos de alimentação devem ser desligados.

Deve:

- **Cuidado:** O equipamento e as partes acessíveis podem estar quentes durante a utilização. Evite tocar nos elementos de aquecimento. As crianças com menos de 8 anos devem manter-se afastadas, exceto quando permanentemente supervisionadas.
- Deve existir ventilação adequada quando o exaustor é usado ao mesmo tempo que os aparelhos que queimam gás ou outros combustíveis.
- Existe risco de incêndio se a limpeza não for realizada de acordo com as instruções
- Os regulamentos relativos a descarga de ar devem ser cumpridos.
- Limpe o seu aparelho periodicamente seguindo o método indicado no capítulo **MANUTENÇÃO**.
- Por razões de segurança, use apenas o mesmo tamanho de parafusos de fixação ou de montagem recomendados neste manual de instruções.
- Relativamente aos detalhes sobre o método e frequência de limpeza, consulte a secção de manutenção e limpeza no manual de instruções.
- As tarefas de limpeza e de manutenção não devem ser realizadas por crianças sem a supervisão de um adulto.
- Quando o exaustor e dispositivos são alimentados por energias diferentes da eletricidade estão em operação simultânea, a pressão negativa na cozinha não deve exceder 4 Pa (4×10^{-5} bar).
- **AVISO:** Perigo de incêndio - não coloque nada sobre as superfícies de cozedura.
- **Não** deve ser usada limpeza a vapor.
- **NUNCA** tente apagar um fogo com água! Desligue o equipamento e tape a chama com, por exemplo, uma tampa ou um cobertor de fogo.

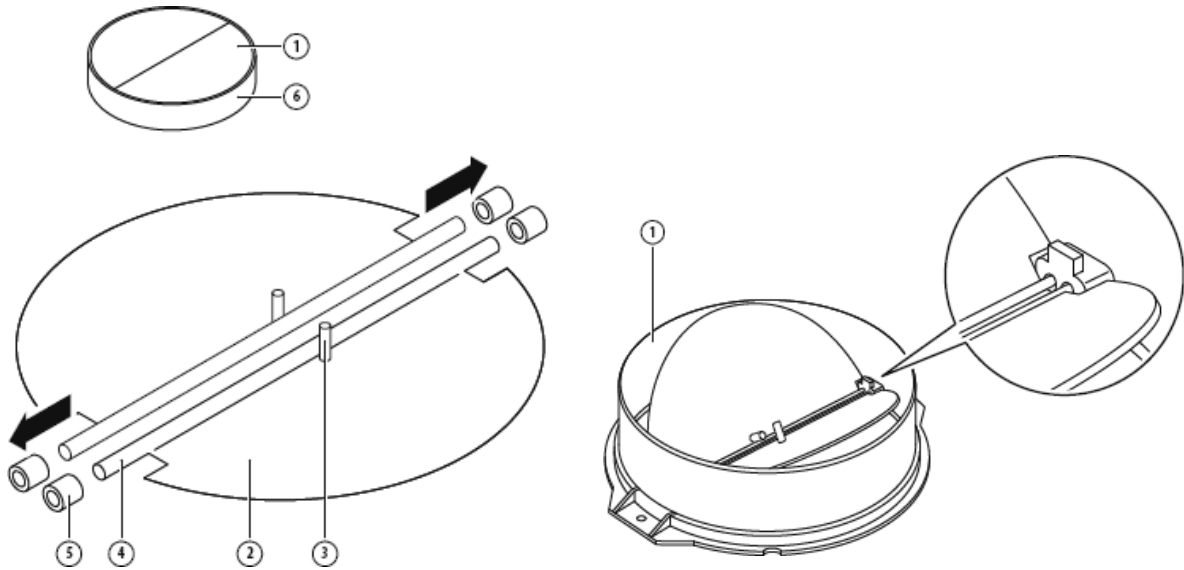
Instalação (vent exterior)

MONTAGEM DA V-FLAP (Opcional)

Se o exaustor não tiver uma V-flap montada 1, deve montar as meias-partes na sua estrutura. As imagens mostram apenas um exemplo de como montar a V-flap, podendo a saída ser variada de acordo com os diferentes modelos e configurações.

Para montar a V-flap 1 deve:

- Montar duas meias partes 2 na estrutura 6
- orientar para cima um pino 3;
- inserir o eixo 4 nos orifícios 5 da estrutura;
- repetir todas as operações para a 2ª meia parte

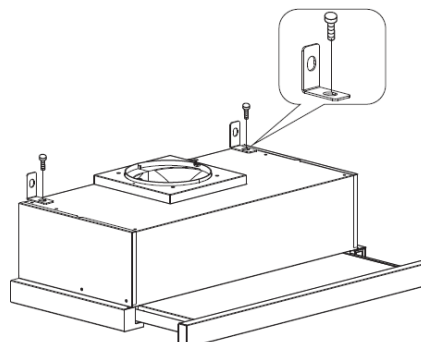


INSTALAÇÃO (Montagem Mural)

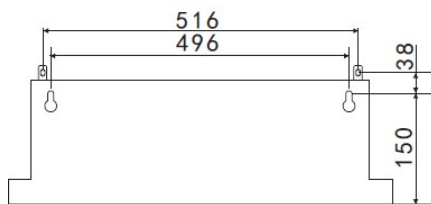
1. Decida a localização dos orifícios para a fixação do exaustor.



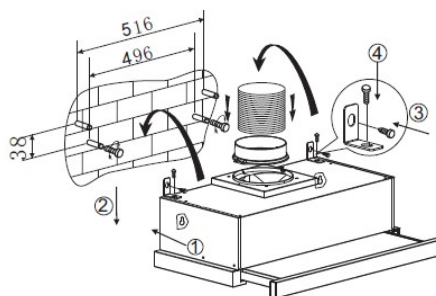
2. Instale o suporte em forma de L na parte superior do exaustor com dois parafusos (4 mm x 10 mm)



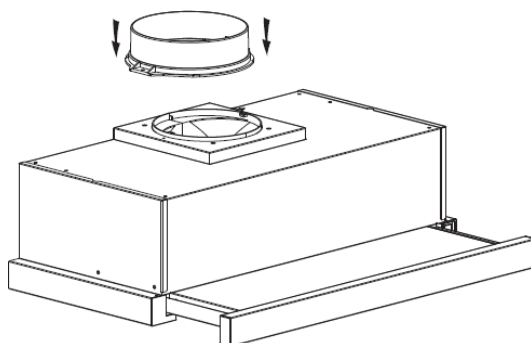
- O exaustor é montado na parede com 4 parafusos (4 mm x 30 mm) e buchas. Monte o exaustor na parede na parte de trás do exaustor com 2 parafusos (4 mm x 30 mm) e buchas. De seguida, fixe o exaustor na parede com 2 parafusos (4 mm x 30 mm) e as buchas através do pequeno suporte em forma de L



60CM

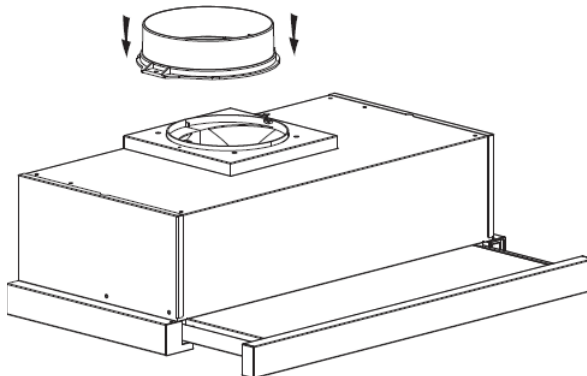


- Fixe a válvula unidirecional à saída de ar do exaustor.

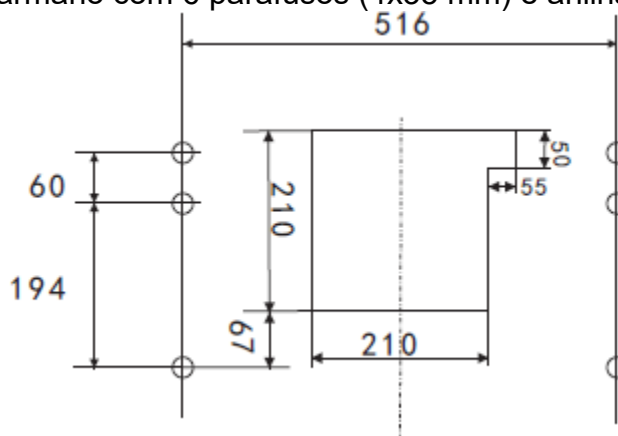


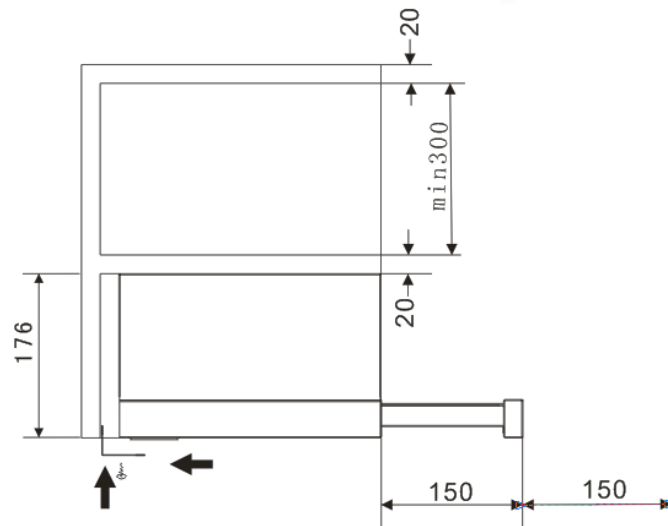
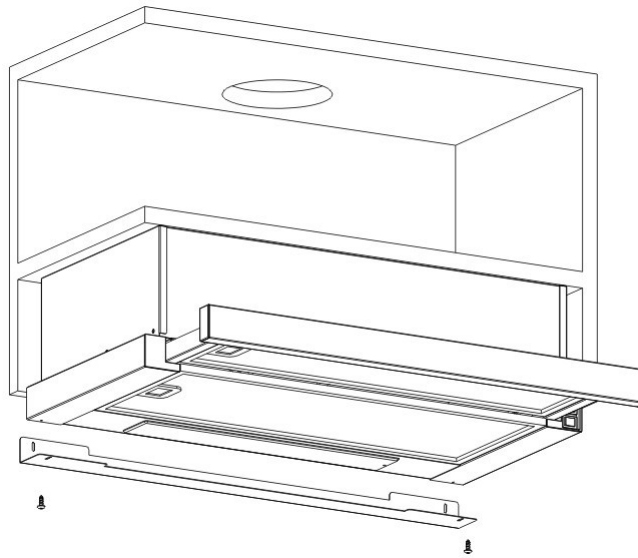
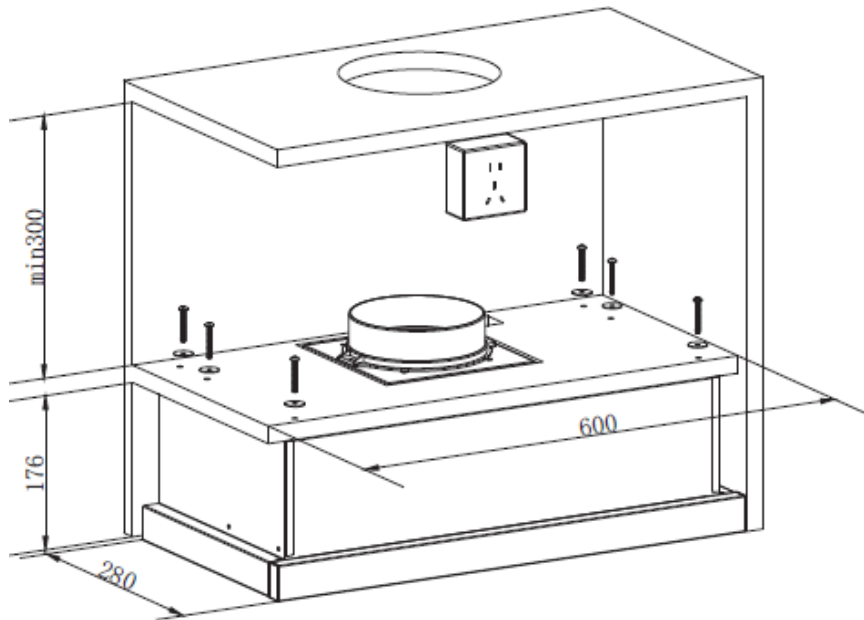
INSTALAÇÃO (Montagem em Armário)

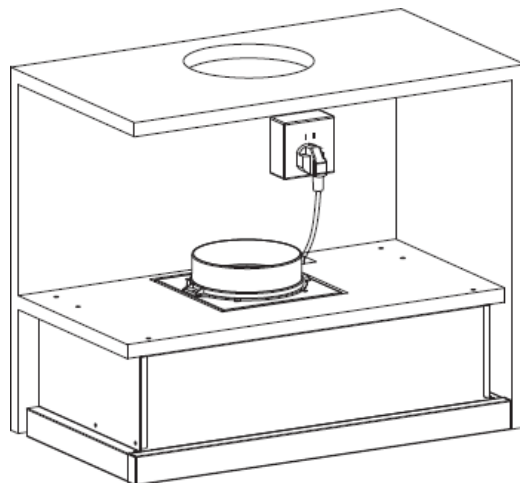
- Fixe a válvula unidirecional à saída de ar do exaustor.




- Monte o exaustor no armário com 6 parafusos (4x35 mm) e anilhas planas.





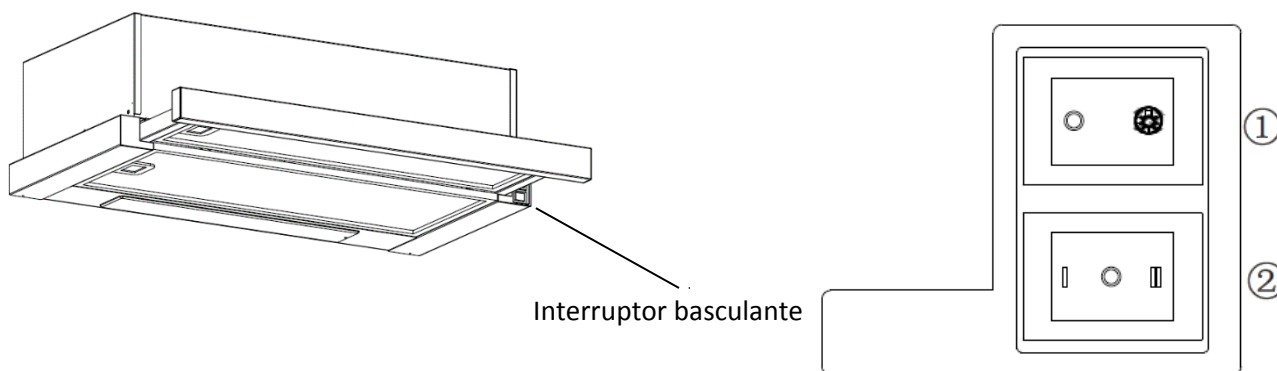


Se ficar algum espaço entre a parede e o exaustor, pode instalar o suporte em forma de L na parte inferior do exaustor com dois parafusos (3 x 12 mm). A instalação do suporte em forma de L é opcional. Nota: O tubo de expansão não está incluído no produto.

<p>AVISO:</p>  <hr/>	<ul style="list-style-type: none">➤ Por razões de segurança, use apenas o mesmo tamanho de parafusos de fixação ou de montagem recomendados neste manual de instruções.➤ A não instalação dos parafusos ou do dispositivo de fixação de acordo com estas instruções pode resultar em riscos elétricos..
---	--

Começar a usar o seu exaustor

Interruptor basculante



1. Ligue a ficha de alimentação à tomada elétrica.
2. Posicionar o interruptor ① para, acende a lâmpada; posicionar o interruptor ① para “0”, apaga a lâmpada.
3. Posicionar o interruptor ② para “I, II”, liga o motor em duas velocidades “baixa, alta”; posicionar o interruptor para “0”, desliga o motor.
4. A alimentação é ligada quando retira o painel frontal. Inversamente, a energia elétrica é desligada automaticamente.

RESOLUÇÃO DE PROBLEMAS

Falha	Possível Causa	Solução
Luz acesa, mas o motor não funciona	Interruptor do ventilador desligado	Selecione uma posição do interruptor do ventilador.
	Falha do interruptor do ventilador	Contactar o centro de serviços.
	O motor falhou	Contactar o centro de serviços.
A lâmpada não funciona, o motor não funciona	Fusíveis da casa queimados	Reiniciar/Substituir os fusíveis.
	Cabo de alimentação solto ou desligado	Volte a colocar o cabo na tomada elétrica. Ligue a tomada elétrica.
Fuga de óleo	Uma válvula unidirecional e a tomada não estão bem vedadas	Retire a válvula unidirecional e vede com selante.
	Fuga da ligação da chaminé e tampa	Retire a chaminé e vede.
As lâmpadas não funcionam	Globos partidos/com defeito	Substitua os globos de acordo com esta instrução.
Sucção insuficiente	A distância entre o exaustor e o bocal de gás é demasiada	Coloque novamente o exaustor à distância correta.
O exaustor está inclinado	O parafuso de fixação não está bem apertado	Aperte o parafuso de suspensão e coloque-o na horizontal.



NOTA:

Todas as reparações elétricas neste aparelho devem estar de acordo com as leis locais, estatais e federais. Entre em contacto com o centro de serviços se tiver alguma dúvida antes de realizar qualquer uma das tarefas acima. Ao abrir a unidade, desligue-a sempre da fonte de alimentação

MANUTENÇÃO E LIMPEZA

Cuidado:

- Antes da manutenção ou limpeza, o exaustor deve ser desligado da fonte de alimentação principal. Certifique-se de que o exaustor está desligado da tomada e que a ficha foi removida.
- As superfícies externas são suscetíveis a arranhões e abrasões, pelo que, siga as instruções de limpeza para garantir que é obtido o melhor resultado possível sem danos.



GERAL

A limpeza e a manutenção devem ser realizadas com o aparelho frio, especialmente durante a limpeza. Evite deixar substâncias alcalinas ou ácidas (sumo de limão, vinagre, etc.) nas superfícies.

AÇO INOXIDÁVEL

O aço inoxidável deve ser limpo regularmente (por exemplo, semanalmente) para garantir uma longa duração. Seque com um pano limpo e macio. Pode ser usado um líquido de limpeza de aço inoxidável especializado.

NOTA:

Assegure-se de que a limpeza é feita ao longo do grão do aço inoxidável para impedir o aparecimento de algum tipo de riscos cruzados.

SUPERFÍCIE DO PAINEL DE CONTROLO

O painel de controlo embutido pode ser limpo com água morna e sabão. Antes de limpar, certifique-se de que o pano que vai usar está limpo e bem torcido. Use um pano macio e seco para remover qualquer excesso de humidade depois da limpeza.

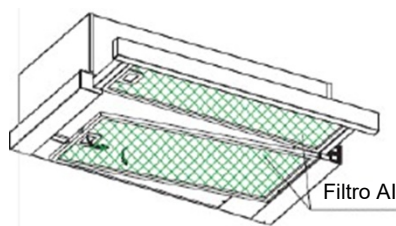
Importante

Use detergentes neutros e evite usar produtos químicos abrasivos, detergentes domésticos fortes ou produtos que contenham abrasivos, porque isto irá afetar o aspeto do aparelho e possivelmente remover qualquer impressão no painel de controlo, o que anula a garantia do fabricante.

FILTROS DE GORDURA EM MALHA

Os filtros de malha podem ser limpos manualmente. Mergulhe-os durante cerca de 3 minutos em água morna com um detergente anti gordura e, de seguida, escove-os suavemente com uma escova macia. Não aplique demasiada pressão para evitar danificar os filtros. (Deixe secar naturalmente protegidos da luz direta do sol)

Os filtros devem ser lavados separadamente das louças e utensílios de cozinha. É aconselhável não usar abrillantador.



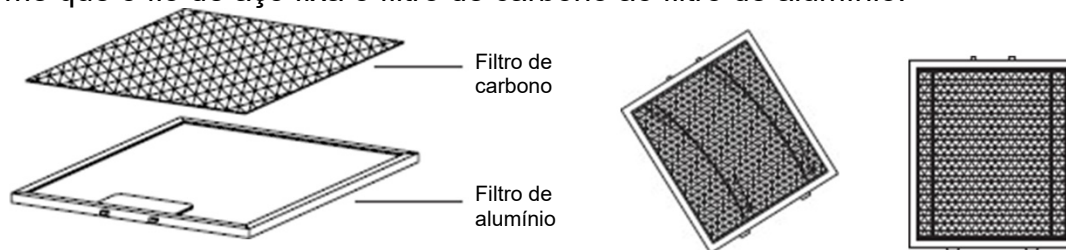
INSTALAR FILTROS DE GORDURA EM MALHA

- Para instalar os filtros siga as quatro etapas seguintes.
- Coloque o filtro nas ranhuras na parte de trás do exaustor.
- Pressione o botão na pega do filtro.
- Liberte o manípulo logo que o filtro encaixe na posição de repouso.
- Repetir para instalar todos os filtros.

FILTRO DE CARBONO


O filtro de carvão ativado pode ser usado para capturar odores. Normalmente, o filtro de carvão ativado deve ser substituído a cada três ou seis meses, de acordo com a frequência com que cozinha. O procedimento de instalação do filtro de carvão ativado é indicado abaixo.

1. Coloque o filtro de carbono na parte de trás do filtro de alumínio.
2. Insira o fio de aço na estrutura do filtro de alumínio, um de cada lado. É necessário dobrá-lo para inserir na outra extremidade da estrutura.
3. Confirme que o fio de aço fixa o filtro de carbono ao filtro de alumínio.



NOTA:

- Verifique se o filtro está bem bloqueado. Caso contrário, pode soltar-se e ser perigoso.
- Quando o filtro de carvão ativado estiver colocado, a potência de sucção será inferior.

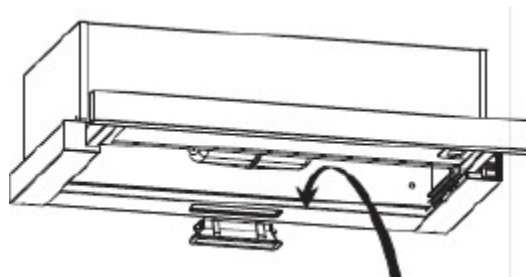
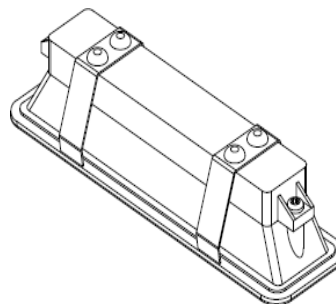
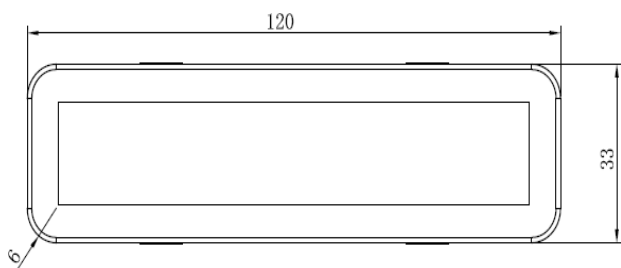
<p>Importante:</p> 	<ul style="list-style-type: none">✧ A lâmpada deve ser substituída pelo fabricante, agente de serviço ou pessoa com qualificação similar.✧ Desligue sempre a alimentação elétrica antes de realizar qualquer operação no aparelho. Ao manusear a lâmpada, certifique-se de que está fria antes de tocar diretamente com as mãos.✧ Ao manusear os globos, segure-os com um pano ou luvas para garantir que a transpiração não entra em contacto com o globo, porque isto pode reduzir a vida útil do globo.
--	--

SUBSTITUIÇÃO DA LÂMPADA

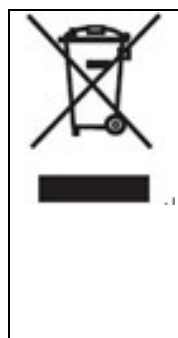
Substituição da lâmpada

Com a chave de parafuso solte o parafuso auto-roscante ST4*8MM (2pcs) do painel de iluminação e retire o aparelho de iluminação. Abra a caixa de terminais ligada ao fio, desligue o conector do fio e substitua a lâmpada.

- O código ILCOS D para esta lâmpada é: DBS-2/65-H-120/33
- Módulos LED – lâmpada retangular
- Potência máx.: 1x2 W
- Gama de tensão: CA 110-240V
- Dimensões:



PROTEÇÃO AMBIENTAL



Este produto está marcado com o símbolo de triagem seletiva de resíduos de equipamentos eletrónicos. Isto significa que este produto não deve ser eliminado junto com o lixo doméstico, mas deve ser suportado por um sistema de recolha seletiva de acordo com a Diretiva 2012/19/EU. Deverá ser reciclado ou desmontado para minimizar os impactos no meio ambiente, já que os produtos elétricos e eletrónicos são potencialmente perigosos para o meio ambiente e para a saúde humana devido à presença de substâncias perigosas. Para mais informações, contacte as autoridades locais ou regionais.

NOTA:

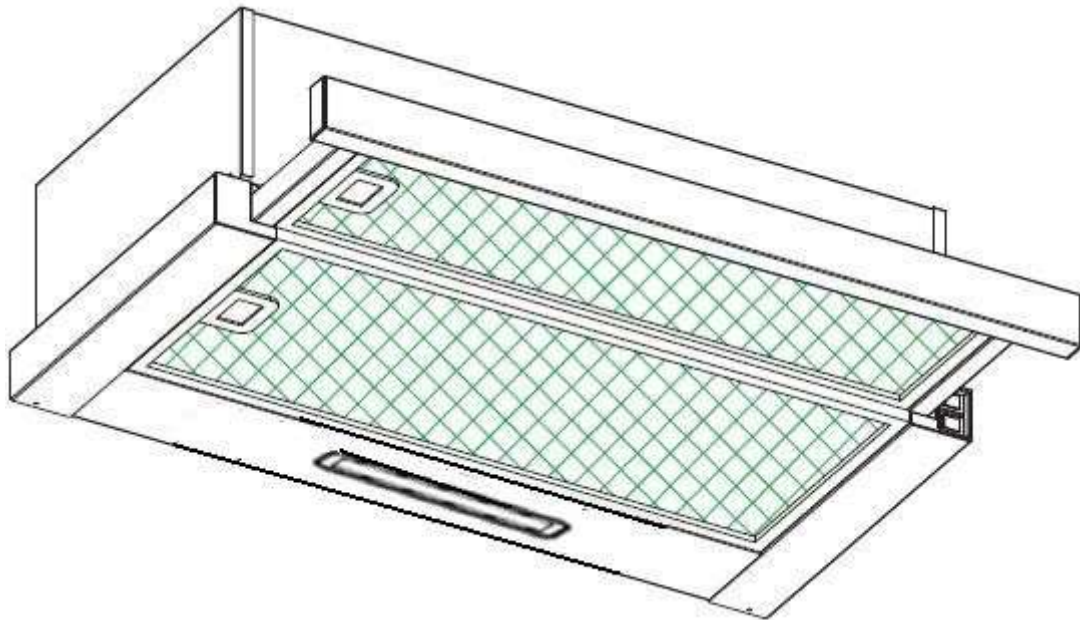
A seguir é apresentado como reduzir o impacto ambiental total (por exemplo, uso de energia) do processo de cozedura).

- (1) Instale o exaustor num local adequado onde exista ventilação eficiente.
- (2) Limpe o exaustor regularmente para não obstruir as vias aéreas.
- (3) Lembre-se de desligar a luz do exaustor depois de cozinhar.
- (4) Lembre-se de desligar o exaustor depois de cozinhar.

INFORMAÇÃO PARA DESMONTAGEM

Não desmonte o aparelho de uma forma contrária à apresentada no manual do utilizador. O aparelho não pode ser desmontado pelo utilizador. No final de vida, o aparelho não deve ser eliminado em conjunto com o lixo doméstico. Consulte as autoridades locais ou o revendedor sobre como proceder relativamente à reciclagem.

Dunstabzugshaube Gebrauchsanweisung



Inhalt

1.....	Sicherheitsanweisungen
2.....	Installation
3.....	Erste Nutzung Ihrer Abzugshaube
4.....	Fehlerbehebung
5.....	Wartung und Reinigung
6.....	Umweltschutz

SICHERHEITSHINWEISE

Diese Bedienungsanleitung erklärt die richtige Installation und Verwendung Ihrer Abzugshaube. Bitte lesen Sie sie vor der Benutzung sorgfältig durch, auch wenn Sie mit dem Produkt vertraut sind. Die Bedienungsanleitung sollte zum späteren Nachschlagen an einem sicheren Ort aufbewahrt werden.

Diese Anweisungen sind auch in alternativen Formaten verfügbar, z. B. auf einer Website oder auf Anfrage als DVD.

Falsche Anwendung:

- Die Abzugshaube nicht ohne die Fettfilter oder bei zu fettigen Filtern benutzen.
- Nicht über einem Kocher mit hoher Grillposition installieren
- Lassen Sie Pfannen während des Gebrauchs nicht unbeaufsichtigt, da überhitzte Fette oder Öle Feuer fangen können.
- Niemals offene Flammen unter der Abzugshaube brennen lassen.



- Wenn die Abzugshaube beschädigt ist, darf Sie keinesfalls benutzt werden.
- Unter der Abzugshaube nicht flambieren.
- VORSICHT: Zugängliche Teile können bei der Verwendung mit Kochgeräten heiß werden.
- Den Mindestabstand zwischen der Auflagefläche für die Kochgefäße auf dem Kochfeld und dem untersten Teil der Abzugshaube beachten. (Wenn sich die Abzugshaube über einem Gasgerät befindet, muss dieser Abstand mindestens 65 cm betragen).
- Die Luft darf nicht in einen Rauchabzug geleitet werden, der zur Absaugung von Rauch aus Geräten zur Verbrennung von Gas oder anderen Brennstoffen verwendet wird.



Richtige Anwendung:

- Wichtig! Schalten Sie bei Installation und Wartung, wie z.B. Glühlampenwechsel, immer die Stromzufuhr am Netz ab.
- Die Abzugshaube muss gemäß der Montageanleitung und unter Beachtung aller Maßangaben installiert werden.
- Sämtliche Installationsarbeiten müssen von einer fachkundigen Person oder einem ausgebildeten Elektriker ausgeführt werden.
- Bitte entsorgen Sie das Verpackungsmaterial sorgfältig. Für Kinder ist das Verpackungsmaterial gefährlich.
- Achten Sie besonders bei der Montage und Reinigung auf die scharfen Kanten im Inneren der Abzugshaube.
- Wenn sich die Dunstabzugshaube über einem Gasgerät befindet, muss der Mindestabstand zwischen der Auflagefläche für die Kochgefäße auf dem Kochfeld und dem untersten Teil der Abzugshaube folgendem Wert entsprechen:

Gasherde:	75 cm
Elektrokocher:	65 cm
Kohle- oder Ölkocher:	75 cm
- Stellen Sie sicher, dass die Leitung keine scharfen Biegungen von mehr als 90 Grad aufweist, da dies die Effizienz der Abzugshaube beeinträchtigt.
- Warnung: Wenn die Schrauben oder Befestigungen nicht gemäß dieser Anleitung montiert werden, kann dies zu elektrischen Gefahren führen.
- Warnung: Bevor Sie Zugang zu den Klemmen erhalten, müssen alle Versorgungsstromkreise getrennt werden.

Richtige Anwendung:

- Beim Kochen auf einem Gaskocher immer Deckel auf Töpfe und Pfannen setzen.
- Im Absaugmodus wird die Raumluft von der Abzugshaube abgeführt. Achten Sie auf die Einhaltung der Lüftungsmaßnahmen. Die Abzugshaube entfernt Gerüche aus dem Raum, aber keinen Dampf.
- Diese Abzugshaube ist nur für den häuslichen Gebrauch vorgesehen.



- Ein beschädigtes Netzkabel muss vom Hersteller, dem zugelassenen Kundendienst oder ähnlich qualifizierten Stellen ausgewechselt werden, um Gefahren vorzubeugen.
- Dieses Gerät darf von Kindern ab 8 Jahren und Personen mit eingeschränkten körperlichen, sensorischen oder geistigen Fähigkeiten oder ohne Erfahrung und Wissen nur benutzt werden, wenn sie beaufsichtigt werden oder Anweisungen für den sicheren Gebrauch des Geräts erhalten und die damit verbundenen Gefahren verstanden haben. Kinder dürfen keinesfalls mit dem Gerät spielen. Kinder dürfen das Gerät nur unter Beaufsichtigung reinigen und instandhalten.



- Warnung: Bevor Sie Zugang zu den Klemmen erhalten, müssen alle Versorgungsstromkreise getrennt werden.

Richtige Anwendung:

- Vorsicht: Das Gerät und dessen zugängliche Teile können während des Betriebs heiß werden. Achten Sie darauf, dass Sie die Heizelemente nicht berühren. Kinder unter 8 Jahren sollten sich fern halten, es sei denn, sie stehen unter ständiger Aufsicht.
- Es muss eine ausreichende Belüftung des Raumes gewährleistet sein, wenn die Abzugshaube gleichzeitig mit Geräten zur Verbrennung von Gas oder anderen Brennstoffen verwendet wird.
- Es besteht Brandgefahr, wenn die Reinigung nicht vorschriftsmäßig durchgeführt wird.
- Vorschriften über den Luftaustritt sind zu erfüllen.
- Reinigen Sie das Gerät regelmäßig, indem Sie die im Kapitel WARTUNG beschriebene Methode befolgen.
- Aus Sicherheitsgründen verwenden Sie bitte nur die gleiche Größe der Befestigungs- oder Montageschrauben gemäß Angaben in dieser Bedienungsanleitung.
- Bezüglich der Details über die Art und Häufigkeit der Reinigung lesen Sie bitte den Abschnitt Wartung und Reinigung in der Bedienungsanleitung.
- Kinder dürfen das Gerät nur unter Beaufsichtigung reinigen und instandhalten.
- Wenn die Abzugshaube und Geräte, die mit anderer Energie als Strom versorgt werden, gleichzeitig in Betrieb sind, darf der Unterdruck im Raum 4 Pa (4×10^{-5} bar) nicht überschreiten.
- WARNUNG: Brandgefahr: Keine Gegenstände auf der Kochfläche liegen lassen!
- Keinen Dampfreiniger verwenden.
- Versuchen Sie NIEMALS, einen Brand mit Wasser zu löschen, sondern schalten Sie das Gerät aus und ersticken Sie die Flamme dann (z. B. mit einem Deckel oder einer Feuerlöschdecke).

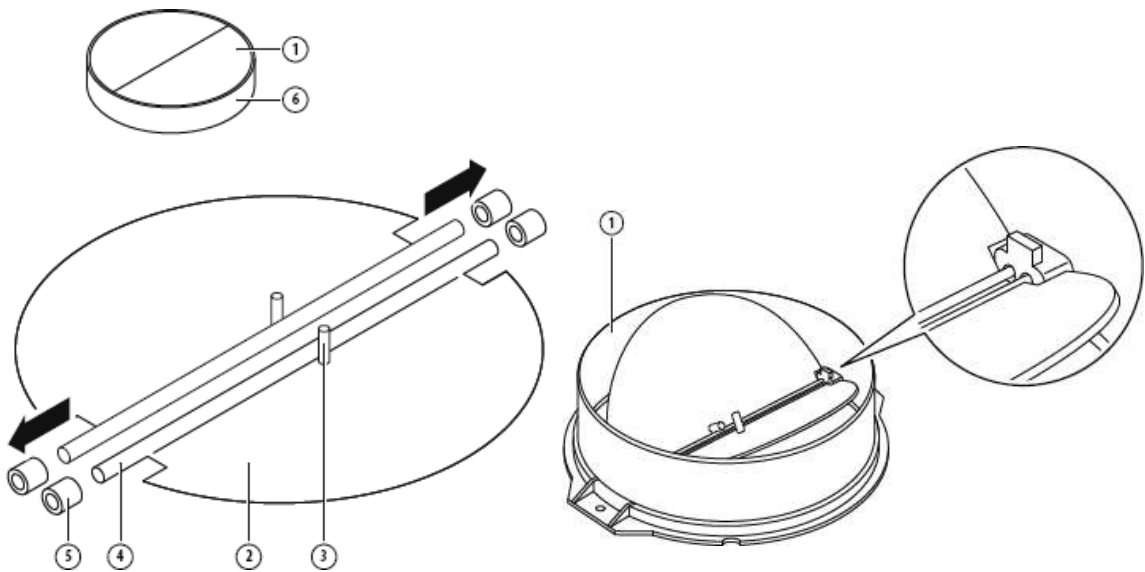
INSTALLATION (ENTLÜFTUNG AUSSEN)

MONTAGE DER V-KLAPPE (optional)

Wenn die Abzugshaube keine montierte V-Klappe (1) hat, sollten die Halfteile an ihrem Gehäuse befestigt werden. Die Abbildungen zeigen lediglich ein Beispiel für die Montage der V-Klappe. Der Auslass kann je nach Modell und Konfiguration unterschiedlich sein.

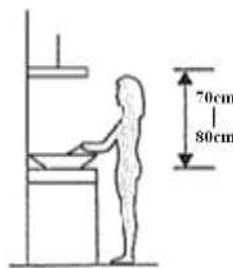
Montage der V-Klappe 1:

- 2 Halfteile (2) am Gehäuse (6) anbringen
- der Stift (3) muss nach oben zeigen;
- die Achse (4) in die Bohrungen (5) am Gehäuse einschieben.
- Wiederholen Sie diese Operationen für das 2. Halbteil.

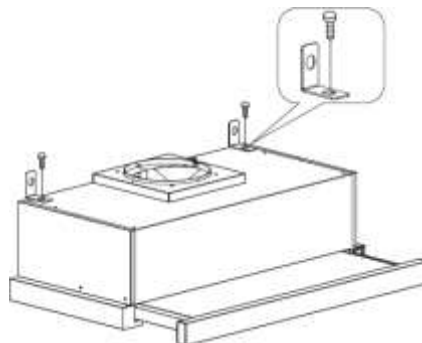


INSTALLATION (Wandmontage)

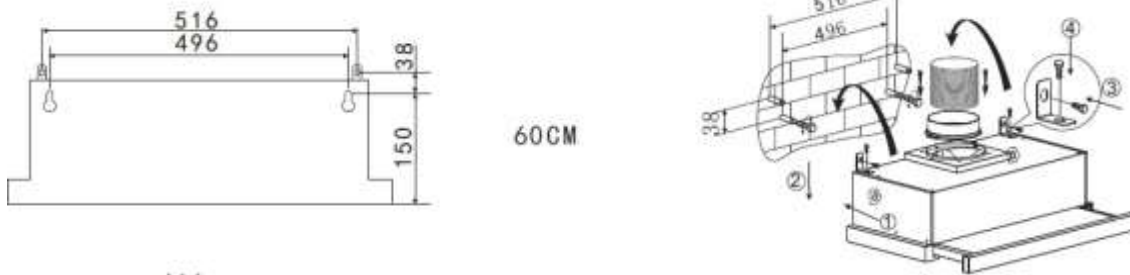
1. Legen Sie die Lage der Bohrungen für die Befestigung der Dunstabzugshaube fest.



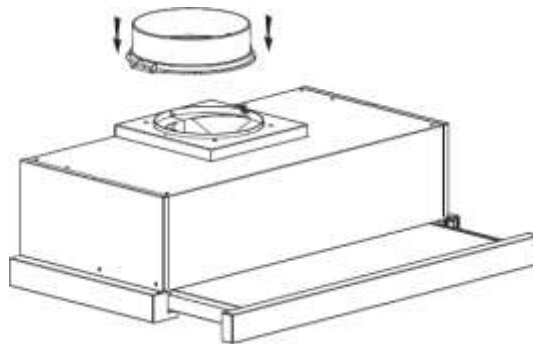
2. Die L-Halterung mit zwei Schrauben (4 x 10 mm) oben an der Haube anbringen.



- Die Abzugshaube wird mit 4 Schrauben (4 x 30 mm) und Wandsteckern an der Wand montiert. Die Abzugshaube mit 2 Schrauben (4 x 30 mm) und Dübeln mit ihrer Rückseite an der Wand anbringen. Dann die Abzugshaube mit 2 Schrauben (4 x 30 mm) und Wandsteckern durch die kleine L-Halterung hindurch an der Wand befestigen.

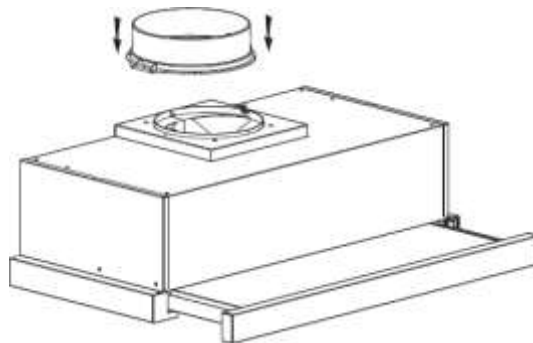


- Befestigen Sie das Einwegeventil an der Abluftleitung der Dunstabzugshaube.

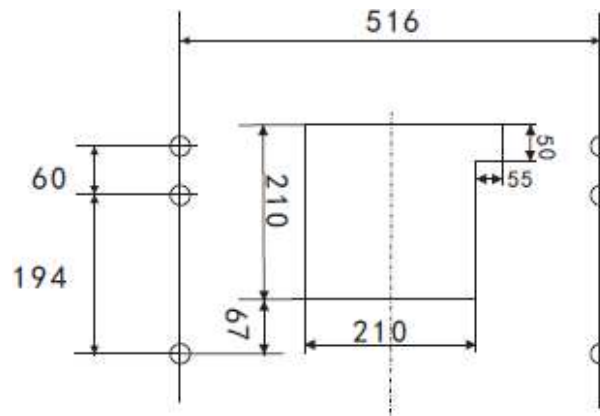


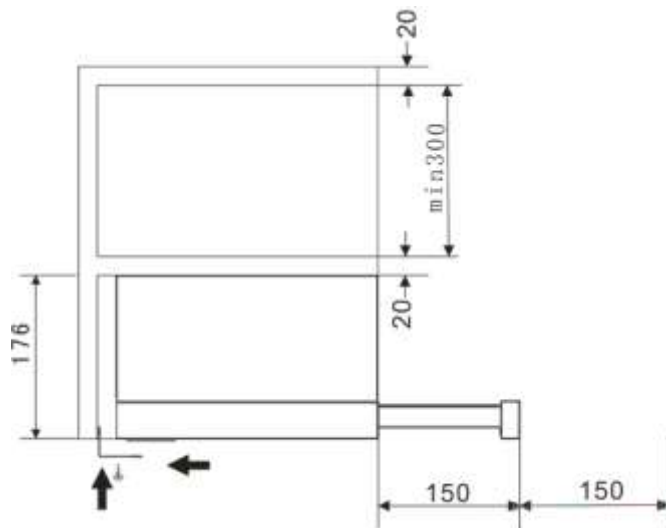
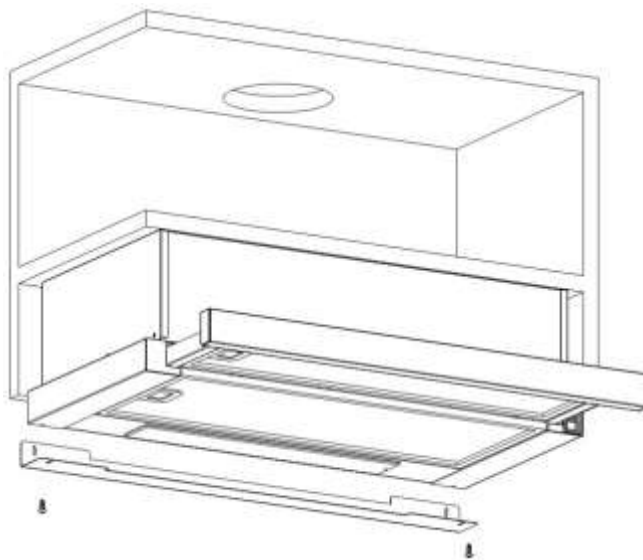
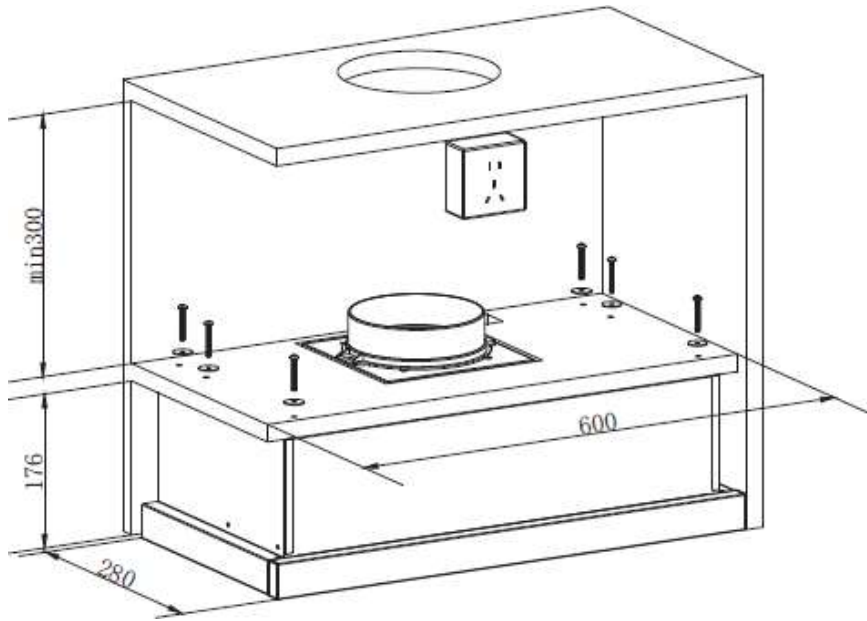
INSTALLATION (Schrankmontage)

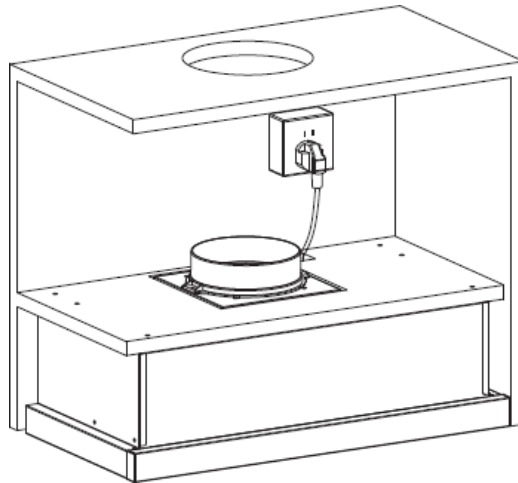
- Befestigen Sie das Einwegeventil an der Abluftleitung der Dunstabzugshaube.




- Montieren Sie die Abzugshaube mit 6 Schrauben (4 x 35 mm) und Unterlegscheiben am Schrank.





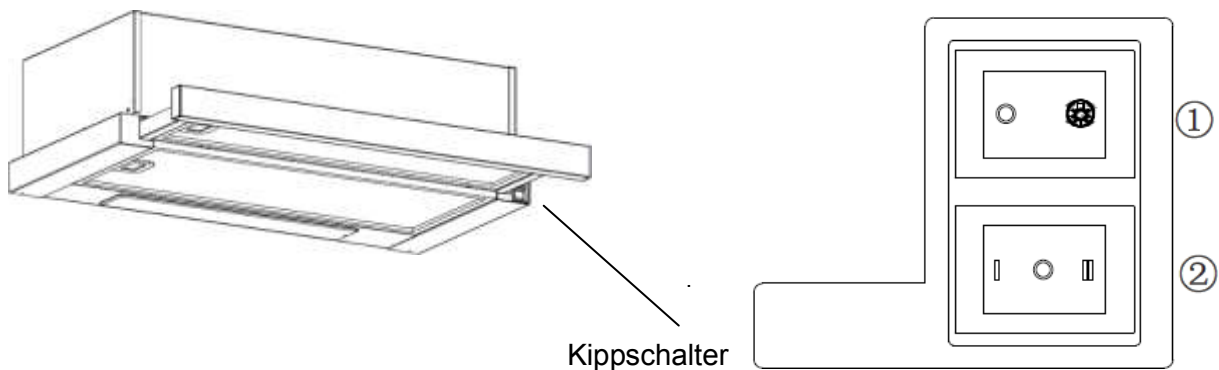


Wenn zwischen Wand und Dunstabzugshaube ein Spalt ist, können Sie die L-Halterung mit zwei Schrauben (3 x 12 mm) unten an der Abzugshaube installieren. Die Installation der L-Halterung ist optional. Hinweis: Das Flexrohr ist nicht im Lieferumfang des Produktes enthalten.

<p>WARNUNG</p> 	<ul style="list-style-type: none"> ➤ Aus Sicherheitsgründen verwenden Sie bitte nur die gleiche Größe der Befestigungs- oder Montageschrauben gemäß Angaben in dieser Bedienungsanleitung. ➤ Wenn Schrauben oder Befestigungen benutzt werden, die nicht den Angaben dieser Anleitung entsprechen, kann dies zu elektrischen Gefahren führen.
---	---

Erste Nutzung Ihrer Abzugshaube

Kippschalter



1. Stecken Sie den Netzstecker in die Steckdose.
2. Wenn Sie Schalter ① auf X stellen; leuchtet die Lampe ; wenn Sie Schalter ① auf „0“ stellen, erlischt die Lampe.

3. Wenn Sie Schalter ② auf „I“ oder „II“ stellen, läuft der Motor mit zwei Drehzahlen (niedrig bzw. hoch); stellen Sie den Schalter auf „0“, wird der Motor ausgeschaltet.
4. Die Stromversorgung wird verbunden, wenn Sie die Frontplatte herausziehen. Umgekehrt wird die Stromversorgung automatisch abgeschaltet.

FEHLERBEHEBUNG

Störung	Mögliche Ursache	Lösung
Die Leuchte geht an, aber der Motor dreht nicht	Lüfterschalter ausgeschaltet	Wählen Sie eine Lüfterschalterposition aus.
	Lüfterschalter defekt	Setzen Sie sich mit dem Kundendienst in Verbindung.
	Motor defekt	Setzen Sie sich mit dem Kundendienst in Verbindung.
Licht funktioniert nicht, Motor funktioniert nicht	Haussicherungen durchgebrannt	Sicherungen rückstellen/austauschen.
	Netzkabel lose oder getrennt	Schließen Sie das Kabel wieder korrekt an die Steckdose an. Schalten Sie die Stromversorgung ein.
Ölleckage	Einwegventil und Auslass sind nicht dicht verschlossen	Demontieren Sie das Einwegventil und dichten Sie es mit Dichtmittel ab.
	Leckage durch den Anschluss an den Abzug oder die Abdeckung	Nehmen Sie den Abzug ab und dichten Sie ihn ab.
Beleuchtung funktioniert nicht	Durchgebrannte oder defekte Glühbirnen	Ersetzen Sie die Glühbirnen wie in dieser Anleitung beschrieben.
Ungenügende Abzugsleistung	Der Abstand zwischen Dunstabzugshaube und Gasherd ist zu groß	Setzen Sie die Abzugshaube wieder in den richtigen Abstand.
Die Abzugshaube ist geneigt	Die Befestigungsschraube ist nicht genügend festgezogen	Ziehen Sie die Halterschraube fest und stellen Sie sie waagrecht.

HINWEIS:

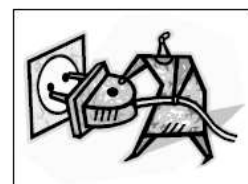


Alle Elektroreparaturen an diesem Gerät müssen gemäß Gesetzgebung auf Kommunal-, Landes- und Bundesebene erfolgen. Wenden Sie sich im Zweifelsfall an den Kundendienst, bevor Sie eine der o. g. Maßnahmen durchführen. Trennen Sie das Gerät stets vom Stromnetz, wenn Sie es öffnen.

WARTUNG UND REINIGUNG

Vorsicht:

- Vor Wartungs- oder Reinigungsarbeiten muss die Abzugshaube vom Stromnetz getrennt werden. Achten Sie darauf, dass die Abzugshaube ausgeschaltet und der Stecker von der Steckdose gezogen ist.
- Die Außenflächen sind kratzer- und abrasionsanfällig. Beachten Sie bitte die Hinweise für die Reinigung, um Schäden zu vermeiden.



ALLGEMEINES

Reinigungs- und Wartungsmaßnahmen stets bei kaltem Gerät durchführen, dies gilt besonders für das Reinigen. Es dürfen keine alkalischen oder sauren Substanzen (Zitronensaft, Essig usw.) auf die Oberflächen gelangen.

EDELSTAHL

Edelstahl muss regelmäßig (z.B. wöchentlich) gereinigt werden, um eine lange Lebensdauer zu gewährleisten. Mit einem sauberen, weichen Tuch trocknen. Es kann eine spezielle Reinigungsflüssigkeit für Edelstahl verwendet werden.

HINWEIS:

Stellen Sie sicher, dass Sie in der gleichen Richtung der Narbung des Edelstahls wischen, um zu verhindern, dass hässliche, kreuzende Kratzspuren entstehen.

OBERFLÄCHE DES BEDIENFELDS

Das integrierte Bedienfeld kann mit warmer Seifenlauge gereinigt werden. Vergewissern Sie sich vor der Reinigung, dass das Tuch sauber und gut ausgerungen ist. Verwenden Sie ein trockenes, weiches Tuch, um überschüssige Feuchtigkeit nach der Reinigung zu entfernen.

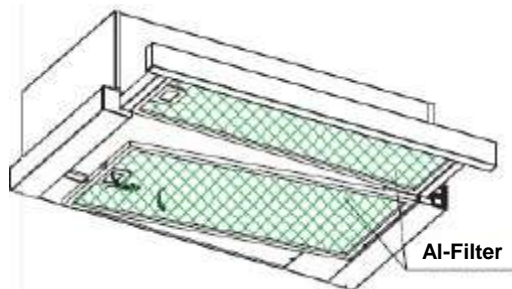
Wichtig

Verwenden Sie neutrale Reinigungsmittel und vermeiden Sie die Verwendung von scharfen Reinigungschemikalien, starken Haushaltsreinigern oder scheuernden Produkten, da dies das Erscheinungsbild des Geräts beeinträchtigt und möglicherweise die am Bedienfeld abgedruckten Symbole entfernt. Unter diesen Umständen verfällt die Herstellergarantie.

FETTFILTER

Die Filter können von Hand gereinigt werden. Legen Sie sie ca. 3 Minuten in warmes Wasser mit einem fettlöslichen Reinigungsmittel und bürsten Sie sie dann vorsichtig mit einer weichen Bürste ab. Üben Sie nicht zu viel Druck aus, um Beschädigungen zu vermeiden. (Lassen Sie die Filter natürlich trocknen, vermeiden Sie direkte Sonneneinstrahlung).

Die Filter sollten getrennt von Geschirr und Küchenutensilien gereinigt werden. Es ist ratsam, kein Klarspülmittel zu verwenden.



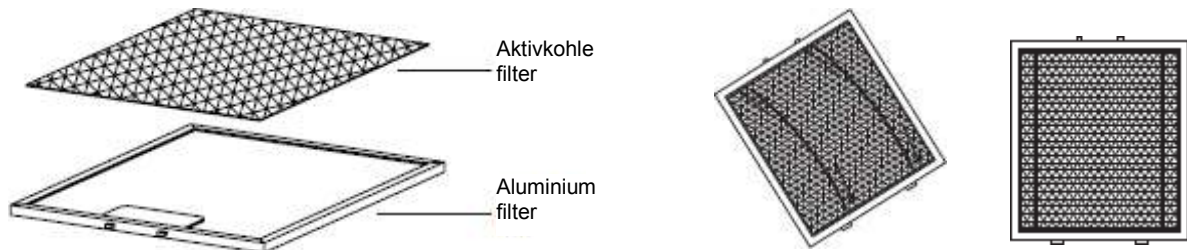
INSTALLATION DER FETTFILTER

- Die Installation erfolgt in den folgenden vier Schritten:
 - Stecken Sie den Filter in die Schlitze auf der Rückseite der Haube.
 - Drücken Sie die Taste am Griff des Filters.
 - Lassen Sie den Griff los, sobald der Filter in eine Ruheposition springt.
 - Wiederholen Sie den Vorgang, bis alle Filter installiert sind.

AKTIVKOHLEFILTER

Aktivkohlefilter können zur Geruchsbindung eingesetzt werden. In der Regel sollte der Aktivkohlefilter je nach Kochgewohnheit nach drei oder sechs Monaten ausgetauscht werden. Die Installation des Aktivkohlefilters erfolgt wie folgt.

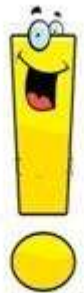
1. Setzen Sie den Aktivkohlefilter in die Rückseite des Aluminiumfilters ein.
2. Führen Sie den Stahldraht (einer pro Seite) in den Rahmen des Aluminiumfilters ein. Sie müssen ihn biegen, um ihn in das andere Rahmenende einsetzen zu können.
3. Vergewissern Sie sich, dass der Stahldraht den Aktivkohlefilter auf dem Aluminiumfilter fixiert.



HINWEIS:

- Vergewissern Sie sich, dass der Filter sicher verriegelt ist. Andernfalls könnte er sich lösen und zu einer Gefahr werden.
- Bei angeschlossenem Aktivkohlefilter wird die Saugleistung reduziert.

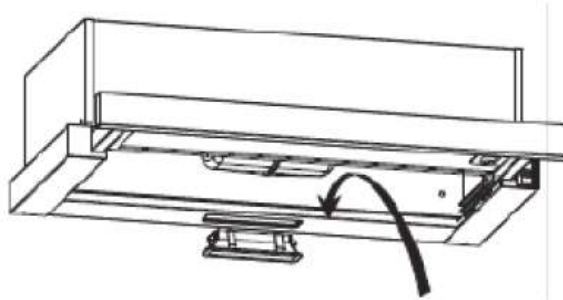
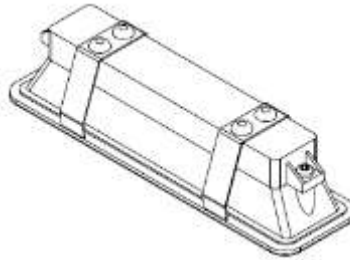
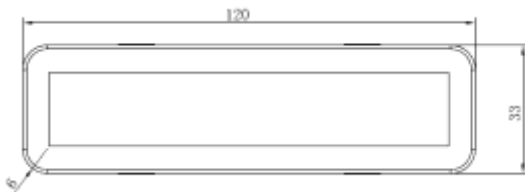
GLÜHLAMPENWECHSEL

<p>Wichtig!</p> 	<ul style="list-style-type: none">✧ Die Glühlampe muss vom Hersteller, seinem Servicepartner oder ähnlich qualifizierten Stellen ausgetauscht werden.✧ Schalten Sie immer die Stromzufuhr ab, bevor Sie Arbeiten am Gerät durchführen. Achten Sie beim Umgang mit der Glühbirne darauf, dass sie vollständig abgekühlt ist, bevor Sie sie direkt mit den Händen berühren.✧ Halten Sie die Kugeln beim Umgang mit einem Tuch oder Handschuhen fest, um sicherzustellen, dass die Haut nicht mit der Kugel in Berührung kommt, da dies die Lebensdauer der Kugel verringern kann.
--	---

Auswechseln des Leuchtmittels

Lösen Sie mit dem Schraubendreher die selbstschneidende Schraube ST4*8MM (2 Stück) vom Beleuchtungspaneel und nehmen Sie den Lampensockel heraus. Öffnen Sie den Klemmenkasten, der mit dem Kabel verbunden ist, trennen Sie den Kabelstecker und ersetzen Sie die Lampe.

- ILCOS D-Code für diese Lampe: DBS-2/65-H-120/33
- LED-Module - Rechteckleuchte
- Maximale Wattleistung: 2 W
- Spannungsbereich: AC 110-240V
- Abmessungen:



UMWELTSCHUTZ:



Dieses Produkt ist mit dem Symbol für die Getrenntentsorgung von Elektro- und Elektronik-Altgeräten gekennzeichnet. Das bedeutet, dass dieses Produkt nicht über den Hausmüll entsorgt werden darf, sondern durch eine spezifische Entsorgungsstelle gemäß Richtlinie 2012/19/EU verschrottet werden muss. Elektro- und Elektronik-Altgeräte sind aufgrund bestimmter darin enthaltener Stoffe potenziell für die Umwelt und die menschliche Gesundheit gefährlich. Weitere Informationen erhalten Sie bei den jeweiligen lokal oder regional zuständigen Behörden.

HINWEIS:

Im Folgenden wird gezeigt, wie die Gesamtumweltbelastung (z.B. Energieverbrauch) durch den Kochprozess reduziert werden kann.

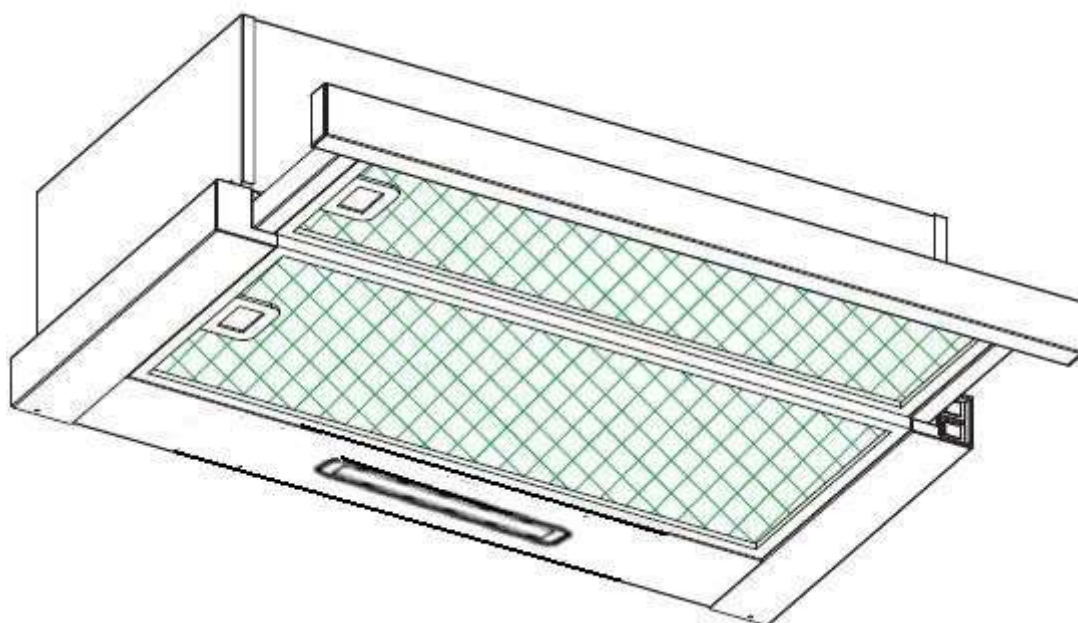
- (1) Installieren Sie die Abzugshaube an einem geeigneten Ort mit guter Belüftung.
- (2) Reinigen Sie die Abzugshaube regelmäßig, um Ihre Atemwege zu schonen.
- (3) Denken Sie daran, die Beleuchtung der Abzugshaube nach dem Kochen auszuschalten.
- (4) Denken Sie daran, die Abzugshaube nach dem Kochen auszuschalten.

INFORMATIONEN ZUR DEMONTAGE

Demontieren Sie das Gerät nur gemäß Angaben in der Bedienungsanleitung. Das Gerät sollte nur von Fachleuten demontiert werden. Am Ende der Lebensdauer sollte das Gerät nicht über den Hausmüll entsorgt werden. Erkundigen Sie sich bei Ihrer örtlichen Behörde oder Ihrem Händler über die geltenden Vorschriften für die Entsorgung.

Cappa

Manuale di istruzioni



Indice

1.....	Avvertenza di sicurezza
2.....	Installazione
3.....	Inizio dell'utilizzo della cappa
4.....	Qualcosa non funziona?
5.....	Manutenzione e pulizia
6.....	Protezione ambientale

ISTRUZIONI DI SICUREZZA

Questo manuale spiega il corretto montaggio e l'utilizzo della cappa, si prega di leggerlo attentamente anche se siete già abituati all'utilizzo di questo prodotto. Tenere il manuale a portata di mano per consultarlo all'occorrenza.

Queste istruzioni saranno disponibili anche in un formato alternativo, ad esempio su un sito web o, su richiesta dell'utente, in un formato quale un DVD.

Procedure da evitare:

- Non cercare di utilizzare la cappa senza i filtri per grasso oppure se i filtri sono eccessivamente sporchi di grasso!
- Non montare la cappa sopra ad un fornello con grill molto alto.
- Non lasciare pentole con olio bollente incustodite durante l'utilizzo in quanto i grassi o gli oli surriscaldati possono incendiarsi.
- Non lasciare mai fiamme libere sotto la cappa.



- Se la cappa è danneggiata, non cercare di utilizzarla.
- Non effettuare cotture flambé sotto la cappa.
- **ATTENZIONE:** Durante l'uso degli elettrodomestici di cottura, le parti accessibili possono essere molto calde.
- La distanza minima tra la superficie di supporto dei recipienti sul piano di cottura e la parte inferiore della cappa aspirante, quando la cappa aspirante è posta sopra un elettrodomestico a gas, deve essere almeno di 65 cm.
- L'aria non deve essere scaricata in un camino usato per i fumi da elettrodomestici con combustione a gas o altri combustibili.



Procedure da effettuare sempre:

- **Importante!** Staccare sempre l'alimentazione elettrica dalla rete durante le attività di installazione e manutenzione, quale ad esempio la sostituzione delle lampadine.
- La cappa deve essere montata in accordo con le istruzioni di installazione e rispettando tutte le misure indicate.
- Tutti i lavori di installazione devono essere effettuati da operatori competenti o da elettricisti qualificati.
- Si prega di smaltire in modo appropriato il materiale di imballaggio. È pericoloso per i bambini.
- Prestare attenzione agli spigoli vivi all'interno della cappa, in particolare durante l'installazione e la pulizia.
- Quando la cappa aspirante si trova al di sopra di un elettrodomestico a gas, la distanza minima tra la superficie di supporto dei recipienti di cottura sul piano di cottura e la parte inferiore della cappa aspirante deve essere la seguente:

Fornelli a gas:	75 cm
Fornelli elettrici:	65 cm
Fornelli a carbone o gasolio:	75 cm
- Accertarsi che le tubazioni non abbiano curve più strette di 90 gradi in quanto ciò riduce la resa della cappa.
- **Avvertenza:** Se le viti o il dispositivo di fissaggio non sono installati seguendo queste istruzioni potrebbero verificarsi rischi elettrici
- **Avvertenza:** Prima di accedere ai morsetti, tutti i circuiti di alimentazione devono essere staccati.

Procedure da effettuare sempre:

- Mettere sempre i coperchi su pentole e tegami quando si cuoce su un fornello a gas.
- In modalità di estrazione, l'aria all'interno dell'ambiente viene aspirata dalla cappa. Accertarsi che siano adottate misure adeguate per la ventilazione. La cappa toglie gli odori dall'ambiente ma non il vapore.
- La cappa è progettata per un uso esclusivamente domestico.



- Se il cavo di alimentazione dell'elettrodomestico dovesse essere danneggiato, farlo sostituire dal produttore, dal suo servizio tecnico o da un tecnico qualificato, per evitare rischi.
- L'elettrodomestico può essere utilizzato da bambini di età superiore a 8 anni e da persone con ridotte capacità fisiche, sensoriali o mentali, oppure prive di esperienza e conoscenza, se supervisionate o istruite riguardo all'uso dell'elettrodomestico in sicurezza, e se comprendono i rischi che derivano dall'uso dello stesso. I bambini non devono giocare con l'elettrodomestico. La pulizia e la manutenzione da parte dell'utente non possono essere effettuate da bambini senza supervisione.



- Avvertenza: Prima di accedere ai morsetti, tutti i circuiti di alimentazione devono essere staccati.

Procedure da effettuare sempre:

- **Attenzione:** L'elettrodomestico e le sue parti accessibili possono diventare calde durante l'uso. Fare attenzione a non toccare le parti calde. I bambini di età inferiore a 8 anni devono sempre rimanere a distanza se non costantemente supervisionati.
- Deve esserci un'adeguata ventilazione dell'ambiente quando si utilizza la cappa insieme ad elettrodomestici con combustione a gas o altri combustibili.
- Se la pulizia non viene effettuata in accordo con le istruzioni, sussiste il rischio di incendi
- È necessario rispettare le normative relative allo scarico dell'aria.
- Pulire con regolarità l'elettrodomestico seguendo il metodo descritto nel capitolo **MANUTENZIONE**.
- Per ragioni di sicurezza, utilizzare esclusivamente viti di fissaggio o di montaggio con le misure consigliate sul manuale di istruzioni.
- Per quanto riguarda i dettagli sul metodo e la frequenza della pulizia, fare riferimento alla sezione relativa a pulizia e manutenzione sul manuale di istruzioni.
- La pulizia e la manutenzione da parte dell'utente non possono essere effettuate da bambini senza supervisione.
- Quando la cappa e le apparecchiature alimentate da fonti diverse dall'energia elettrica funzionano simultaneamente, la pressione negativa nell'ambiente non deve superare i 4 Pa (4×10^{-5} bar).
- **AVVERTENZA:** Pericolo di incendio: non appoggiare nulla sulle superfici di cottura.
- Si sconsiglia l'utilizzo di una pulitrice a vapore.
- **NON** cercare MAI di spegnere un incendio con acqua, bensì spegnere l'elettrodomestico e coprire la fiamma con un coperchio o una coperta antifiama.

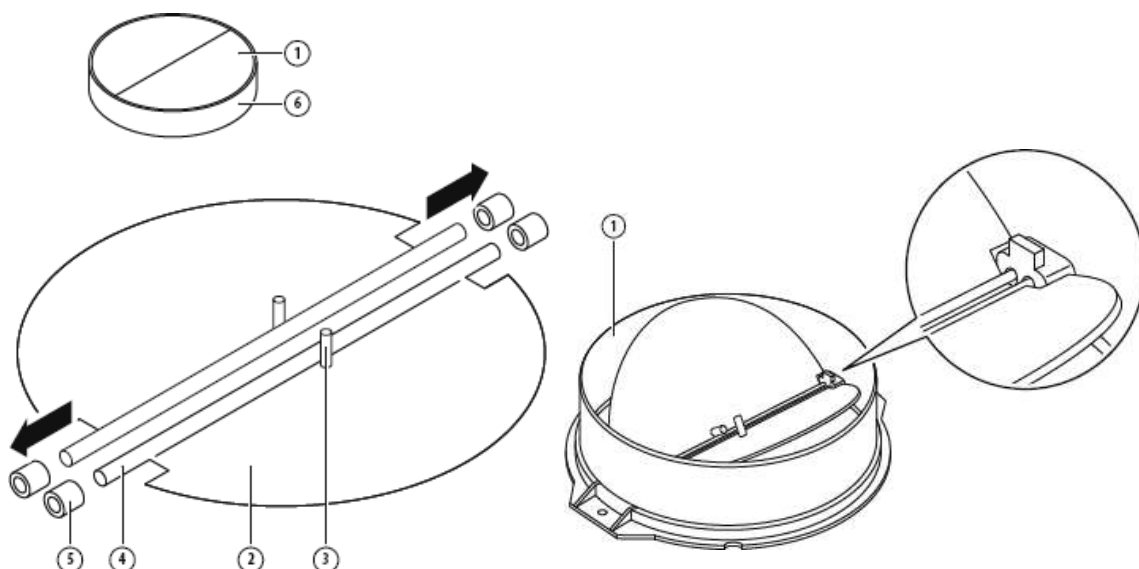
INSTALLAZIONE (SCARICO ALL'ESTERNO)

MONTAGGIO DELL'ALETTA A V (optional)

Se la cappa non ha già montata l'aletta a V 1, è necessario montare le due metà sul corpo. Le immagini mostrano solo un esempio di come montare l'aletta a V, l'uscita può essere diversa a seconda dei diversi modelli e configurazioni.

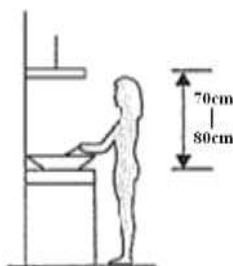
Per montare la fascetta a V 1, procedere come segue:

- Montare le due metà 2 nel corpo 6
- un perno 3 deve essere rivolto verso l'alto;
- il pernetto 4 deve essere inserito nei fori 5 sul corpo;
- ripetere tutte le operazioni per l'altra metà

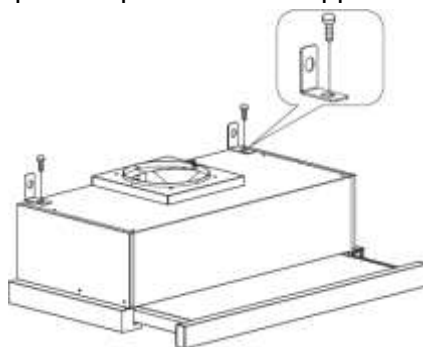


INSTALLAZIONE (montaggio a parete)

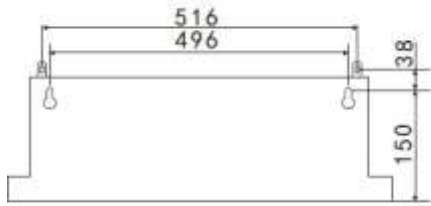
1. Decidere la posizione dei fori per il fissaggio della cappa.



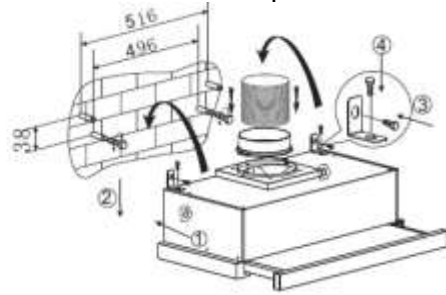
2. Installare la staffa a L sulla parte superiore della cappa con due viti (4 mm x 10 mm)



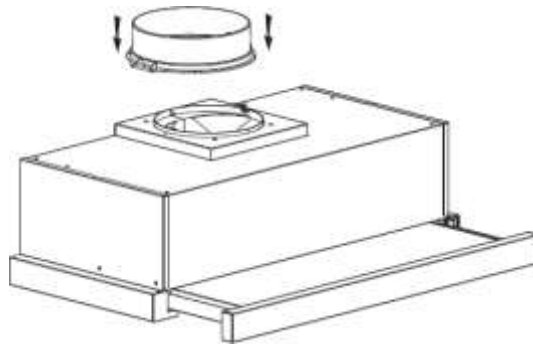
- La cappa è fissata a parete con 4 viti (4 mm x 30 mm) e tasselli. Montare la cappa sulla parete sul retro della cappa con 2 viti (4 mm x 30 mm) e tasselli. Quindi fissare la cappa alla parete con 2 viti (4 mm x 30 mm) e tasselli attraverso la staffa a L piccola.



60CM

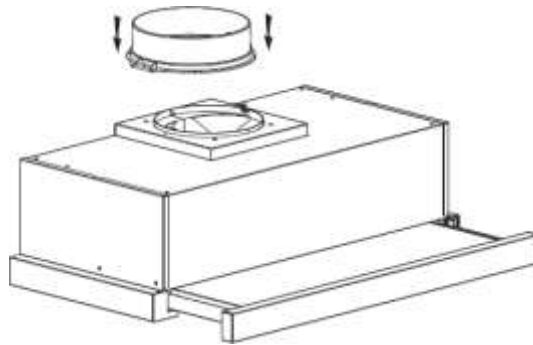


- Fissare la valvola unidirezionale all'uscita dell'aria della cappa.

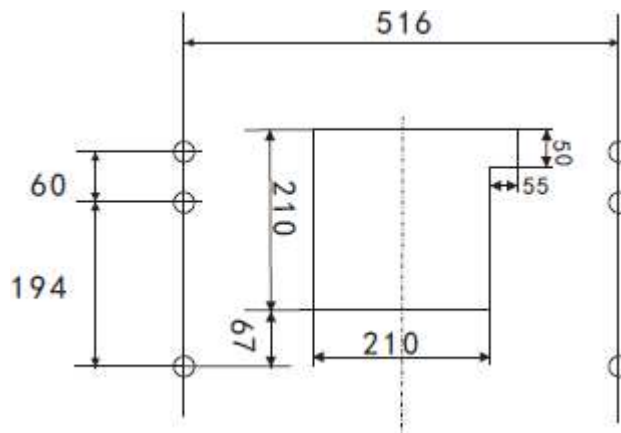


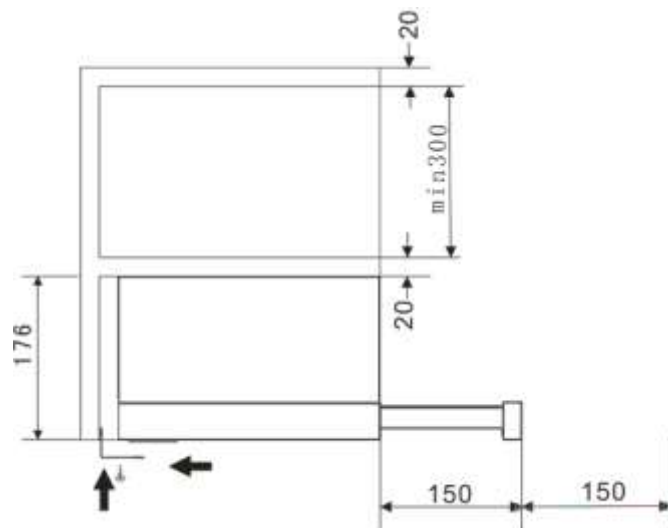
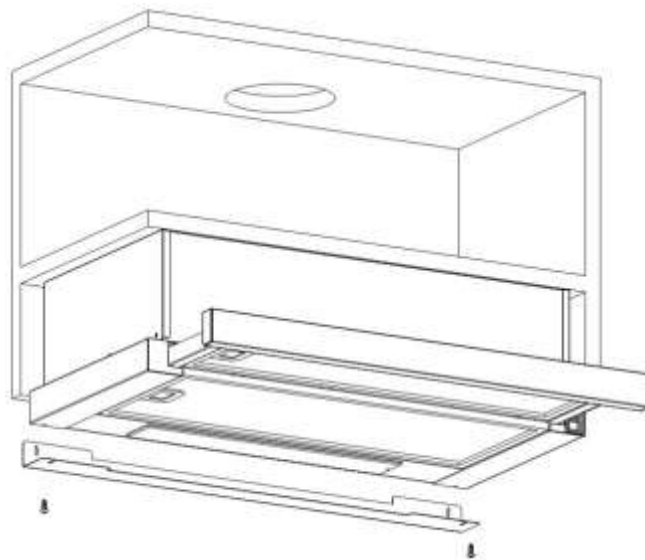
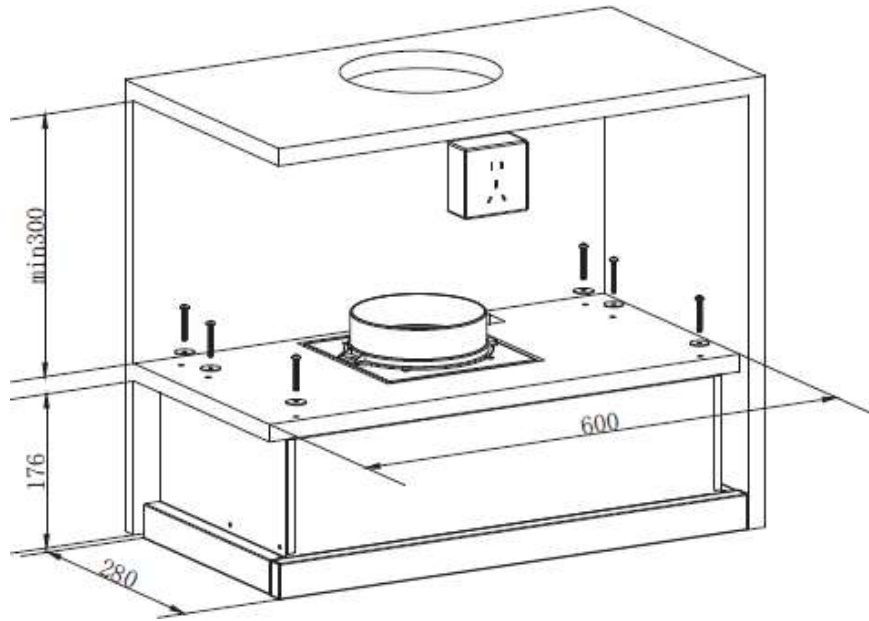
INSTALLAZIONE (montaggio su mobiletto)

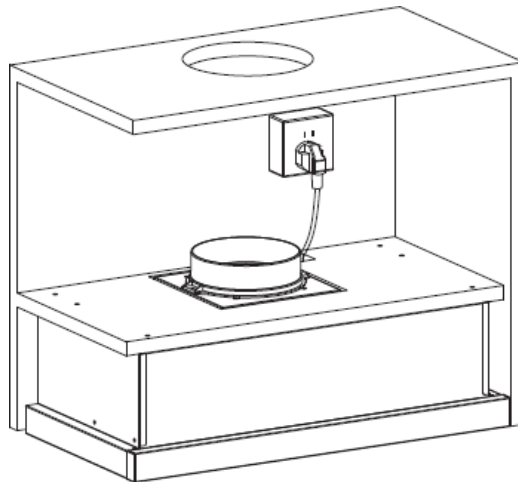
- Fissare la valvola unidirezionale all'uscita dell'aria della cappa.




- Montare la cappa sul mobiletto con 6 viti (4x35 mm) e rondelle piane.





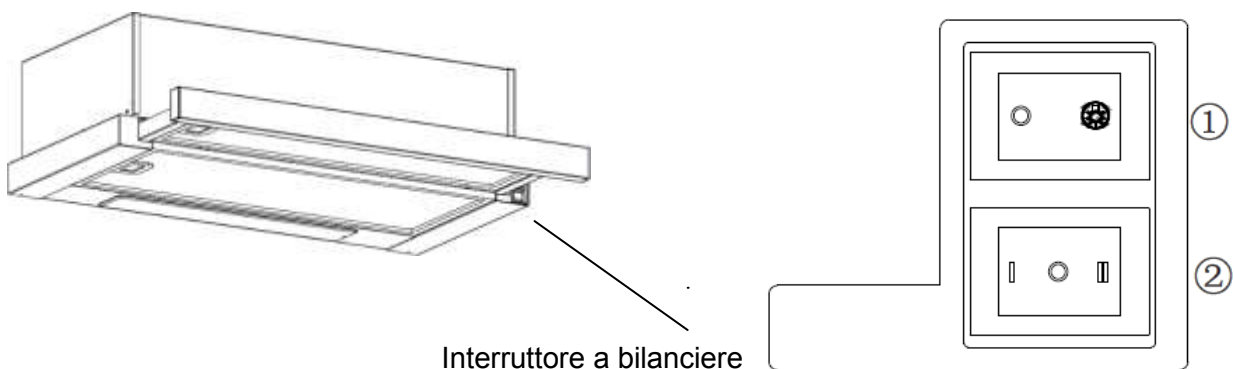


In caso di intercapedine tra la parete e la cappa, è possibile montare la staffa a L sulla parte inferiore della cappa con due viti (3 x 12 mm).
L'installazione della staffa ad L è opzionale. Nota: Il tubo di espansione non è incluso nel prodotto.

<p>ATTENZIONE</p> 	<ul style="list-style-type: none"> ➤ Per ragioni di sicurezza, utilizzare esclusivamente viti di fissaggio o di montaggio con le misure consigliate sul manuale di istruzioni. ➤ Se le viti o il dispositivo di fissaggio non sono installati seguendo queste istruzioni potrebbero verificarsi rischi elettrici.
--	---

Inizio dell'utilizzo della cappa

Interruttore a bilanciere



1. Inserire la spina di alimentazione nella presa.
2. Premere l'interruttore ① su x, la lampada sarà accesa; premere l'interruttore ① su "0", la lampada si spegne.

3. Premere l'interruttore ② su "I, II", il motore sarà su "basso, alto" due velocità, premere su "0", il motore sarà spento.
4. L'alimentazione sarà collegata quando si estrae il pannello frontale. Viceversa, l'alimentazione verrà automaticamente scollegata.

GUIDA ALL'INDIVIDUAZIONE DEI PROBLEMI

Anomalia	Possibile causa	Cosa fare
La luce è accesa, ma il motore non funziona	Interruttore ventola spento	Selezionare una posizione dell'interruttore della ventola.
	Interruttore della ventola difettoso	Contattare un centro assistenziale.
	Motore guasto	Contattare un centro assistenziale.
La luce non si accende, il motore non funziona	Fusibili dell'impianto domestico saltati	Ripristinare/sostituire i fusibili.
	Cavo di alimentazione allentato o staccato	Ricollegare il cavo alla presa di alimentazione. Attivare la presa di alimentazione.
Perdita di olio	La valvola unidirezionale e lo scarico non sono a tenuta	Smontare la valvola unidirezionale e applicare sigillante.
	Perdita dal raccordo della canna fumaria e dalla protezione	Togliere la canna fumaria e sigillare.
Le luci non funzionano	Lampadine rotte/guaste	Sostituire le lampadine come riportato in questo manuale di istruzioni.
Aspirazione insufficiente	La distanza tra la cappa e il piano di cottura a gas è eccessiva	Rimontare la cappa alla distanza corretta.
La cappa è inclinata	La vite di fissaggio non è serrata a fondo	Serrare la vite di supporto e rendere la cappa orizzontale.

NOTA:

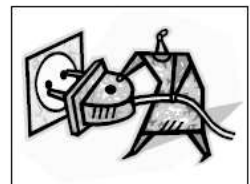


Tutte le riparazioni elettriche a questo elettrodomestico devono rispettare le normative locali, statali e federali. Si prega di contattare il centro di assistenza in caso di dubbi prima di intraprendere qualsiasi attività correttiva. Staccare sempre dalla rete elettrica l'elettrodomestico quando è necessario aprirlo.

MANUTENZIONE E PULIZIA

Attenzione:

- Prima di qualsiasi attività di manutenzione o pulizia, la cappa deve essere staccata dall'alimentazione principale. Accertarsi che la cappa sia spenta nella presa a muro e che la spina sia stata tolta.
- Le superfici esterne sono sensibili a graffi e abrasioni, pertanto si prega di rispettare le istruzioni di pulizia per essere certi di ottenere il miglior risultato possibile senza danni.



AVVERTENZE GENERALI

La pulizia e la manutenzione devono essere effettuate con l'elettrodomestico freddo, in particolare le attività di pulizia. Evitare di lasciare sostanze alcaline o acide (succo di limone, aceto, ecc...) sulle superfici.

ACCIAIO INOSSIDABILE

L'acciaio inossidabile deve essere pulito con regolarità (cioè una volta alla settimana) per garantirne una lunga durata. Asciugare con un panno soffice pulito. Si può utilizzare un detergente liquido specializzato per acciaio inossidabile.

NOTA:

Accertarsi di pulire lungo la venatura dell'acciaio inossidabile per evitare graffi incrociati superficiali che sono antiestetici.

SUPERFICIE DEL PANNELLO COMANDI

Il pannello comandi ad incastro può essere pulito con acqua tiepida e sapone. Accertarsi che il panno sia pulito e ben strizzato prima di iniziare la pulizia. Utilizzare un panno morbido e asciutto per togliere l'eventuale acqua lasciata dopo la pulizia.

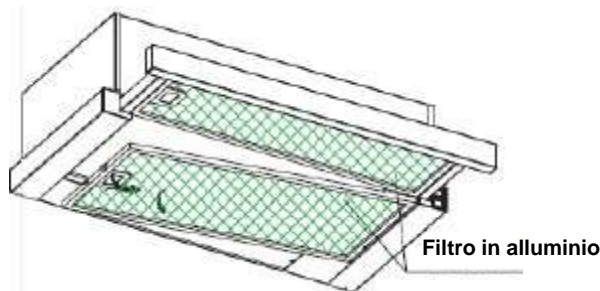
Importante

Utilizzare detergenti neutri ed evitare prodotti chimici potenti, detergenti domestici aggressivi o prodotti contenenti sostanze abrasive, che potrebbero danneggiare l'estetica superficiale del prodotto e rischiare di cancellare le grafiche sul pannello di controllo, annullando così la garanzia del produttore.

FILTRI A RETE PER GRASSI

I filtri a rete possono essere puliti manualmente. Tenerli in ammollo in acqua e detersivo sciogli-grasso per circa 3 minuti, quindi strofinare delicatamente con una spazzola morbida. Non applicare una pressione eccessiva per evitare di danneggiarlo. (Lasciare asciugare naturalmente al riparo dalla luce diretta del sole)

I filtri devono essere lavati separatamente dalle stoviglie e dagli utensili da cucina. Si consiglia di non utilizzare il brillantante.



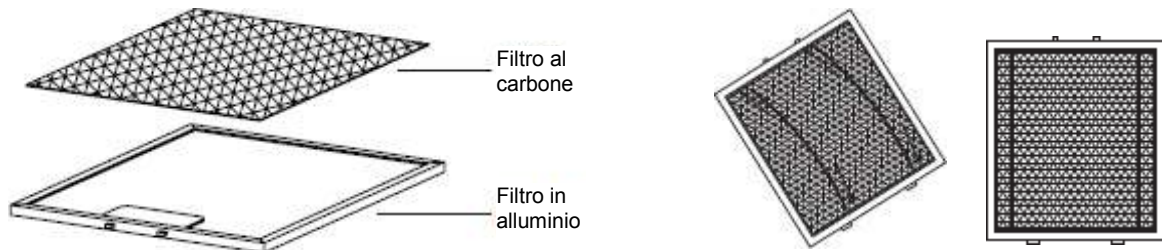
MONTAGGIO DEI FILTRI A RETE PER GRASSI

- Per il montaggio dei filtri seguire le quattro fasi riportate qui di seguito.
- Disporre ad angolo il filtro nelle fessure nella parte posteriore della cappa.
- Premere il pulsante sull'impugnatura del filtro.
- Rilasciare l'impugnatura quando il filtro si inserisce a fondo.
- Ripetere la procedura per il montaggio di tutti i filtri.

FILTRO AL CARBONE

Il filtro al carbone attivo si utilizza per filtrare gli odori. Normalmente il filtro al carbone attivo si deve sostituire ogni tre o sei mesi a seconda delle abitudini di cottura. La procedura di montaggio del filtro al carbone attivo viene riportata qui di seguito.


1. Mettere il filtro al carbone sul lato posteriore del filtro in alluminio.
2. Inserire il filo d'acciaio nel telaio del filtro in alluminio, uno per lato. È necessario piegarlo per inserirlo nell'altra estremità del telaio.
3. Assicurarsi che il filo d'acciaio fissi il filtro al carbone sul filtro in alluminio.



NOTA:

- Accertarsi che il filtro sia fissato saldamente. In caso contrario, il filtro potrebbe staccarsi e provocare danni.
- Quando il filtro al carbone attivo è collegato, la potenza di aspirazione diminuisce.

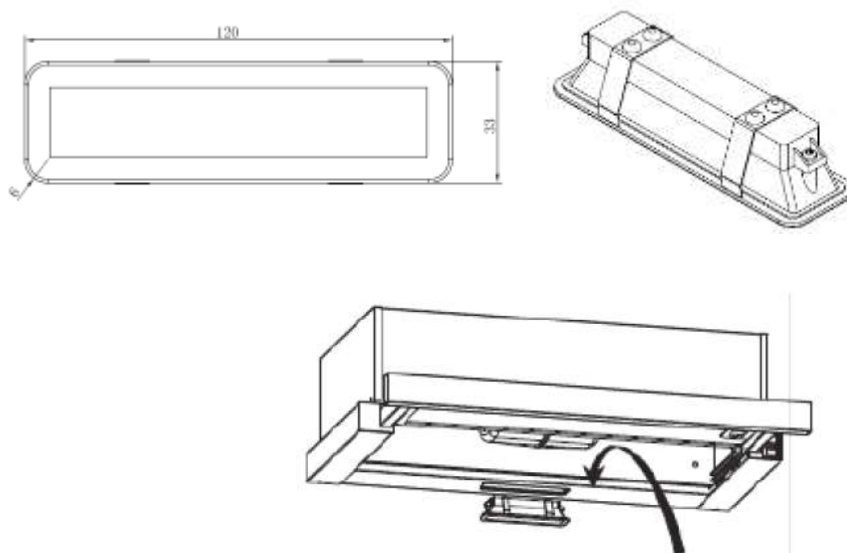
SOSTITUZIONE DELLE LAMPADINE

<p>Importante:</p> 	<ul style="list-style-type: none">✧ La lampadina deve essere sostituita dal produttore, da un agente autorizzato o da personale parimenti qualificato.✧ Spegnere sempre l'alimentazione elettrica prima di effettuare qualsiasi operazione sull'elettrodomestico. Durante la manipolazione delle lampadine, accertarsi che siano totalmente raffreddate prima di toccarle direttamente con le mani.✧ Quando si maneggiano le lampadine, tenerle con un panno o guanti per essere certi che la traspirazione non entri in contatto con la lampadina, perché ciò potrebbe ridurre la durata della lampadina stessa.
--	---


Sostituzione della luce

Utilizzare il cacciavite per allentare la vite autofilettante ST4*8 mm (2 pezzi) dal pannello di illuminazione, estrarre il dispositivo di illuminazione. Aprire la morsetteria collegata con il cavo, scollegare il connettore del cavo e sostituire la lampada.

- Il codice ILCOS D per la lampada è: **DBS-2/65-H-120/33**
- Moduli a LED – lampadina rettangolare
- Max. potenza in W: 2 W
- Intervallo di tensione: ca 110-240 V
- Ingombri:



PROTEZIONE AMBIENTALE:

	<p>Questo prodotto è contrassegnato con il simbolo relativo alla raccolta differenziata di apparecchiature elettroniche di scarto. Ciò significa che il prodotto non deve essere smaltito come rifiuto domestico ma tramite una raccolta differenziata, in accordo con la Direttiva 2012/19/UE. Sarà quindi riciclato o smantellato in modo tale da ridurre al minimo gli impatti sull'ambiente; i prodotti elettrici ed elettronici sono potenzialmente pericolosi per l'ambiente e la salute dell'uomo a causa della presenza di sostanze pericolose. Per ulteriori informazioni, si prega di rivolgersi alle autorità locali o regionali.</p>
--	--

NOTA:

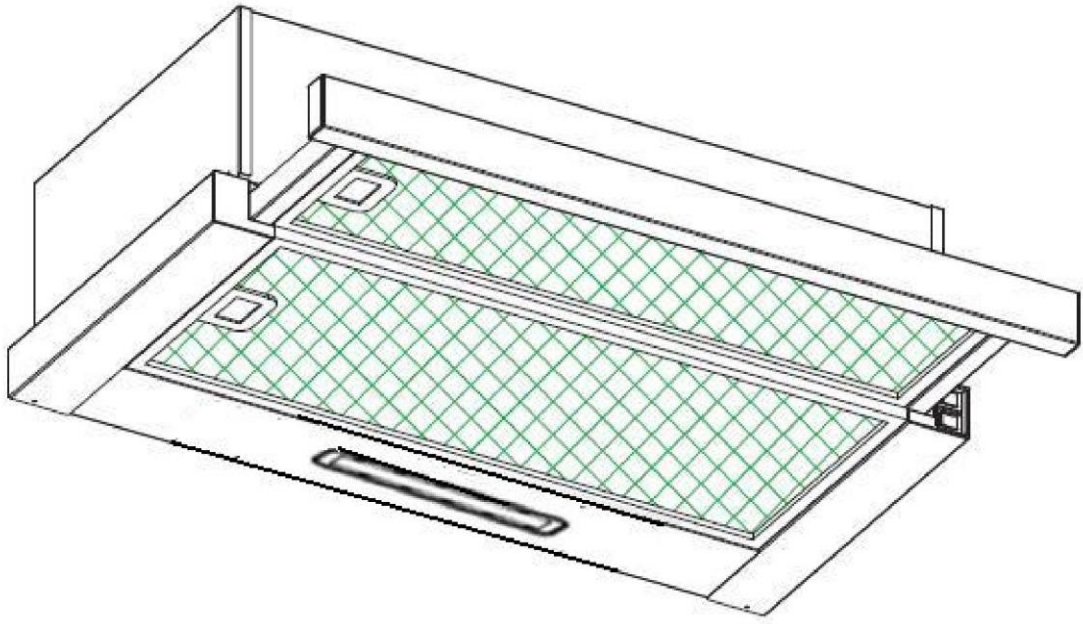
Qui di seguito viene indicato come ridurre l'impatto ambientale totale (ad esempio l'uso di energia) del processo di cottura.

- (1) Montare la cappa in un luogo adatto, con ventilazione efficiente.
- (2) Pulire con regolarità la cappa in modo da non ostruire il passaggio dell'aria.
- (3) Non dimenticarsi di spegnere la luce della cappa dopo la cottura.
- (4) Non dimenticarsi di spegnere la cappa dopo la cottura.

INFORMAZIONI SULLO SMALTIMENTO

Non smantellare l'elettrodomestico con un metodo diverso da quello riportato sul manuale di istruzioni. L'elettrodomestico non può essere smantellato dall'utente. Al termine della vita utile, l'elettrodomestico non può essere smaltito con i rifiuti domestici. Contattare le Autorità Locali o il concessionario per ottenere informazioni relativamente al riciclo.

شفاط البوتاجاز كتيب التعليمات



المحتويات

بتعليمات لخدمة.....	88
التأويب.....	89
بعداستخداماتطبوتاجازالخطربك.....	90
استكشاف الأعطال وإصلاحها.....	91
الصيالاتتتينظيف.....	92
حلميقبليزية.....	93

تعليمات السلامة

يوضح هذا دليل طبي فائق لتوحي بل صبح حة يكي في ساس ت خدتم فاطم بوت اجاز ال بحص بك، نل ي ر جى ق ر لبعن اية قبل للات خدام ضى وإن كت على درايع بالمتج. في جب الاحتفاظ بالليفي مكان آمن للرجوع إليه في المصنوع قبل.

سوف تتوفر هذه التعليمات أيضا في تلك البجيلة، في سيكيكنا للم، على موقع ويبيدأوفر في شكل أخير مثل قرص DVD في حال طلب ال عي لذلك.

ببتعد دوّمًا عم اولي لي:

- لا توجل است خدش فاطم بوت اجاز دون مرشحات لئش حوم أوفي حال ترك لمش حوم قبل راط على المرشحات!
- لا تقم بتكيلي المش فاطم بوت اجاز مزوب بشيء في متوى عال.
- لا تترك في القولي دويمت ابغث ناء الاستخداج في ي لمن أن يتسببتس مخن لاد مون ولني بوتمش كل فمراط في احتراقها.
- لا تترك بلدًا لبعًا لمش فاطم بوت اجاز.



- لا توجل است خدالمش فاطم حلك عرض لولتلف.
- لا توجل للني فتحت شفاط لبوت اجاز.
- تقبقيه بتص بح الأجزاء التي ي لمن لاوص ولليها ساخنة استخداهم مع أدوات لطمي.
- قائل مسلفبقي نلسطح ال حامل لأوعيل طهي ال موجود غلوج البوت اجاز ول جني سافل ي شفاط بوت اجاز. (عن بوض شفاط بوت اجاز فوق جواي عمل بل غاز، ي جب ألا تقال مسرفة عن 65م)
- ي لخب تفسي غال هواء بجر مصرف ال غاز اتل مسخدم لإخراج أدخنة عادم الأجهز التي تعطل ال غاز أنواع الوقود الأخرى.



خلفظ دوّمًا في م اولي لي:

- م هم! احرص دوّمًا في فصل ص در لك هباء من المصنوع أي يهي أثناء إجراء أعم الليكي وال الصني مثل استبطل مصباح الإضاءة.
- ي جب بتريكي شفاط لبوت اجاز فوقاً لإرشادات لتريكي ولم في سلك بعة.
- ي جب إجراء عملي أعم ال لتفوي ب قنيل شخص مخص أو كصواي مؤهل.
- ي ر جى لتفحص من مواد لتفوي فبجيلة الأهل ككتر عرضة لها.
- احترس من ال جاف ال حادة ل موج وهد داخل شفاط لبوت اجاز ولا سيلمثن الليكي لمبتون ظيف.
- عتثيت شفاط لبوت اجاز على جها زيجل بال غاز، ي جب أنتكوزال مسرفبقي نلسطح ال حامل لأوعية لاطي على لولج لبوت اجاز ول جني سافل شفاط لبوت اجاز ي لي:
- بتواجزات ال غاز: 75 مم
- بوت اجاز اتل لعر باء: 65 مم
- بوت اجاز اتل فحم أورالفط: 75 مم
- تأكد من أن قنوات نلاحتوي في ان حناءات أحد من 90 درجة حيث إن قلكي قتل مكفلة شفاط لبوت اجاز.
- تحفي ن قدي ودي تعشمبقي البراغي لتبتي ال جها ز فوق ال هذه الإرشادات لى لتعوض لم خاطو لوبية
- تحفي رقب بل م جلة ال وصل إلى الأطراف ي جب فصل جميع دوائر الإمداد.

مخلف دومًا غوي مائلي:

- احرص نظامًا غوي وضع أغذية غوي الأولي والقلبي وحد ليطه على بوتاجات غاز.
- غوي هيكون في وضع الإخراج يتم طرد لهواء من الوخفة بلبوسة شفاط لبوتاجاز. ولذا يُرجى للتأكد من مراعاتها التهوي فلأسبب طرد شفاط لبوتاجاز لروائح من الغوفة ولا يطرأ بخار.
- شفاط لبوتاجاز مخصص للاستعمال المنزلي فقط.



● في حال التلوث للتلوث غذية غوي بلبوس نظيفه بواسطة الشركة المصنعة، أو لغوي الخدمة الخاص بها أو الأثر الخاص للمؤهل في الدرع قبل تفيدال تعرض للخطر.

- يُمكن أن يمتد خدم هذا لاجاز الأطفال للبالغه أعمارهم 8 سننوات أو أكثر والأشخاص الذين يعانون من نقص في العقلية، أو العقلية، أو الأشخاص الذين ليسوا ذوي خبرة أو المرفعة إذ خضعوا للإشراف أو قد تمت لهم تعليمات لتبشأن لتخدم لاجاز بطريقة آمنة وكان لهي هدف للمخاطباتي ينطوي غوي ها يجب ألا يلعب الأطفال البالغ هاز يجب عدم قيام الأطفال بتنظيف وأعمال صيانة لخدمتخدم دون إشراف.



- تحفي رقبيل موجهة الوصول إلى الأطراف يجب فصل حميع دوائر الإمداد.

مخلف دومًا غوي مائلي:

● تبين يمكن أن يصيب جاجاز وأجزاء التي يمكن للوصول للبي سربخ أنشال كغسل. احرص على فتادي لمس العين والساخنة يجب على الأطفال اليفرتقل أعمارهم عن 8 سنن وانلقيله بعيدًا لم يكونوا تحت إشراف لئم.

● يجب توفير تهوية قبل مكان عند تشغلي شفاط البوتاجاز في وقت تشغلي أجهزه أخرى تعمل على الغاز أو أنواع الوقود الأخرى.

● ومن المهم للتعرض لمخاطبات حريق إلا ليجب لتنظيف فوق التفتي مات

● يجب أن يمتد لعل ويتم إطفاء بتفسي غال هواء.

● نطف ج هازك دوريًا من خلال تباع للطريقة الواردة في صيانة.

● لأسباب تحفي قرب السلامة يرجى إخراجها من خارج البيت أو تركها بمقاسات محال لقم قبل اتل موصى به في دليل الاستخدام مطلق.

● يجب أن يمتد لعل بمتلف فصل حول وطيقة وعدد مرات إجرائه يرجى لارجوع على قس لمصو اللتتو نظيف في دليل الاستخدام.

● يجب عدم قيام الأطفال بتنظيف وأعمال صيانة المسمتخدم دون إشراف.

● في حال تشغلي شفاط لبوتاجاز والأجهز التي تعمل بمصادر طاقة غير الكهرباء في وقت واحد، يجب أن يمتد لعل غلط عكسي في المكان 4 اسكال (4 × 10-5 بار).

● تحفي ر: خطر الحريق: لاتخزن الأغراض غوي أسطح طهي.

● تحنب استخدالم من ظف الهخاري.

● لاتحاول مطلقًا إطفاء حريق بالماء، ولكن أوقف تشغلي اليممزم بت غطي لل ميباستخدم غطاء أو بطيئة حريق نبالًا.

التركيب (منفذ خارجي)

تركيب رفرف على شكل حرف V (اختياري)

إذ لم يكن شفاط بوتاجي حثبي على رفرف على شكل حرف V مُجمَع 1 يجب عليك تركيب نصف الأجزاء على جسمه بتظهر للص ورفقط نمّ الأثني لثبي تركيب رفرف على شكل حرف V، قد يكون له في هذا موضعاً فوق اللطرازات الوتالينات المختلفة.

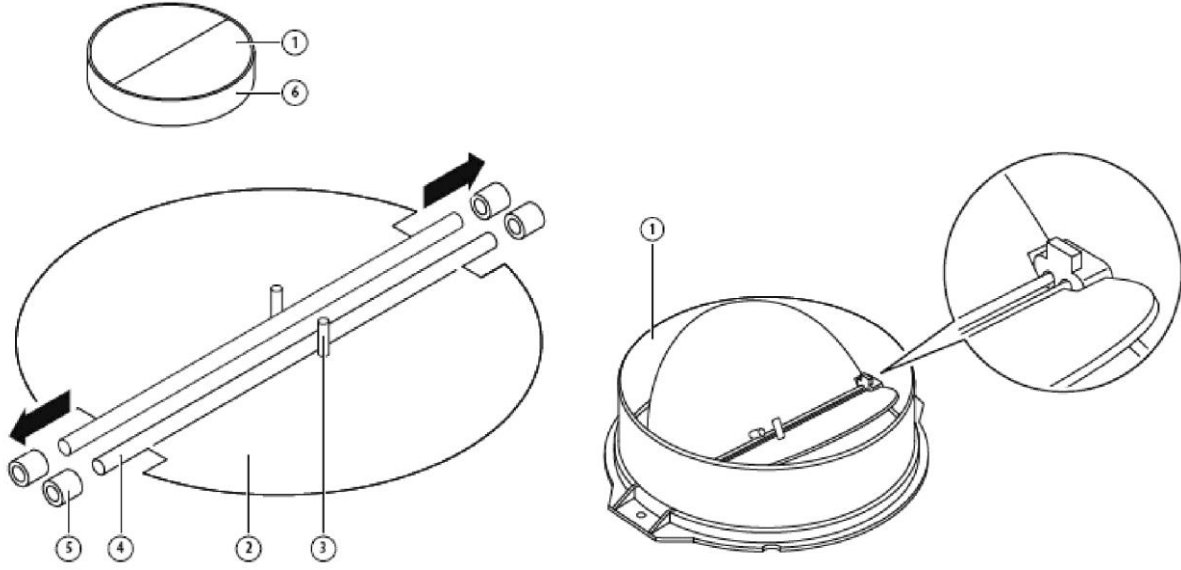
لتركيب رفرف على شكل حرف V 1 يجب عليك:

قم بتركيب بلين هسويين 2 على جسم 6

يجب أن يكون لول خابور 3 موجّه الأثني؛

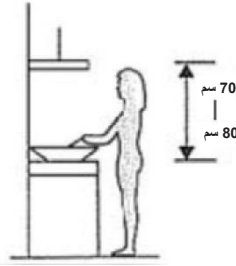
يجب إدخال لام حور 4 في ثقب 5 على جسم؛

• كرري عمل عمل ياتفيلن ص فللثلي

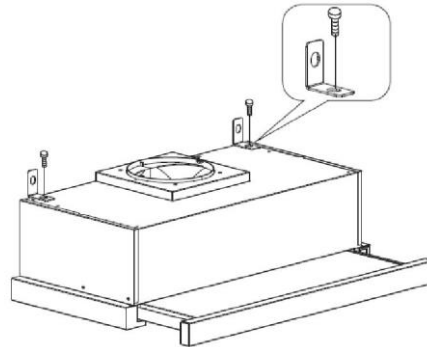


التثبيت الثبتي على الحائط

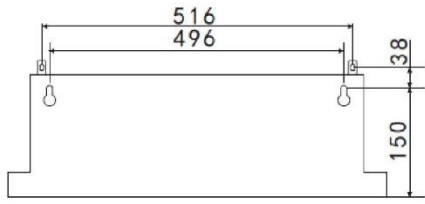
1. حدد موقع الثقب لتثبيت شفاط بوتاجي.



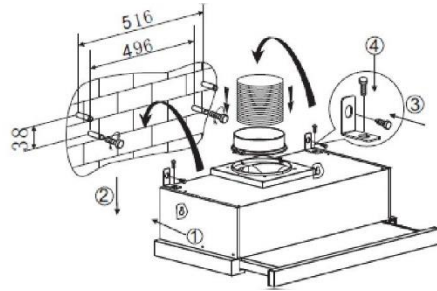
2. تثبيته في ثقب على شكل حرف L أعلى لثواط بولرطوغيني (4 مم × 10 مم)



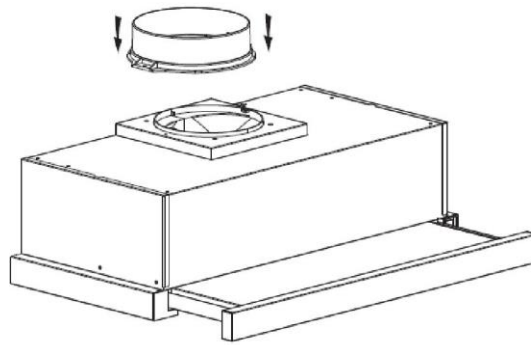
3. شفط الطبوت اذ ثبتت على طلاء طبواسة 4 براغي (4 مم × 30 مم) وقلم سحاي طبق تمركي بشفط الطبوت اذ
 على طلاء ط من ال جزل على في من شفط الطبوت اذ طبواسة طقبري غين (4 مم × 30 مم) وقلم سحاي طبق تمركي بشفط
 شفط الطبوت اذ على طلاء طبواسة طقبري غين (4 مم × 30 مم) وقلم سحاي ط من خلا لتي في غيرة على شكل
 حرف L.



60 سم

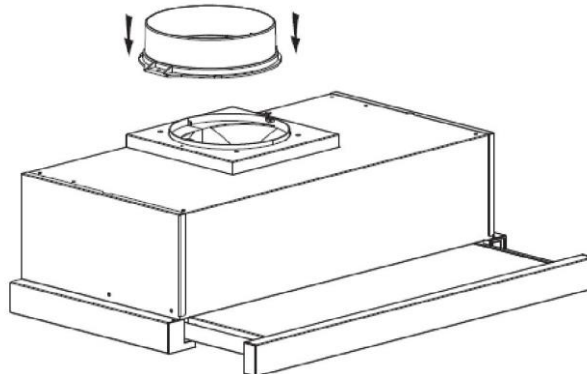


4. تثبيت الصمام أحادي الاتجاه مخرج العولاش فاطبوت اذ.

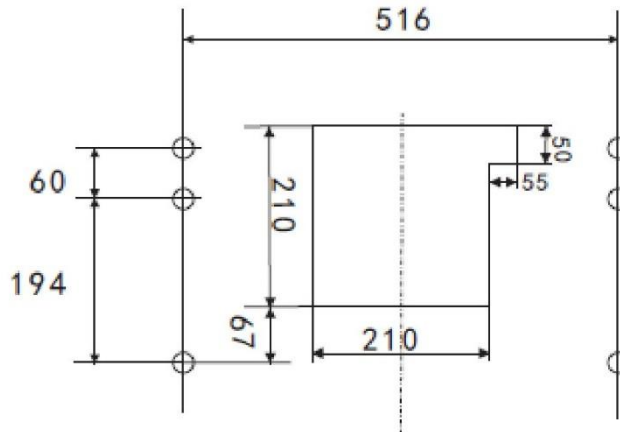


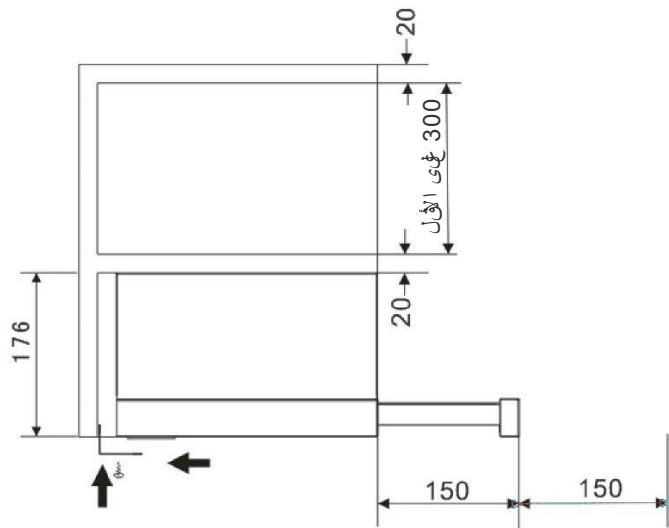
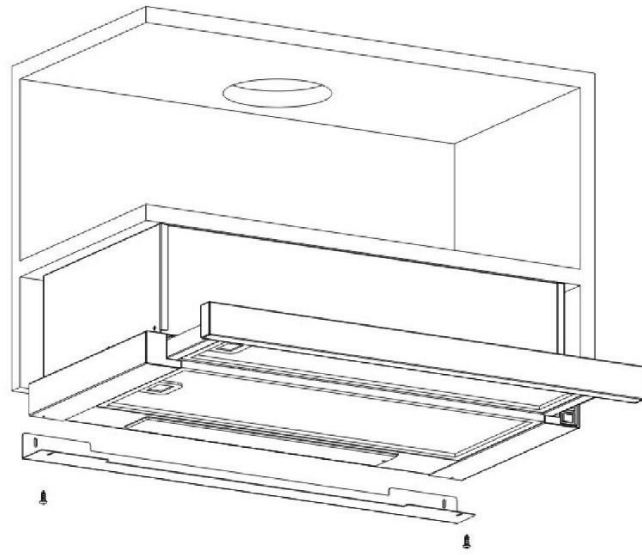
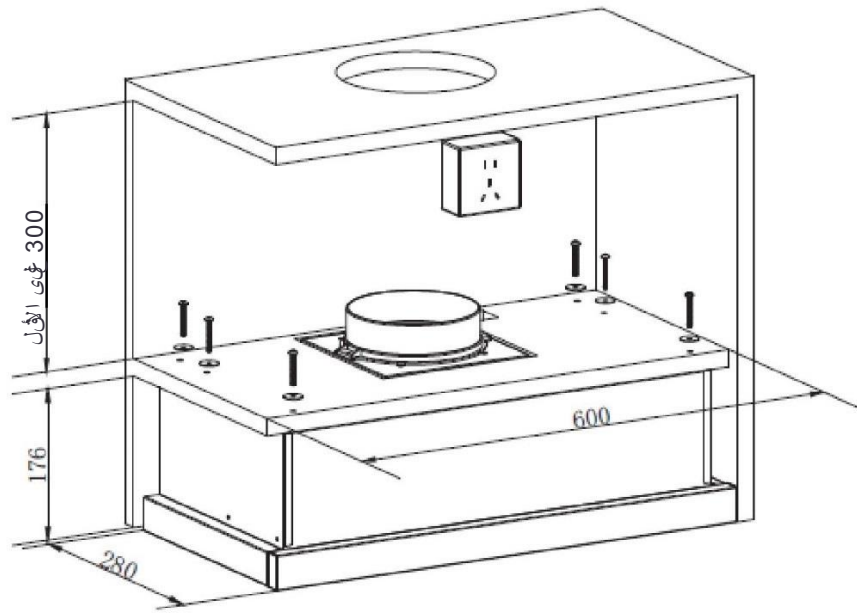
التثبيتي (تثبيت على ال خزنة)

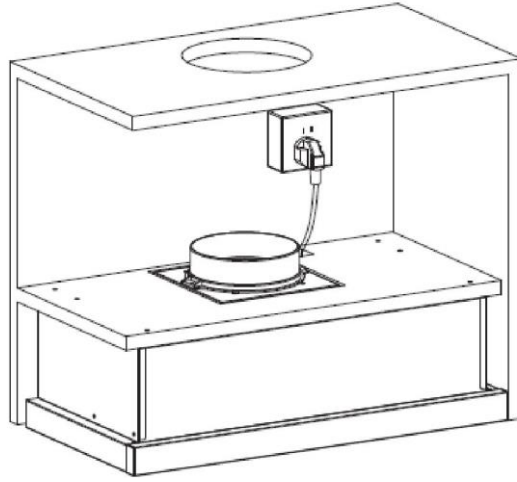
1. تثبيت الصمام أحادي الاتجاه مخرج العولاش فاطبوت اذ.



2. تثبيت شفط الطبوت اذ على ال خزلة قبلت خدام 6 براغي مقاس (4x35 مم) فولكات مسطحة.







إذا كلنت من الفج ويقين الج داوش فاط بوتاجاز فيلن كتر كتي بي فة على شركل حرف أيلن فلل شواط بولن طق بريغين
(3 × 12 مم).
كيتيو كتي فة على شركل حرف L لتخياري.
ملاحظة: يفتضم مين أن بوللت مدي ان تاج.

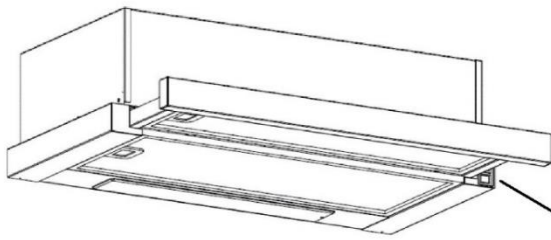
◀ لأبابت عمل قب السلامة، يرج طيس ت خدام بر لتغثي بيت لتوركيب
بمقبرات مكاللن مقاسات الموصيب هيليل ال استخدام هلقط.
◀ قدي يؤدي عدم تثبيت للراغي أوتثبيت لاج هاز فوق ال هذه الإرشادات
إلى الت عرض لم خاطر كره بية.

تخير:

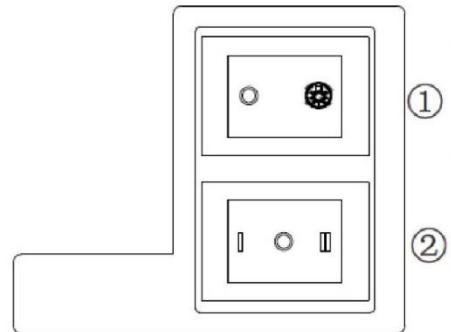


بدء استخدام شفاط البوتاجاز الخاص بك

المفتاح المتأرجح



مفتاح المتأرجح



1. أدخل ايس لظلة في القبس.

2. ادفع المفتاح 1 إلى "0" لتغيب المصباح؛ ادفع المفتاح 2 إلى المصباح.

إرشادات عامة

يجب إجراء الأعمال نظيفاً وليس يانة حتى دهيكون الجهاز بارداً ولا سيط عن نطالن نظيفتجنب ترك المواد القوية (أوال حمضية) عصياللي موم، ولاخله وما إلى ذلك (على الأسطح).

الفولاذ المقاوم للصدأ

يجب تنظيفه لولاذا لاقاوم للمصدايمفة منتظمة (لأبوعجاً نبالاً) لضم ان طول اللمتوقج عصفه بقماش ناعم ونظيف يمك انستخدام اسائى نظيف مخص صوال فولال مقاول صداً.
ملاحظة:

تأكد من إعمال مسجاضفة صوب الفولاذ لولالم للصلأ لرفع ظمور لى أنماط من الخدوش التي تعوق اللمة.

واجهة لوحة التحكم

يملك تنظيف لوح قتلحك الموصى به استخدام الماء الفيل صربلن يتأكد من نظافة القماش وعصره جي قابال لتنظيف بلخدم قطعة قماش ناعمة وبغسة لإزالة الأثرطوبة الزائفة بقى قبل عتنظيف.

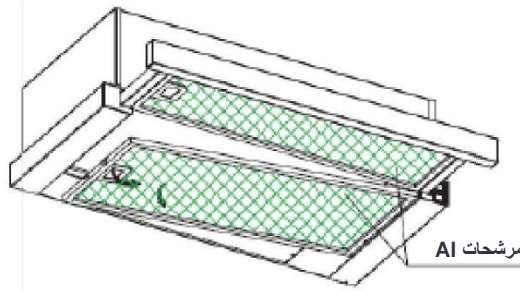
مهم

استخدم مفطت متغللة وتجن بلستخدام المنظف الكيمائى او يالق خشنة، أولمن نظفات البول يالق خشنة، أو لمن تجات لتيتضوي لعى موادكشطة، لأن تلك سيؤثر لعى مظهر الجهاز ويضمأ أنيؤدي لى إزالة أي عمل فني على اللمة التي تؤدي إلى إبطال ضمان الشركة المصنعة.

مرشحات شبكة الشحوم

ملكين تنظيف مرشح الشحوم في يد. لقعها لمددق ائق في اللمة استخدام نظف نيل لثل حوم بنظفها بوفق بلستخدام مرشاة ناعمة يريجى عدم اللض غطشدة، وتجنب الإضرار بها. بتركها لتجف طبيعياً لتعرضه للضوء لشمس المبلش (ر)

يجب غسل المرشح المتبم عزل عن الأواني الخلية وأدوات الطبخ. ولينسلت حسن عناستخدام أداة مساعدة للشطف.



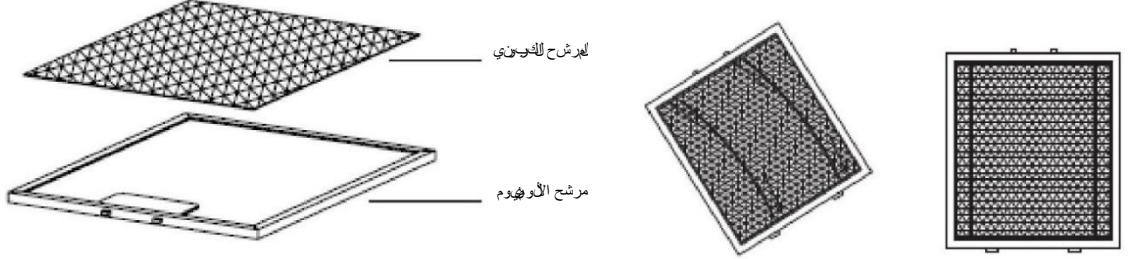
تركيب مرشحات شبكة الشحوم

- لعتك ببل مرشح، انتعال خطوات الأربعة الآتية.
- وجه المرشح ناحي قللة احتفبال جزع لعللي لشفاط.
- اض غطعل الالزرال مودعل بقق بلس المرشح.
- حرار اللمة بمرشحات لمرشح في وضع اللركون.
- لكرال خطوات لى ب جيعال مرشحات.

المرشح الكربوني

يمكن استخدام المرشح الكربوني لتنشيط لا يحتاج إلى رطوبة. عادةً ما يجب تغيير المرشح الكربوني لتنشيط خلال ثلاثة أسابيع أو أكثر من وقتها عادةً لتنشيطه لا يفسد بكتيريا أو فطريات.


1. ضع المرشح الكربوني على العلبة قبل الخلع من مرشح للأمان يوم.
2. خذ أسلاك الفولاذ في إطار مرشح الأمان يوم، واحذر على كل من بقايا مرشح الأمان لإدخالها في الطرف الآخر من الإطار.
3. تأكد من أن سلك الفولاذ مثبت بتمرحح الكربون على مرشح للأمان يوم.



ملاحظة:

- تأكد من أن المرشح مغلق بإحكام. وخلاف ذلك قد يؤدي إلى تسرب خطر.
- يجب ترك المرشح الكربوني في مكانه حتى ينشيطه في وقت لاحق.

استبدال المصباح

<p>يجب استبدال مصباحي واطبق الشركة المصنعة، أو تويو الخدمة الخاصة بـ هـ، أو الأشخاص المؤهلين في منشأة كل من أمثال.</p> <p>✦ احرص دائماً على إيقاف التيار الكهربائي قبل إجراء أي عمل على الجهاز. عند التعامل مع المصباح تأكد من بروتة تمام قبل أن تتلمسه مباشرة ببيديك.</p> <p>✦ عند التعامل مع أغذية تثر الإضاءة المسبقة بقطعة قماش أو فازلين لضمان عدم وصول عرق إلى الغطاء، حيث قد يؤدي ذلك إلى تقليل عمر الغطاء.</p>	<p>هام:</p> 
--	---

تغيير المصباح

استخدم فمالة برغيك برغي ربطات لولبة ST4*8 مم (بوغيان) من لوحة الإضاءة ثم أخرج تتركيبات الإضاءة. افتح صناديق أطراف المصباح التي تتصل بالأسلاك فاصل وصل للأسلاك لتسهيل المصباح.

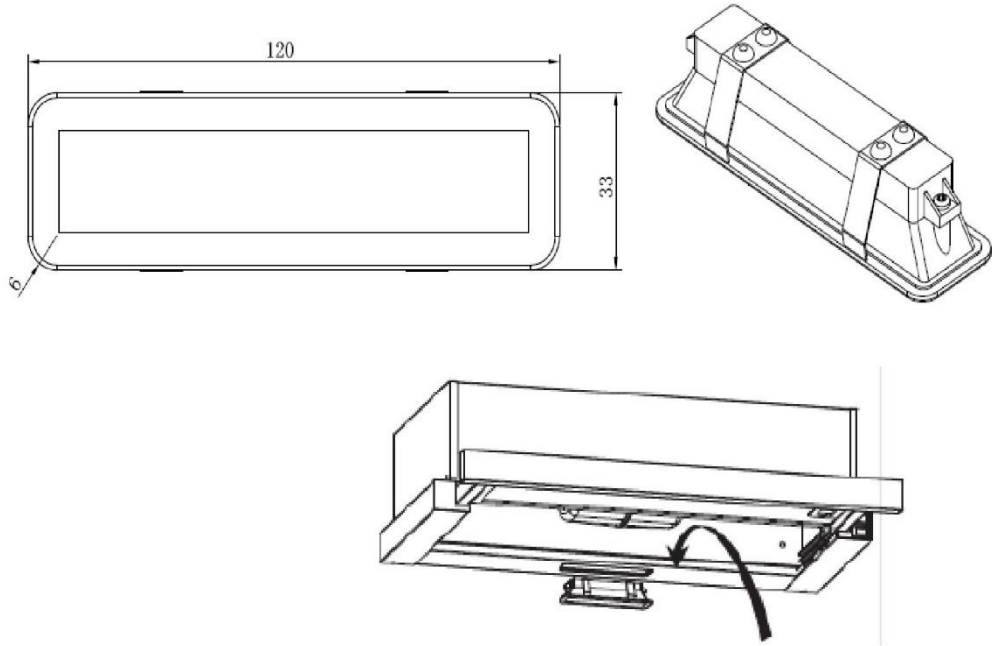
• رمز نظام الترمز الأول لمصابيح (LCOS D) لاطن مصباح هو: DBS-2/65-H-120/33

- وحدات مصباح LED - مصباح مستطيل

- الحد الأقصى للقدرة الكهربائية: X21 واط

- نطاق الجهد الكهربائي: 220-240 فولت

- الإعداد:



الحماية البيئية:

تم تمييز هذا المنتج رمز فالمي تصنيص الأثرية؛ وللمعدات الإلكترونية طيفت الفة. وهذا يعني أن هذا المنتج يجب ألا يتم التخلص منه مع القمامات المنزلية ولكن يجب أن يكون مدعومًا بنظام جمع القمامات فوق التوجيه الاتحاد الأوروبي رقم 2012/19/EU بشيء عادت دورته أو فصلها من قبل الأثرية على البيئة، حيث إن المنتج الكهربي والإلكتروني قد تكون خطرة على البيئة وصحة الإنسان بسبب وجود المواد الخطرة. لمزيد من المعلومات، يرجى الاتصال بالمصنعة المحلية أو الإقليمية التي يجب على لها.



ملاحظة:

- فبيجيو وضو جوفنكية الحد من الأثرية للمضي الكلي يجب ليس يلي أمثال استخدام الطاقة (تحميل البطارية).
1) ركاب شفاط للهواء اذ في مكان فيلس ببيتتوجت هي القفلية.
2) نظف شفاط للهواء اذ في نظام ضي لاتسد مخرج الهواء.
3) لاتنس إهداء صبا شفاط للهواء اذ بعد الطهي.
4) لاتنس طبق افنتش في شفاط للهواء اذ بعد الطهي.

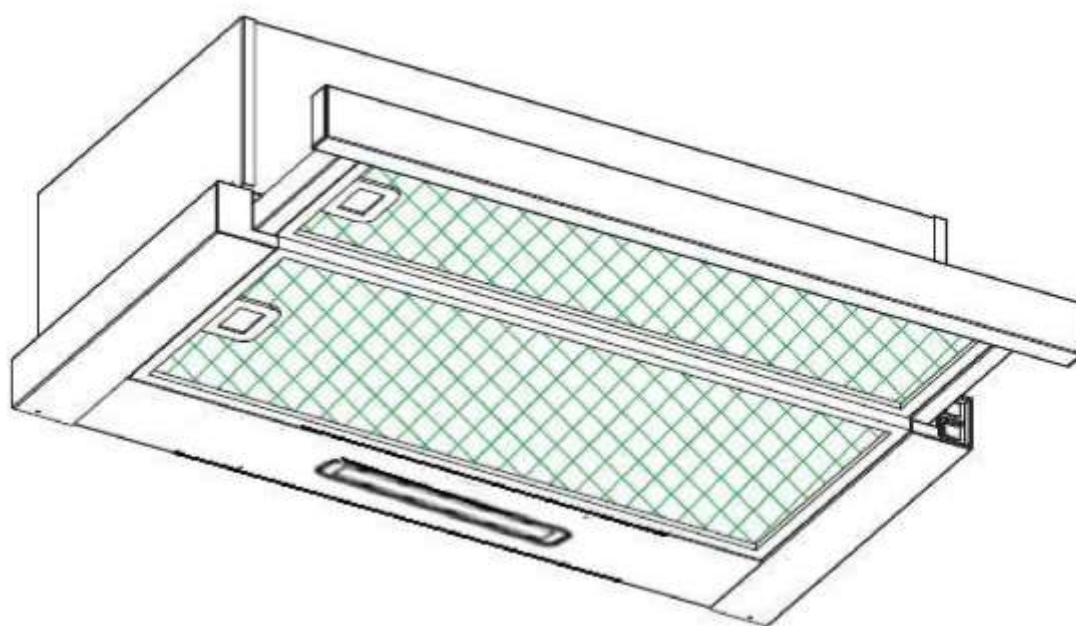
معلومات حول التفكيك

تلفكك الازبوطيق تمخفة علال طريقة الوارد في دليل الاستخدام. لا يمكنك فكك الازبوطيق من قبل مستخدم. لايجب التخلص من الازبوطيق لم الظننت خلص من الفنايت المنزلية، عن انتهاء عمره الافتراضي. ارجع إلى المصنعة للتدوير أو الموظف للمفوض للحصول على مشورتيش أن إعاة التدوير.

CBT6130/3X

Kuchyňská digestoř

Návod k použití



Obsah

1.....	Bezpečnostní pokyny
2.....	Instalace
3.....	Pokyny k použití kuchyňské digestoře
4.....	Řešení problémů
5.....	Údržba a čištění
6.....	Ochrana životního prostředí

BEZPEČNOSTNÍ POKYNY

V tomto návodu vysvětlujeme správnou instalaci a použití vaší kuchyňské digestoře. Seznamte se s tímto návodem ještě před použitím digestoře, i když budete se samotným výrobkem obeznámeni. Návod uschovejte na bezpečném místě k případnému nahlédnutí v budoucnosti.

Tento návod je také dostupný v dalším formátu, například na webové stránce, případně si ho uživatel může vyžádat například na DVD disku.

Vyvarujte se těchto aktivit:

- Nepoužívejte kuchyňskou digestoř bez tukových filtrů, nebo pokud budou filtry nadměrně zanesené tukem!
- Neinstalujte digestoř nad kuchyňskou varnou desku se zvýšenou mřížkou.
- Nenechávejte pánve na smažení během použití bez dozoru, protože přepálené tuky nebo oleje se mohou vznítit.
- Nikdy nenechávejte pod kuchyňskou digestoří hořet otevřený plamen.



- Jestliže se kuchyňská digestoř poškodí, nepoužívejte ji.
- Pod kuchyňskou digestoří nepřipravujte pokrmy metodou flambování.
- **VAROVÁNÍ:** Přístupné části se mohou při použití s kuchyňskými spotřebiči zahřát na vysokou teplotu.
- Minimální vzdálenost mezi nosným povrchem na kuchyňské nádobě na varné desce a nejnižším bodem kuchyňské digestoře. (Jestliže bude kuchyňská digestoř nainstalována na plynovém spotřebičem, nesmí být tato vzdálenost menší než 65 cm)
- Vzduch se nesmí odvádět do odtahového komínu, který se používá k odsávání výparů ze spotřebičů spalujících plyn nebo jiná paliva.



Vždy postupujte podle těchto pokynů:

- **Důležité!** Před zahájením instalace a údržby, například před výměnou žárovky, vždy vypněte přívod elektrické energie na síťovém rozvaděči.
- Kuchyňská digestoř se musí nainstalovat podle pokynů k instalaci a musí se dodržet všechny rozměry.
- Všechny instalační práce musí být provedeny kompetentní osobou nebo kvalifikovaným elektroinstalátérem.
- Obalový materiál odpovědně zlikvidujte. Děti by se o něj mohly poranit.
- Věnujte pozornost ostrým hranám uvnitř kuchyňské digestoře, zejména při instalaci a čištění.
- Při instalaci kuchyňské digestoře nad plynový spotřebič musí minimální vzdálenost mezi nosným povrchem na kuchyňské nádobě na varné desce a nejnižším bodem kuchyňské digestoře činit.
Plynové varné desky: 75 cm
Elektrické varné desky: 65 cm
Varné desky na uhlí nebo na olej: 75 cm
- Dbejte na to, aby trubkové vedení nebylo ohnuto o více než 90 stupňů, protože by se tím snížila účinnost kuchyňské digestoře.
- **Výstraha:** Nedodržení uvedených pokynů k instalaci šroubů nebo upínacího zařízení může mít za následek nebezpečí od elektrické energie
- **Výstraha:** Před získáním přístupu ke svorkám odpojte všechny napájecí obvody.

Vždy postupujte podle těchto pokynů:

- Při vaření na plynové varné desce používejte na hrncích a pánvích pokličky.
- V režim odsávání je vzduch z místnosti odváděn kuchyňskou digestoří pryč. Přijměte proto vhodná opatření k zajištění dostatečné ventilace místnosti. Kuchyňská digestoř odstraňuje zápachy z místnosti, nikoliv páru.
- Kuchyňská digestoř je určena pouze k domácímu použití.



- Je-li přívodní kabel poškozen, smí jej s ohledem na možné riziko vyměnit jen výrobce, jím pověřený pracovník servisu nebo osoba s podobnou kvalifikací.
- Toto zařízení nesmějí používat děti mladší 8 let věku, ani osoby s omezenými fyzickými, sensorickými nebo mentálními schopnostmi, případně nedostatečnými zkušenostmi a znalostmi, pokud nepoužívají zařízení pod dohledem nebo pokud nebyly o jeho bezpečné obsluze poučeny a neporozuměly možným rizikům. Zařízení není určeno pro děti na hraní. Děti nesmí provádět čištění a uživatelskou údržbu bez dozoru.



- Výstraha: Před získáním přístupu ke svorkám odpojte všechny napájecí obvody.

Vždy postupujte podle těchto pokynů:

- Varování: Spotřebič a jeho přístupné součásti se mohou při provozu zahřívat na vysokou teplotu. Dávejte pozor na to, abyste se nedotkli topných prvků. Děti mladší 8 let se nesmí pohybovat v blízkosti digestoře, ledaže budou pod trvalým dohledem.
- Při společném použití kuchyňské digestoře se spotřebiči spalujícími plyn nebo jiná paliva je potřeba zajistit dostatečnou ventilaci místnosti.
- Jestliže nebudete provádět čištění podle pokynů v tomto návodu, hrozí nebezpečí vzniku požáru.
- Je potřeba splnit požadavky předpisů upravujících odvod vzduchu.
- Čistěte svůj spotřebič pravidelně podle pokynů uvedených v kapitole ÚDRŽBA.
- Z bezpečnostních důvodů používejte pouze upínací nebo montážní šrouby ve velikostech doporučených v tomto návodu k použití.
- Podrobné pokyny k čištění a informace o četnosti čištění naleznete v části tohoto návodu k použití věnované preventivní údržbě a čištění.
- Děti nesmí provádět čištění a uživatelskou údržbu bez dozoru.
- Jestliže budete souběžně používat kuchyňskou digestoř a spotřebiče napájené jinou než elektrickou energií, nesmí podtlak v místnosti překročit hodnotu 4 Pa (4 x 10⁻⁵ bar).
- VÝSTRAHA: Nebezpečí požáru: na varném povrchu neskladujte žádné předměty.
- Nepoužívejte parní čistič.
- NIKDY nehaste oheň vodou, ale vypněte spotřebič a pak plamen zakryjte, např. poklicí nebo protipožární rouškou.

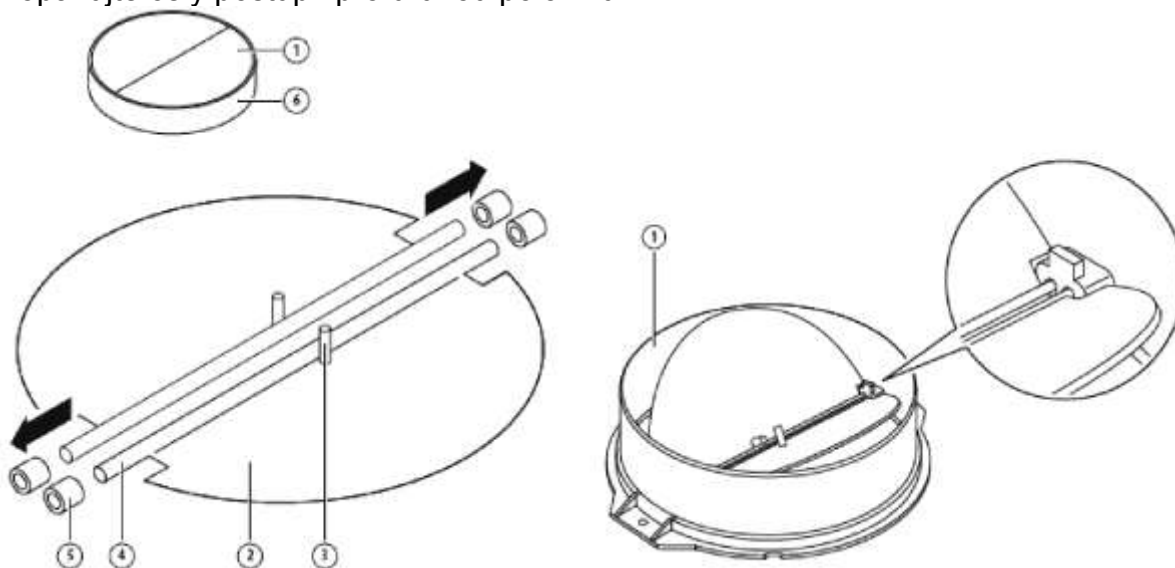
INSTALACE (ODVOD VEN)

MONTÁŽ ZPĚTNÉ KLAPKY (volitelný prvek)

Jestliže kuchyňská digestoř nebude mít namontovanou zpětnou klapku 1, měli byste k jejímu tělu připevnit obě poloviny. Na obrázcích vidíte pouze příklad instalace uzavírací klapky; výstup může být jiný v závislosti na konkrétním modelu a konfiguraci.

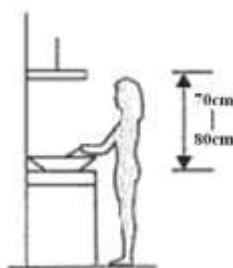
Při montáži zpětné klapky 1 byste měli:

- připevnit dvě poloviny 2 k tělu 6;
- kolík 3 by měl směřovat nahoru;
- osu 4 je potřeba zasunout do otvorů 5 na těle;
- opakujte celý postup i pro druhou polovinu.

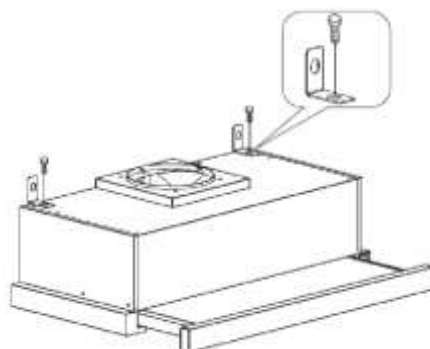


INSTALACE (nástěnná montáž)

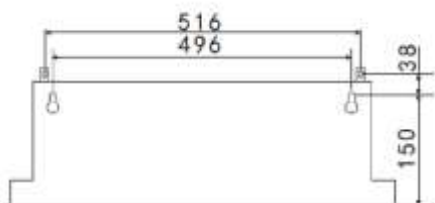
1. Vyberte polohu otvorů pro připevnění kuchyňské digestoře.



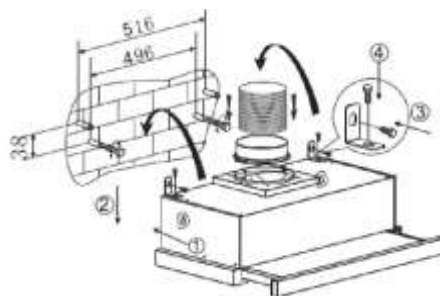
2. S použitím dvou šroubů (4 mm x 10 mm) připevněte k horní části digestoře konzolu ve tvaru L.



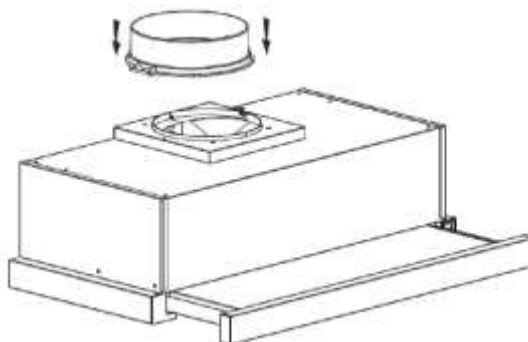
- Kuchyňská digestoř se připevňuje ke stěně pomocí 4 šroubů (4 mm x 30 mm) a hmoždinek. Připevněte kuchyňskou digestoř ke stěně zadní stranou; použijte k tomu 2 šrouby (4 mm x 30 mm) a hmoždinky. Potom připevněte kuchyňskou digestoř ke stěně 2 šrouby (4 mm x 30 mm) a hmoždinkami přes malou konzolu ve tvaru L.



60CM

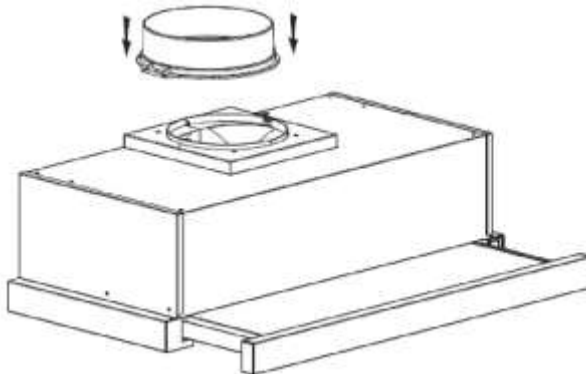


- Připevněte k výstupu vzduchu na kuchyňské digestoři jednocestný ventil.

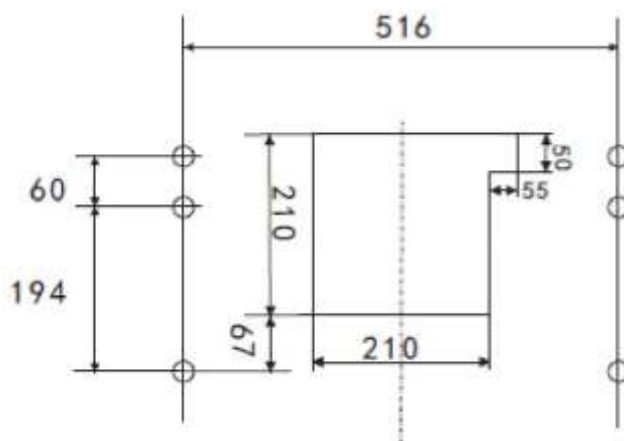


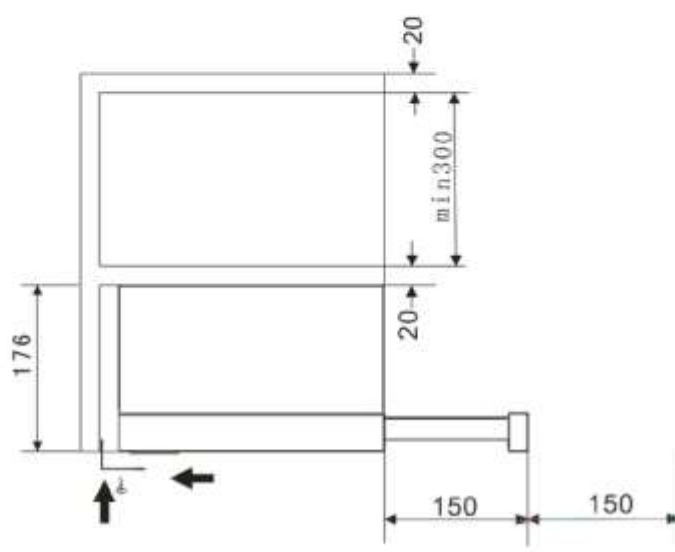
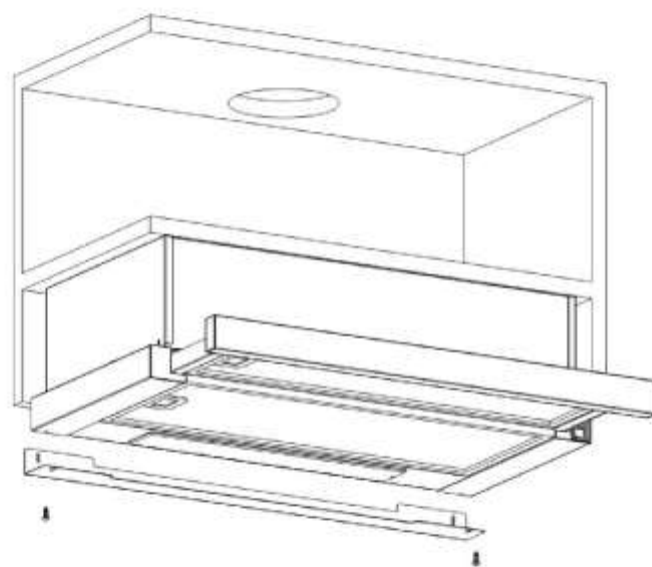
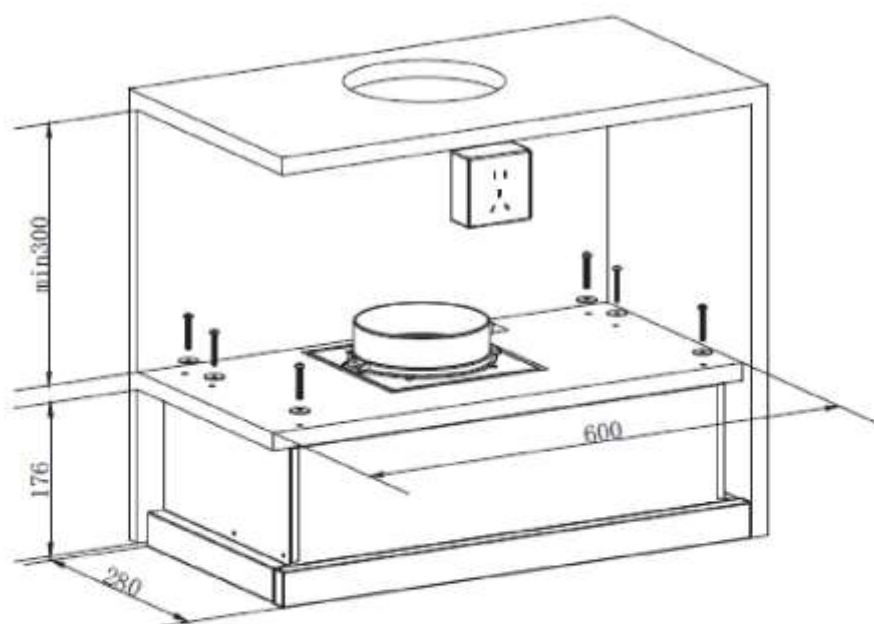
INSTALACE (připevnění ke skřínce)

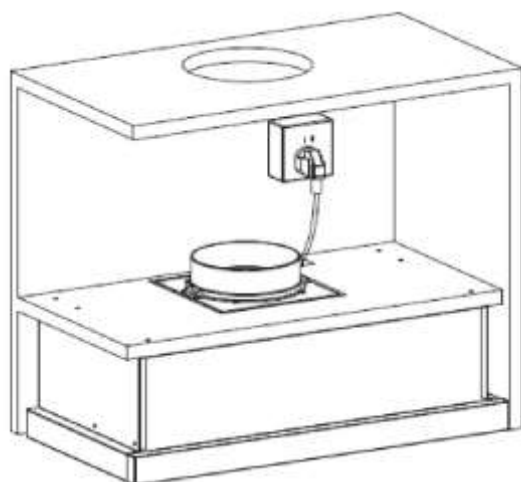
- Připevněte k výstupu vzduchu na kuchyňské digestoři jednocestný ventil.



- Ke skřínce se kuchyňská digestoř připevňuje s použitím 6 šroubů (4x35 mm) a plochých podložek.







Jestliže mezi stěnou a kuchyňskou digestoří vznikne mezera, můžete na spodní stranu digestoře dvěma šrouby (3x12 mm) připevnit konzolu ve tvaru L.
 Použití konzole ve tvaru L je na rozhodnutí uživatele.
 Poznámka: Kompenzační trubka není součástí výrobku.

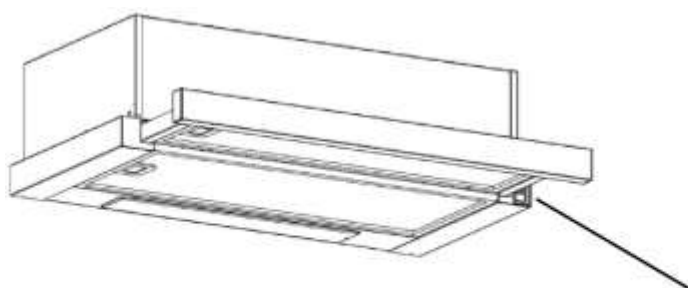
VÝSTRAHA:



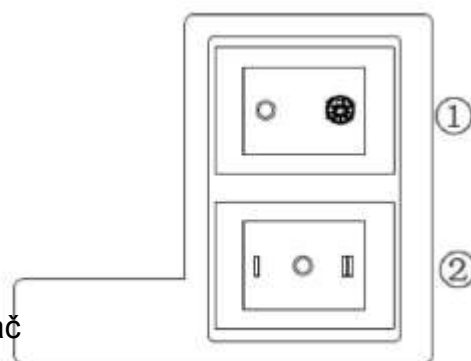
- Z bezpečnostních důvodů používejte pouze upínací nebo montážní šrouby ve velikostech doporučených v tomto návodu k použití.
- Nedodržení uvedených pokynů k instalaci šroubů nebo upínacího zařízení může mít za následek nebezpečí od elektrické energie.

Pokyny k použití kuchyňské digestoře

Kolébkový přepínač



Kolébkový přepínač



1. Zasuňte napájecí konektor do zásuvky.
2. Přepněte přepínač ① do polohy , rozsvítí se kontrolka; přepnutím přepínače ① do polohy „0“ kontrolka zhasne.

- Přepínáním přepínače ② mezi polohami „I, II“ můžete nastavit motor na „nízkou, vysokou“ rychlost; přepnutím do polohy „0“ se motor vypne.
- Po vytažení čelního panelu se digestoř automaticky zapne. Po zasunutí se zase automaticky vypne.

ŘEŠENÍ PROBLÉMŮ

Závada	Možná příčina	Řešení
Kontrolka svítí, motorek ale nepracuje	Je vypnutý přepínač ventilátoru	Vyberte polohu přepínače ventilátoru.
	Porucha přepínače ventilátoru	Kontaktujte servisní centrum.
	Porucha motorku	Kontaktujte servisní centrum.
Kontrolka nesvítí, motor nepracuje	Spálené domovní pojistky	Resetujte/vyměňte pojistky.
	Uvolněný nebo odpojený napájecí kabel	Zapojte kabel do síťové zásuvky. Zapněte síťovou zásuvku.
Únik oleje	Jednocestný ventil a výstup nejsou správně utěsněny	Demontujte jednocestný ventil a utěsněte ho těsněním.
	Netěsnost v místě připojení ke komínu a krytu	Demontujte a utěsněte komín.
Kontrolky nesvítí	Prasklé/vadné žárovky	Vyměňte žárovky podle uvedených pokynů.
Nedostatečné odsávání	Příliš velká vzdálenost mezi kuchyňskou digestoří a povrchem plynové varné desky	Upevněte kuchyňskou digestoř ve správné vzdálenosti.
Kuchyňská digestoř je nakloněná	Upínací šroub není dostatečně utažen	Utáhněte uvolněný šroub a srovnejte ho do vodorovné polohy.

POZNÁMKA:



Všechny elektrické opravy tohoto spotřebiče musí být provedeny v souladu s místními, státními a federálními zákony. Budete-li na pochybách, pokud jde o správný postup při odstraňování některé ze závad, neváhejte kontaktovat servisní centrum. Před otevřením nikdy nezapomeňte jednotku odpojit od elektrického napájení.

ÚDRŽBA A ČIŠTĚNÍ

Varování:

- Před zahájením údržby nebo čištění nejprve odpojte kuchyňskou digestoř od síťového napájení. Kuchyňskou digestoř vypněte na síťové zásuvce a vytáhněte ze zásuvky elektrickou zástrčku.



- Vnější povrchy digestoře jsou náchylné k poškrábání a odírání, takže při čištění postupujte podle uvedených pokynů, abyste dosáhli požadovaného výsledku čištění a digestoř nepoškodili.

CELKOVÁ ÚDRŽBA

Čištění a údržba se musí provádět na chladném spotřebiči, zejména jeho čištění. Nenechávejte na povrchu působit zásadité nebo kyselé přípravky (citronovou šťávu, vinný ocet, atd.).

NEREZOVÁ OCEL

Nerezová ocel se musí pravidelně čistit (například jednou týdně), aby se zachovala očekávaná dlouhá životnost. Po vyčištění povrch vysušte čistým, měkkým hadrem. Můžete použít speciální čisticí přípravky na nerezovou ocel.

POZNÁMKA:

Dbejte na otírání povrchu ve směru struktury nerezové oceli, abyste předešli vzniku nevzhledných obrazců na povrchu.

POVRCH OVLÁDACÍHO PANELU

Zapuštěný ovládací panel můžete čistit teplou mýdlovou vodou. Hadřík, který použijete k čištění, musí být čistý a důkladně vyždímaný. Suchým, měkkým hadříkem odstraňte přebytečnou vlhkost po čištění.

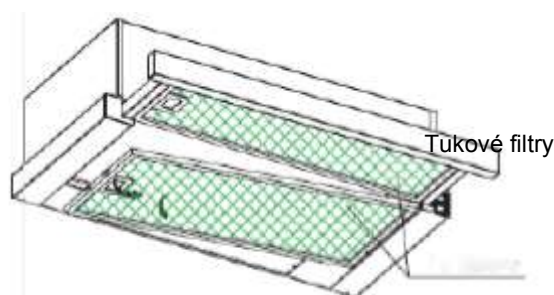
Důležité

Používejte neutrální čisticí prostředky a vyvarujte se použití agresivních chemických přípravků, silných přípravků pro použití v domácnosti nebo výrobků s obsahem abraziv, protože by to mělo vliv na vzhled spotřebiče a čištěním byste případně mohli odstranit popisky tlačítek na ovládacím panelu. Zároveň je to důvod k zániku záruky výrobce.

TUKOVÉ FILTRY S OKY

Filtry s oky můžete čistit rukou. Asi na 3 minuty je ponořte do vody s obsahem čisticího přípravku na uvolnění tuků a potom šetrně vykartáčujte měkkým kartáčem. Neaplikujte příliš velký tlak, protože byste mohli filtr poškodit. (nechte uschnout na vzduchu mimo sluneční paprsky)

Filtry se musí mýt odděleně od keramického nádobí a kuchyňského náčiní. Doporučujeme nepoužívat oplachovací přípravek.



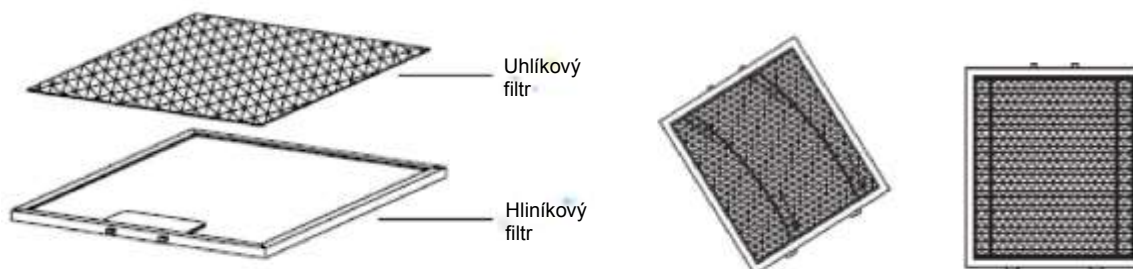
INSTALACE TUKOVÝCH FILTRŮ S OKY

- Instalace filtrů se skládá z dále uvedených čtyř kroků.
 - Zasuňte filtr pod úhlem do otvorů v zadní straně digestoře.
 - Stlačte tlačítko na madle filtru.
 - Jakmile filtr zapadne do montážní polohy, tlačítko na madle uvolněte.
 - Stejným postupem nainstalujte všechny filtry.

UHLÍKOVÝ FILTR

Filtr s aktivním uhlím slouží k zachycení pachů. Normálně je potřeba filtr s aktivním uhlím měnit jednou za tři nebo šest měsíců, podle toho, jak často používáte varnou desku. Dále zde uvádíme postup při instalaci filtru s aktivním uhlím.


1. Položte uhlíkový filtr na zadní stranu hliníkového filtru.
2. Vložte do rámu hliníkového filtru ocelový drát, vždy po jednom na každé straně. Musíte ho ohnout, abyste ho mohli vložit do druhého konce rámu.
3. Zkontrolujte, zda je uhlíkový filtr ocelovým drátem připevněn k hliníkovému filtru.



POZNÁMKA:

- Zkontrolujte, zda je filtr spolehlivě zajištěn. Kdyby nebyl, mohl by se uvolnit a způsobit nebezpečnou situaci.
- Po připevnění filtru s aktivním uhlím se sníží odsávací výkon.

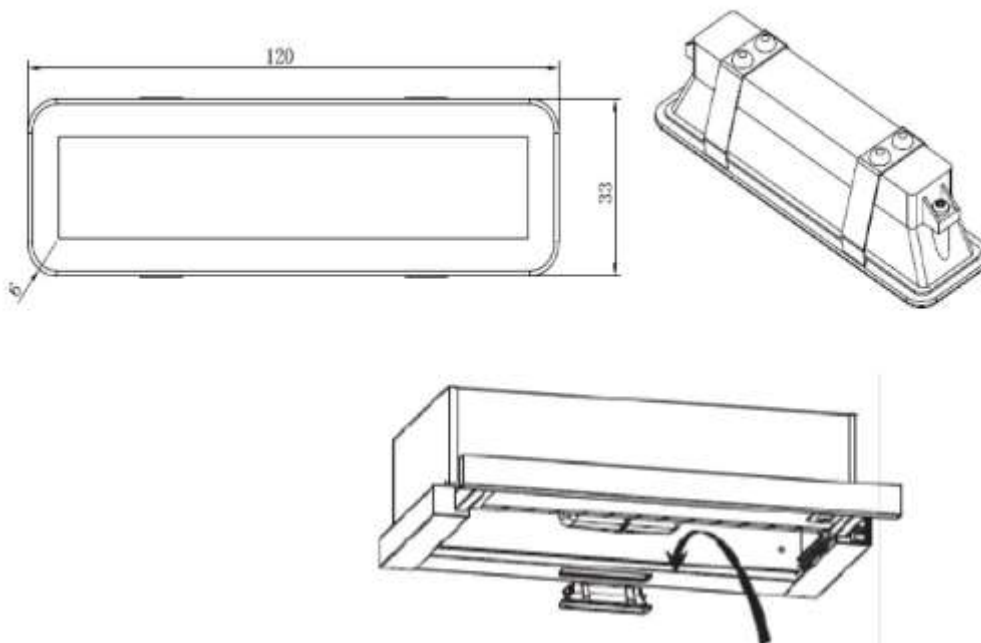
VÝMĚNA ŽÁROVKY

<p>Důležité:</p> 	<ul style="list-style-type: none">✧ Žárovku musí vyměnit výrobce, jeho servisní partner nebo osoba s obdobnou kvalifikací.✧ Před zahájením jakékoliv práce na spotřebiči spotřebič nejprve odpojte od elektrického napájení. Při manipulaci se žárovkou dbejte na to, aby nejprve zcela vychladla; teprve pak se jí můžete bezpečně dotknout rukou.✧ Při manipulaci se žárovkami je přidržte hadříkem nebo rukavicemi, aby žárovka nepřišla do styku s potem, protože pot by mohl zkrátit její životnost.
---	---

Výměna žárovky

S použitím šroubováku uvolněte z osvětlovacího panelu samořezný šroub ST4*8 mm (2 ks) a vytáhněte světelný zdroj. Otevřete připojovací skříňku, ke které je připojen vodič, odpojte konektor vodiče a vyměňte žárovku.

- Tato žárovka má tento ILCOD D kód: DBS-2/65-H-120/33
- LED moduly – obdélníkový světelný zdroj
- Maximální příkon: 1X2 W
- Rozmezí napětí: 110–240 VAC
- Rozměry:



OCHRANA ŽIVOTNÍHO PROSTŘEDÍ:



Tento výrobek je označen symbolem vyjadřujícím požadavek na tříděnou likvidaci odpadního elektronického zařízení. To znamená, že se tento výrobek nesmí vyhazovat do směsného domovního odpadu, ale musí se zlikvidovat na sběrném dvoře tříděného odpadu podle požadavků směrnice 2012/19/EU. Bude recyklován nebo demontován tak, aby se minimalizoval jeho vliv na životní prostředí. Elektrické a elektronické produkty obsahují nebezpečné látky, a proto jsou potenciálně nebezpečné pro životní prostředí a zdraví člověka. Další informace žádejte na místním nebo regionálním úřadu.

POZNÁMKA:

Dále uvedeným způsobem můžete snížit celkový vliv svého vaření na životní prostředí (např. prostřednictvím spotřeby elektrické energie).

- (1) Nainstalujte kuchyňskou digestoř na vhodné místo s možností účinného větrání.
- (2) Pravidelně kuchyňskou digestoř čistěte, aby se neucpaly vzduchové kanály.
- (3) Po vaření nezapomeňte vypnout osvětlení na kuchyňské digestoři.
- (4) Po vaření nezapomeňte vypnout kuchyňskou digestoř.

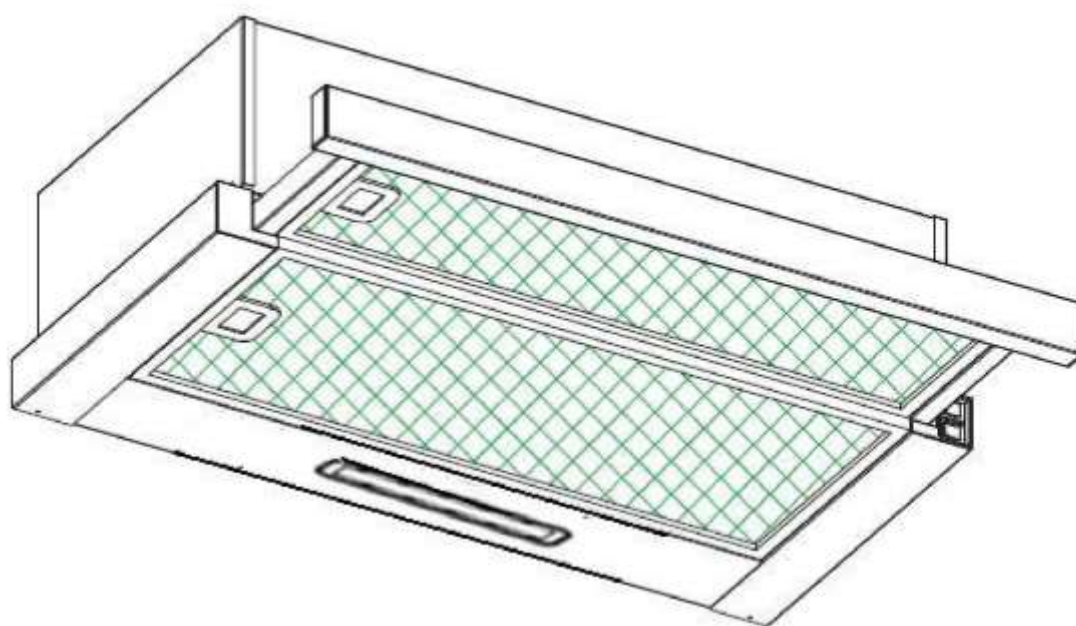
POKYNY K DEMONTÁŽI

Nedemontujte spotřebič způsobem, který není znázorněn v návodu k použití. Uživatel nesmí spotřebič demontovat. Na konci životnosti se nesmí spotřebič vyhazovat do směsného komunálního odpadu. Informace o recyklaci žádejte na místním úřadu.

CBT6130/3X

Digestor

Návod na použitie



Obsah

1.....	Bezpečnostné pokyny
2.....	Inštalácia
3.....	Uvedenie digestora do prevádzky
4.....	Riešenie problémov
5.....	Údržba a čistenie
6.....	Ochrana životného prostredia

BEZPEČNOSTNÉ POKYNY

V tejto príručke je vysvetlená správna inštalácia a používanie digestora. Príručku si dôkladne prečítajte pred použitím digestora, dokonca aj keď vám je výrobok známy. Príručku uschovajte na bezpečnom mieste pre prípad, že by ste do nej potrebovali v budúcnosti nahliadnuť.

Tieto pokyny sú tiež k dispozícii v alternatívnom formáte, napr. na webovej lokalite alebo na požiadanie používateľa vo formáte ako je DVD.

Nikdy:

- Nepoužívajte digestor bez filtrov na masť alebo ak sú filtre nadmerne zamastené!
- Nemontujte digestor nad sporák s vysoko postaveným grilom.
- Nenechávajte bez dozoru panvice, na ktorých sa smaží, pretože nadmerne zahriate tuky alebo oleje sa môžu vznietiť.
- Nikdy nenechávajte pod digestorom otvorený plameň.



- Ak je digestor poškodený, nepoužívajte ho.
- Pod digestorom nevlambujte.
- **UPOZORNENIE:** Ak sa prístupné súčasti používajú s kuchynskými prístrojmi, môžu byť horúce.
- Minimálna vzdialenosť medzi povrchom na postavenie kuchynských nádob na platni a najnižšou časťou digestora. (Keď je digestor umiestnený nad plynovým spotrebičom, táto vzdialenosť musí byť aspoň 65 cm.)
- Vzduch sa nesmie odvádzať do komína, ktorý sa používa na odvádzanie spalín zo spotrebičov spaľujúcich plyn alebo iné palivá.



Vždy je potrebné:

- **Dôležité!** Vždy vypnite hlavný zdroj napájania elektrickým prúdom v priebehu inštalácie a údržby, napríklad pri výmene žiarovky.
- Digestor musí byť nainštalovaný v súlade s pokynmi na inštaláciu a všetkými naviazujúcimi opatreniami.
- Všetky inštalačné práce musí vykonať kompetentná osoba alebo kvalifikovaný elektrikár.
- Obalový materiál riadne zneškodnite. Mohol by byť nebezpečný pre deti.
- Dávajte pozor na ostré hrany vnútri digestora, zvlášť v priebehu montáže a čistenia.
- Keď je digestor umiestnený nad plynovým spotrebičom, minimálna vzdialenosť medzi povrchom na postavenie kuchynských nádob na platni a najnižšou časťou digestora musí byť:
Plynové sporáky: 75 cm
Elektrické sporáky: 65 cm
Sporáky na uhlie alebo olej: 75 cm
- Dbajte na to, aby odvodové potrubie nemalo žiadny ohyb ostrejší ako 90 stupňov, keďže sa tým znižuje účinnosť digestora.
- **Varovanie:** Ak nenamontujete skrutky alebo zariadenie neupevníte v súlade s týmito pokynmi, môže hroziť nebezpečenstvo úrazu elektrickým prúdom.
- **Varovanie:** Pred otvorením prístupu ku koncovkám je nutné odpojiť všetky napájacie okruhy.

Vždy je potrebné:

- Pri varení na plynovom sporáku hrnce a panvice vždy zakryte pokrievkami.
- Keď je digestor v režime ťahu, odsáva vzduch z miestnosti. Dbajte na dodržanie príslušných opatrení na vetranie. Digestor odvádza z miestnosti zápach, ale nie paru.
- Digestor je určený len na použitie v domácnosti.



- Ak je napájací kábel poškodený, musí ho vymeniť výrobca, jeho servisný zástupca alebo podobne kvalifikovaná osoba, aby sa predišlo nebezpečným situáciám.
- Tento spotrebič môžu používať deti staršie ako 8 rokov a osoby s obmedzenými telesnými, zmyslovými alebo mentálnymi schopnosťami alebo nedostatočnými skúsenosťami a znalosťami, ak sú pod dohľadom alebo boli poučené o bezpečnom použití spotrebiča a chápu súvisiace nebezpečenstvá. Deti sa nesmú so spotrebičom hrať. Čistenie a používateľskú údržbu by nemali vykonávať deti bez dozoru.



- Varovanie: Pred otvorením prístupu ku koncovkám je nutné odpojiť všetky napájacie okruhy.

Vždy je potrebné:

- Upozornenie: Spotrebič a prístupné časti sú v priebehu prevádzky spotrebiča horúce. Dávajte pozor, aby ste sa nedotkli výhrevných prvkov. Deti mladšie ako 8 rokov by sa mali zdržiavať mimo digestora, ak nie sú pod trvalým dohľadom.
- Ak sa digestor používa súbežne so spotrebičmi spaľujúcimi plyn alebo iné palivá, miestnosť by sa mala primerane vetrať.
- Ak sa čistenie nevykoná v súlade s pokynmi, hrozí riziko požiaru.
- Musia sa dodržať predpisy týkajúce sa odvodu vzduchu.
- Spotrebič treba pravidelne čistiť spôsobom uvedeným v kapitole ÚDRŽBA.
- Z bezpečnostných dôvodov používajte len upevňujúce alebo montážne skrutky rovnakej veľkosti, aká sa odporúča v tejto príručke.
- Pokiaľ ide o podrobné informácie týkajúce sa spôsobu a frekvencie čistenia, nahliadnite do časti návodu na použitie týkajúcej sa údržby a čistenia.
- Čistenie a používateľskú údržbu by nemali vykonávať deti bez dozoru.
- Ak digestor súbežne spustený so spotrebičmi napájanými inou než elektrickou energiou, podtlak v miestnosti nesmie prekročiť 4 Pa (4×10^{-5} barov).
- VAROVANIE: Nebezpečenstvo požiaru: Neodkladajte predmety na varné plochy.
- Nepoužívajte parný čistič.
- NIKDY sa nesnažte hasiť požiar vodou, ale spotrebič vypnite a potom uduste plameň napríklad vrchnákom alebo protipožiarnou prikrývkou.

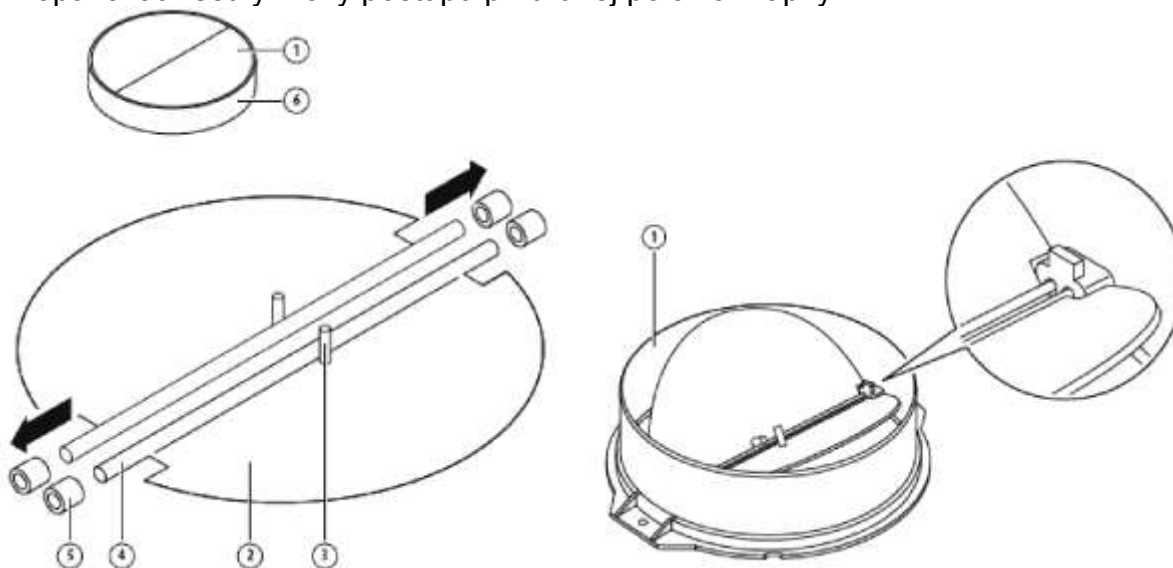
INŠTALÁCIA (ODVETRÁVANIE VON)

MONTÁŽ KLAPKY V TVARE PÍSMENA V (voliteľnej)

Ak digestor nemá namontovanú klapku v tvare písmena V 1, mali by ste k digestoru primontovať obe polovice klapky. Na obrázkoch je znázornený len jeden príklad spôsobu montáže klapky v tvare písmena V, vývod sa môže líšiť podľa jednotlivých modelov a konfigurácie.

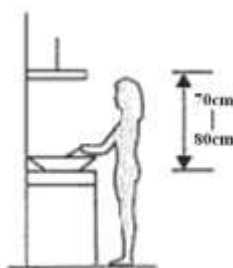
Ak chcete namontovať klapku v tvare písmena V 1, mali by ste:

- namontovať obe polovice klapky 2 k telu digestora 6;
- kolík 3 by mal smerovať nahor;
- os 4 treba zasunúť do otvorov 5 na tele digestora;
- zopakovať všetky kroky postupu pri druhej polovici klapky.

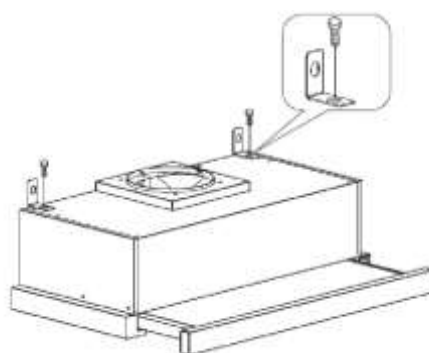


INŠTALÁCIA (inštalácia na stenu)

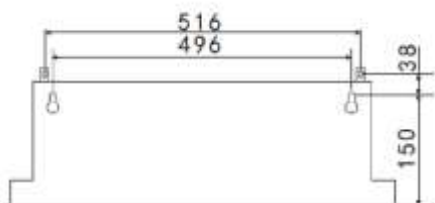
1. Rozhodnite o umiestnení otvorov na upevnenie digestora.



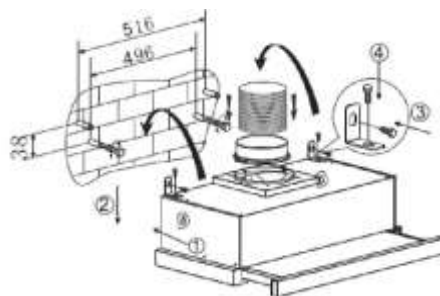
2. Namontujte konzolu v tvare písmena L na hornej strane digestora pomocou dvoch skrutiek (4 mm x 10 mm)



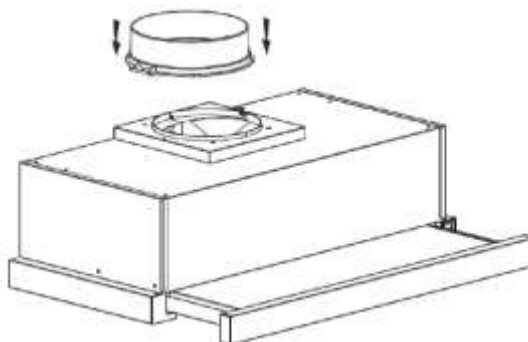
- Digestor sa montuje na stenu pomocou 4 skrutiek (4 mm x 30 mm) a príchytiiek. Pripevnite zadnú stranu digestora ku stene pomocou 2 skrutiek (4 mm x 30 mm) a príchytiiek. Potom pripevnite digestor ku stene pomocou 2 skrutiek (4 mm x 30 mm) a príchytiiek cez malú konzolu v tvare písmena L.



60CM

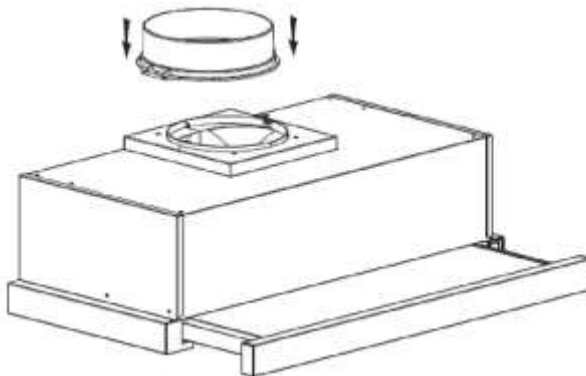


- Pripevnite jednosmerný ventil k odvodu vzduchu z digestora.

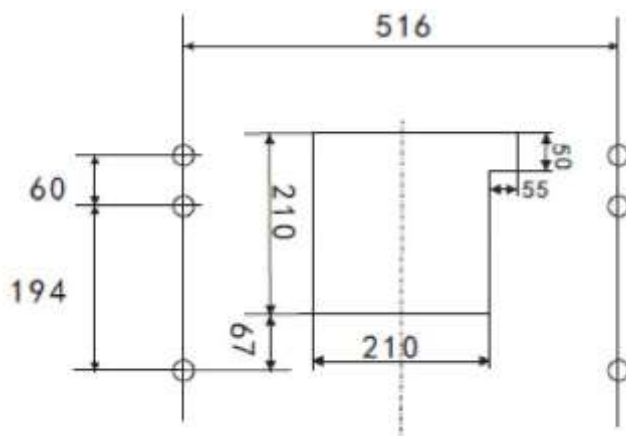


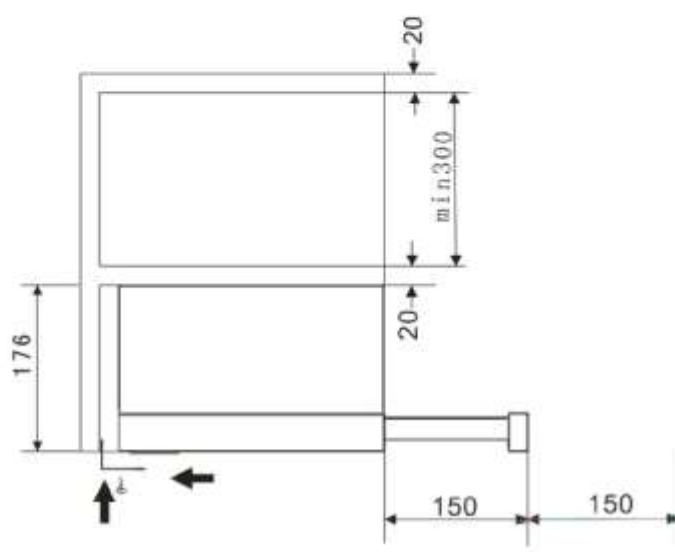
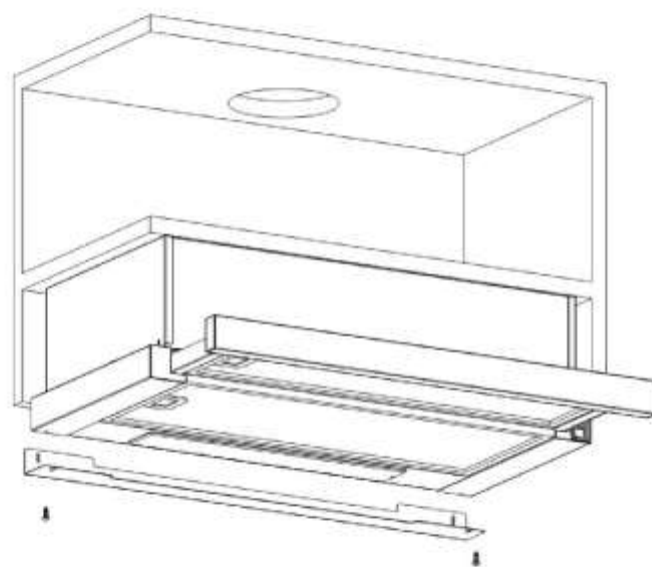
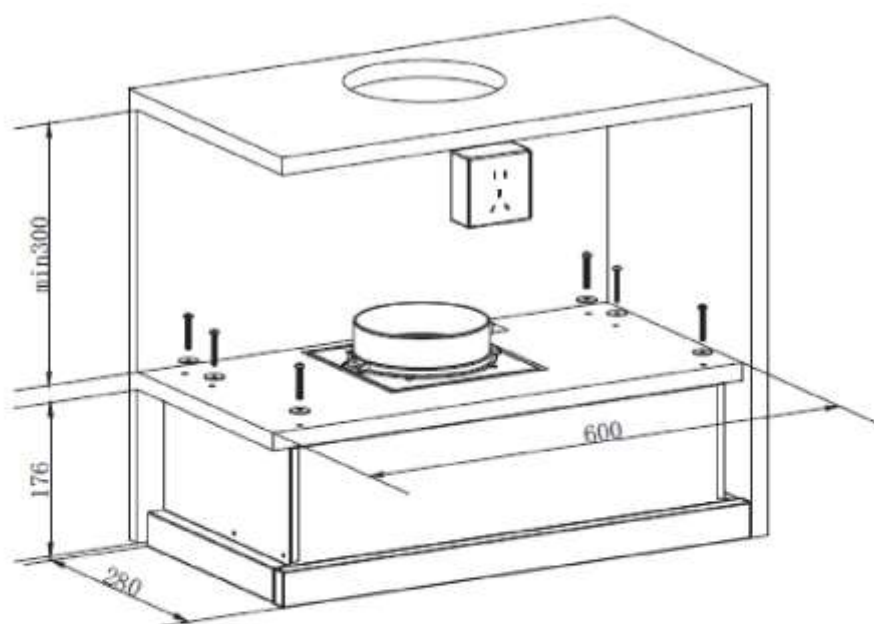
INŠTALÁCIA (inštalácia na skrinku)

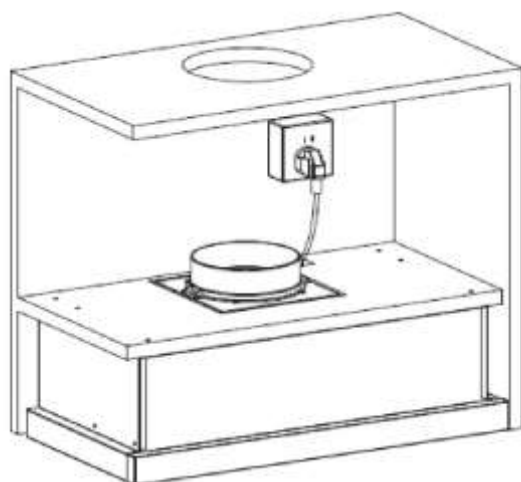
- Pripevnite jednosmerný ventil k odvodu vzduchu z digestora.



- Namontujte digestor na skrinku pomocou 6 skrutiek (4 x 35 mm) a plochých podložiek.







Ak je medzi stenou a digestorom medzera, môžete namontovať konzolu v tvare písmena L v dolnej časti digestora pomocou 2 skrutiek (3 x 12 mm).

Montáž konzoly v tvare písmena L je voliteľná.

Poznámka: Súčasťou výrobku nie je predlžovacia trubica.

VAROVANIE:



- Z bezpečnostných dôvodov používajte len upevňujúce alebo montážne skrutky rovnakej veľkosti, aká sa odporúča v tejto príručke.
- Ak nenamontujete skrutky alebo neupevníte zariadenie v súlade s týmito pokynmi, môže hroziť nebezpečenstvo úrazu elektrickým prúdom.

Uvedenie digestora do prevádzky

Kolískový vypínač



Kolískový vypínač

1. Zasuňte zástrčku napájania elektrickým prúdom do zásuvky.
2. Posuňte vypínač ① do polohy , svetlo sa rozsvieti; posuňte vypínač ① do polohy „0“ a svetlo zhasne.

3. Posuňte vypínač ② do polohy „I, II“ a motor sa spustí dvomi rýchlosťami – „nízka, vysoká“, posuňte vypínač do polohy „0“ a motor sa vypne.
4. Napájanie bude pripojené, keď vytiahnete čelný panel. Naopak sa napájanie automaticky odpojí.

RIEŠENIE PROBLÉMOV

Chyba	Možná príčina	Riešenie
Svetlo svieti, ale motor nefunguje.	Vypnutý vypínač ventilátora	Vyberte polohu vypínača ventilátora.
	Nefunguje vypínač ventilátora.	Kontaktujte servisné stredisko.
	Nefunguje motor.	Kontaktujte servisné stredisko.
Nefunguje svetlo, nefunguje motor.	Spálené domové poistky	Resetujte/vymeňte poistky.
	Uvoľnená alebo odpojená napájacia šnúra.	Znova zasuňte šnúru do napájacej zásuvky. Zapnite napájaciu zásuvku.
Únik oleja	Jednosmerný ventil a odvod vzduchu nie sú riadne utesnené.	Odmontujte jednosmerný ventil a utesnite ho tesniacim prostriedkom.
	Úniky z pripojenia odvodového kanála a krytu	Odmontujte odvodový kanál a utesnite ho.
Svetlo nefunguje.	Prasknuté/chybné žiarovky	Vymeňte žiarovky podľa pokynov.
Nedostatočné odsávanie	Príliš veľká vzdialenosť medzi digestorom a povrchom plynového sporáka.	Namontujte digestor do menšej vzdialenosti od sporáka.
Digestor je šikmo.	Upevňovacia skrutka nie je dostatočne utiahnutá.	Dotiahnite skrutku na zavesenie digestora a vyrovnajte digestor do vodorovnej polohy.

POZNÁMKA:



Všetky elektrikárske opravy tohto spotrebiča musia byť realizované v súlade s miestnymi a celoštátnymi predpismi. Ak máte nejaké pochybnosti pri niektorom z vyššie uvedených krokov, obráťte sa na servisné stredisko. Pred každým otvorením spotrebiča odpojte digestor od zdroja napájania elektrickým prúdom.

ÚDRŽBA A ČISTENIE

Upozornenie:

- Pred údržbou alebo čistením sa digestor musí odpojiť od hlavného zdroja napájania elektrickým prúdom. Skontrolujte, či je digestor vypnutý a či je zástrčka napájacej šnúry vytiahnutá zo zásuvky v stene.



- Vonkajší povrch digestora je náchylný na poškrabanie a odretie, preto dodržujte pokyny na čistenie, aby ste spotrebič čo najlepšie vyčistili bez poškodenia.

VŠEOBECNÉ POKYNY

Čistenie a údržba sa musia vykonávať na studenom prístroji, a to najmä čistenie. Neponechávajte na povrchu alkalické alebo kyslé látky (citrónová šťava, ocot a pod.).

NEHRDZAVEJÚCA OCEĽ

Nehrdzavejúca oceľ sa musí pravidelne čistiť (napr. každý týždeň) v záujme zachovania dlhej životnosti. Vysušte ju čistou a mäkkou handričkou. Je možné použiť špeciálny tekutý prostriedok na nehrdzavejúcu oceľ.

POZNÁMKA:

Pri utieraní postupujte v smere zrnitosti nehrdzavejúcej ocele, aby sa na nej neobjavili nevzhľadné priečne škrabance.

POVRCH OVLÁDACIEHO PANELA

Vsadený ovládací panel je možné čistiť teplou mydlovou vodou. Pred čistením panela skontrolujte, či je handrička čistá a dobre vyžmýkaná. Nadbytočnú vlhkosť, ktorá zostane na paneli po čistení, odstráňte suchou mäkkou handričkou.

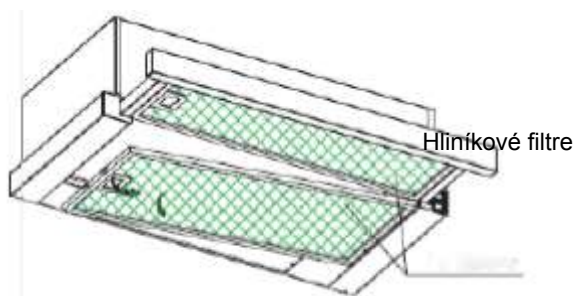
Dôležité!

Používajte neutrálne čistiace prostriedky a vyhýbajte sa silným čistiacim chemikáliám, silným domácim čistiacim prostriedkom alebo výrobkom obsahujúcim abrazíva, keďže nepriaznivo ovplyvňujú vonkajší vzhľad spotrebiča a mohli by spôsobiť odstránenie potlače grafických prvkov na ovládacom paneli, čím by došlo k zneplatneniu záruky výrobcu.

MRIEŽKOVÉ FILTRE NA MASTNOTU

Mriežkové filtre je možné čistiť ručne. Namočte ich asi na 3 minúty do vody s čistiacim prostriedkom uvoľňujúcim masť a potom opatrne vyčistite jemnou kefkou. Na mriežku príliš netlačte, aby ste ju nepoškodili. (Nechajte prirodzene uschnúť na priamom slnečnom svetle.)

Filtre by sa mali umývať oddelene od porcelánu a kuchynského náčinia. Odporúča sa nepoužívať oplachovací prostriedok.



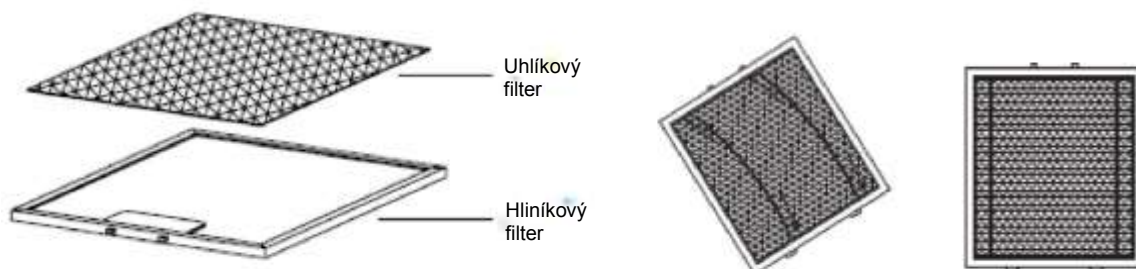
MONTÁŽ MRIEŽKOVÝCH FILTROV NA MASTNOTU

- Pri montáži postupujte podľa týchto 4 krokov:
 - Nasadíte filter do otvorov v zadnej časti digestora.
 - Posuňte tlačidlo na držadle filtra.
 - Keď filter zapadne do určenej polohy, držadlo uvoľnite.
 - Postup zopakujte pri montáži všetkých filtrov.

UHLÍKOVÝ FILTER

Aktívny uhlíkový filter je možné použiť na zachytávanie pachov. Za normálnych okolností by sa aktívny uhlíkový filter mal vymeniť každé tri až každých šesť mesiacov, v závislosti od obvyklého režimu v kuchyni. Postup montáže aktívneho uhlíkového filtra je uvedený nižšie.


1. Položte uhlíkový filter na zadnú stranu hliníkového filtra.
2. Oceľový drôt zasunúť do rámu hliníkového filtra, vždy jeden drôt na každej strane. Ak chcete drôt zasunúť do druhého konca rámu, musíte ho ohnúť.
3. Skontrolujte, či oceľový drôt pevne drží uhlíkový filter na hliníkovom filtri.



POZNÁMKA:

- Skontrolujte, či je filter pevne nasadený. V opačnom prípade by sa mohol uvoľniť a spôsobiť nebezpečnú situáciu.
- V prípade pripojenia aktívneho uhlíkového filtra by sa mala znížiť sila odsávania.

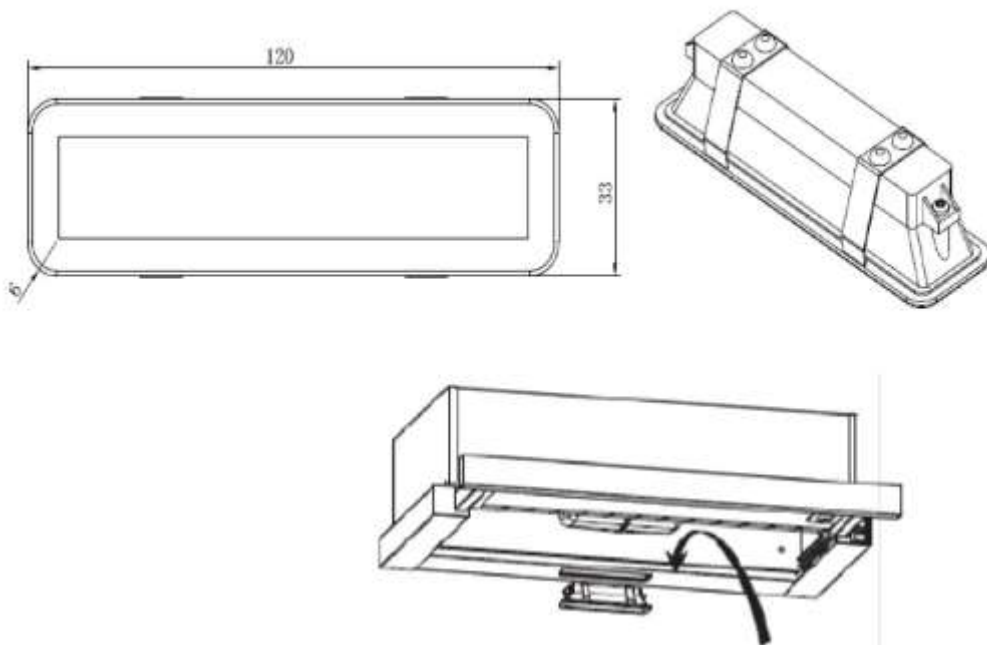
VÝMENA ŽIAROVKY

<p>Dôležité:</p> 	<ul style="list-style-type: none">✧ Žiarovku musí vymeniť výrobca, servisný zástupca alebo podobná kvalifikovaná osoba.✧ Pri akýchkoľvek činnostiach vykonávaných na spotrebiči vždy vypnite napájanie elektrickým prúdom. Pri manipulácii so žiarovkou skontrolujte, či je úplne studená, a až potom sa jej dotýkajte rukami.✧ Sklenenú banku pri manipulácii držte v handričke alebo rukaviciach, aby sa nedostala do kontaktu s potom. Kontakt banky s potom znižuje jej životnosť.
---	--

Výmena žiarovky

Pomocou skrutkovača uvoľnite závitoreznú skrutku ST4*8 MM (2 ks) z osvetľovacieho panela a vytiahnite držiak osvetlenia. Otvorte skrinku svorkovnice spojenú s daným káblom, odpojte káblový konektor a vymeňte žiarovku.

- **Kód ILCOS D pre túto žiarovku je: DBS-2/65-H-120/33**
- **Moduly LED – hranatá žiarovka**
- **Maximálny výkon vo wattoch 1X2 W**
- **Rozpätie napätia: stried. prúd (AC) 110 – 240 V**
- **Rozmery:**



OCHRANA ŽIVOTNÉHO PROSTREDIA:



Tento výrobok je označený symbolom selektívneho triedenia odpadu z elektronických zariadení. To znamená, že sa nesmie zneškodňovať s domovým odpadom, ale musí sa odovzdať na zberné miesto v súlade so smernicou 2012/19/EÚ. Následne sa recykluje alebo rozmontuje s cieľom minimalizovať vplyv na životné prostredie. Elektrické a elektronické výrobky môžu byť škodlivé pre životné prostredie a ľudské zdravie z dôvodu prítomnosti nebezpečných látok. Viac informácií vám poskytnú orgány regionálnej alebo miestnej samosprávy.

POZNÁMKA:

Nižšie uvádzame postup, ako znížiť celkový vplyv na životné prostredie (napr. využívanie energie) pri varení.

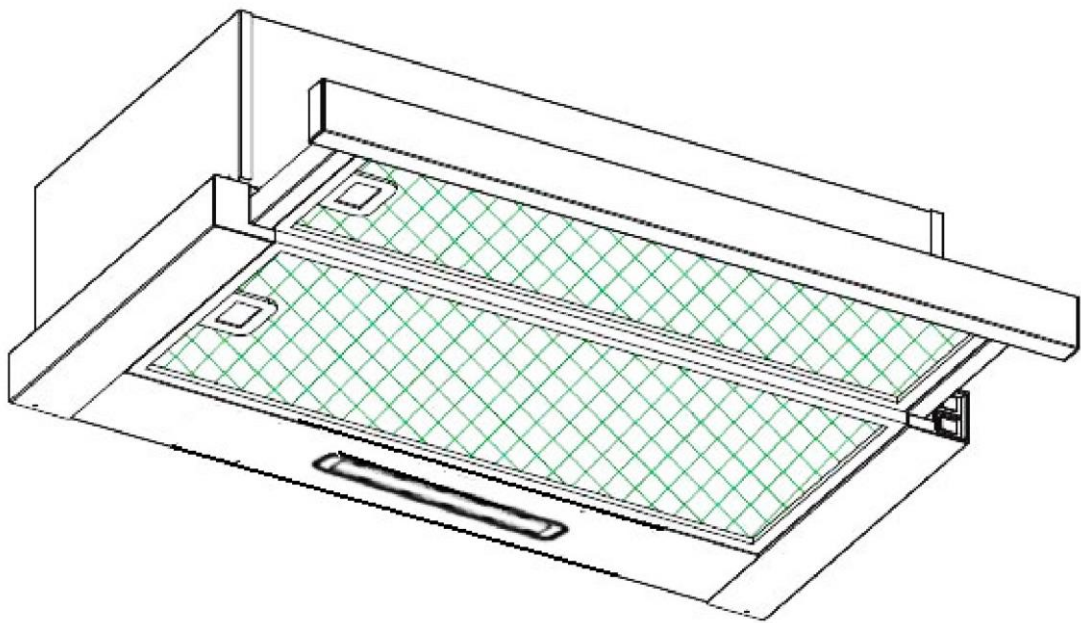
- (1) Digestor namontujte na vhodné miesto, na ktorom je odvetrávanie účinné.
- (2) Pravidelne ho čistite, aby odvod vzduchu nebol zablokovaný.
- (3) Po varení nezabudnite zhasnúť svetlo v digestore.
- (4) Po varení nezabudnite digestor vypnúť.

INFORMÁCIE O DEMONTÁŽI

Nerozoberajte prístroj žiadnym iným spôsobom okrem spôsobov uvedených v používateľskej príručke. Prístroj by nemal rozoberať používateľ. Prístroj po skončení životnosti by sa nemal zneškodňovať s domovým odpadom. Rady týkajúce sa recyklácie vám poskytnú miestne úrady alebo malopredajca.

Afzuigkap

Handleiding



Inhoud

1.....	Veiligheidsinstructies
2.....	Installatie
3.....	Uw afzuigkap gebruiken
4.....	Problemen oplossen
5.....	Onderhoud en reiniging
6.....	Bescherming van het milieu

VEILIGHEIDSINSTRUCTIES

Deze handleiding geeft uitleg hoe u uw afzuigkap op de juiste wijze installeert en gebruikt. Lees de instructies aandachtig voordat u het apparaat gebruikt, zelfs als u met dit product vertrouwd bent. Bewaar de handleiding op een veilige plaats zodat u deze later kunt raadplegen.

Deze instructies zijn eveneens in alternatief formaat beschikbaar, bijvoorbeeld via een website, of op verzoek van de gebruiker in een ander formaat, zoals een dvd.

Het volgende mag u nooit doen:

- Probeer niet om de afzuigkap zonder de vetfilters te gebruiken, of als de filters bijzonder vettig zijn!
- Niet boven een fornuis installeren met een grill op hoog niveau.
- Laat geen frituurpannen onbeheerd tijdens gebruik; oververhit vet en olie zou vlam kunnen vatten.
- Voorkom open vuur onder de afzuigkap.



- Probeer niet om de afzuigkap toch te gebruiken als deze beschadigd is.
- Niet flamberen onder de afzuigkap.
- **VOORZICHTIG:** Bij gebruik van kooktoestellen kunnen toegankelijke delen heet worden.
- Houd de minimum afstand tussen het steunoppervlak voor kookgerei op het fornuis en de onderkant van de afzuigkap aan. (Wanneer de afzuigkap boven een gasfornuis is aangebracht, moet deze afstand ten minste 65 cm bedragen)
- De lucht mag niet worden afgevoerd via een kanaal dat wordt gebruikt voor uitlaatgassen van toestellen die gas of andere brandstoffen verbranden.



Het volgende moet u altijd doen:

- **Belangrijk!** Schakel de netvoeding altijd uit tijdens installatie of onderhoud, bijvoorbeeld wanneer u een lampje moet vervangen.
- De afzuigkap moet worden geïnstalleerd in overeenstemming met de installatie-instructies en alle maten moeten worden aangehouden.
- Alle installatiewerkzaamheden moeten door een vakbekwame persoon of gekwalificeerde elektricien worden uitgevoerd.
- Voer de verpakking op de juiste manier af. Deze kan bij kinderen verwondingen veroorzaken.
- Let op voor scherpe randen binnenin in de afzuigkap, vooral tijdens het installeren en het schoonmaken.
- Wanneer de afzuigkap zich boven een gastoestel bevindt, moet de minimale afstand tussen het steunoppervlak voor kookgerei op het fornuis en de onderkant van de afzuigkap als volgt zijn:
Gasfornuizen: 75 cm
Elektrische fornuizen: 65 cm
Fornuizen op kolen of olie: 75 cm
- Zorg ervoor dat de bochten in de buizen maximaal 90 graden zijn, omdat de afzuigkap anders minder efficiënt is.
- **Waarschuwing:** Wanneer de schroeven of de bevestiging niet volgens deze instructies zijn aangebracht, kan dit elektrische gevaren met zich meebrengen
- **Waarschuwing:** Alle voedingscircuits worden losgekoppeld voordat er toegang wordt verschaft tot de aansluitpunten.

Het volgende moet u altijd doen:

- Doe altijd het deksel op de potten en pannen wanneer u op een gasfornuis kookt.
- Wanneer het apparaat in de afzuigstand staat, wordt de lucht in de kamer door de afzuigkap weggezogen. Zorg ervoor dat de juiste ventilatiemaatregelen worden nageleefd. De afzuigkap verwijdert geuren uit de kamer, maar geen stoom.
- De afzuigkap is uitsluitend bedoeld voor huishoudelijk gebruik.



- Als het netsnoer beschadigd is, moet het worden vervangen door de fabrikant, diens servicevertegenwoordiger of vergelijkbaar gekwalificeerde personen om gevaar te voorkomen.
- Dit apparaat mag worden gebruikt door kinderen vanaf 8 jaar en door personen met verminderde lichamelijke, zintuiglijke of geestelijke vermogens of met een gebrek aan kennis en ervaring, mits zij onder toezicht worden gehouden of instructies hebben gekregen om het apparaat veilig te kunnen gebruiken en de gevaren begrijpen die ermee gepaard gaan. Kinderen mogen niet met het apparaat spelen. Het schoonmaken en het onderhoud mag niet door kinderen worden uitgevoerd als er geen toezicht is.



- Waarschuwing: Alle voedingscircuits worden losgekoppeld voordat er toegang wordt verschaft tot de aansluitpunten.

Het volgende moet u altijd doen:

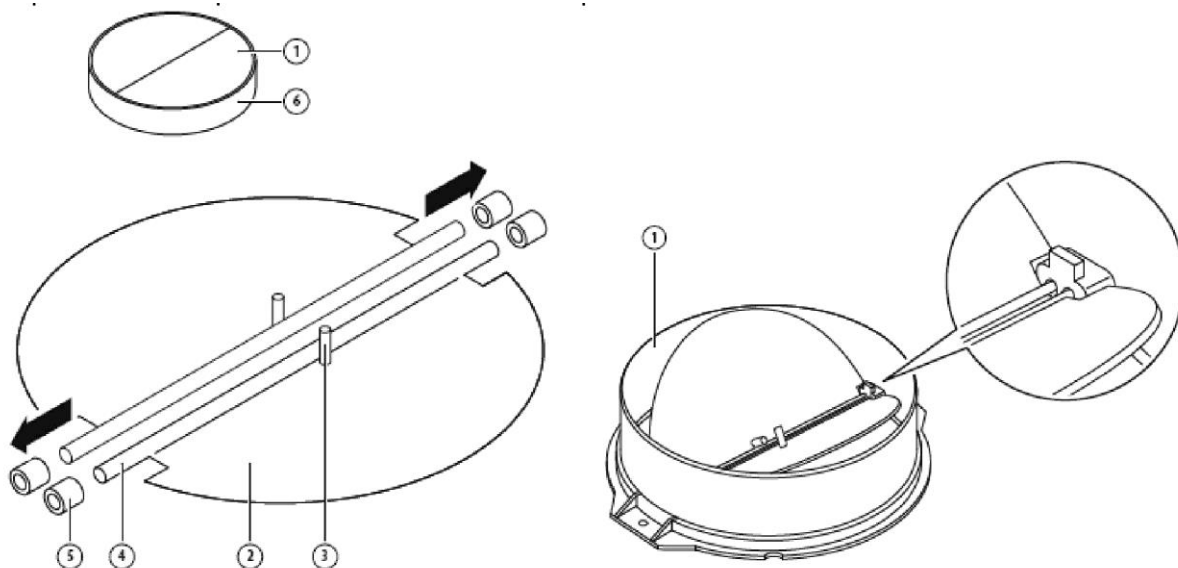
- Voorzichtig: Tijdens gebruik kunnen het apparaat en de toegankelijke delen ervan erg heet worden. Let op wanneer u de verwarmingselementen aanraakt. Kinderen jonger dan 8 jaar moeten uit de buurt blijven, tenzij er voortdurend toezicht is.
- Zorg voor voldoende ventilatie van de ruimte wanneer de afzuigkap gelijktijdig wordt gebruikt met toestellen die gas of andere brandstoffen verbranden.
- Er bestaat brandgevaar als de reiniging niet conform de instructies wordt uitgevoerd.
- De voorschriften betreffende de afvoer van lucht dienen te worden gerespecteerd.
- Reinig uw apparaat regelmatig volgens de methode die in het hoofdstuk ONDERHOUD is beschreven.
- Vanwege de veiligheid mag u uitsluitend het formaat bevestigings- of montageschroeven gebruiken, die in deze handleiding worden aanbevolen.
- Raadpleeg het hoofdstuk over onderhoud en de reiniging voor meer informatie over reinigingsmethode en -frequentie.
- Het schoonmaken en het onderhoud mag niet door kinderen worden uitgevoerd als er geen toezicht is.
- Wanneer de afzuigkap en apparaten die met andere energie dan elektriciteit worden gevoed tegelijkertijd in werking zijn, mag de onderdruk in de ruimte niet meer bedragen dan 4 Pa (4×10^{-5} bar).
- **WAARSCHUWING:** Brandgevaar: gebruik de kookoppervlakken niet als bewaarplek voor spullen.
- Er mag geen stoomreiniger worden gebruikt.
- Probeer **NOOIT** om brand met water te blussen, maar schakel het apparaat uit en bedek de vlam dan met bijvoorbeeld een deksel of een branddeken.

INSTALLATIE (VENTILATIE BUITEN)

MONTAGE VAN DE V-KLEP (optioneel)

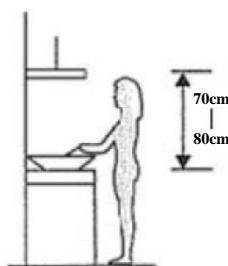
Als de afzuigkap geen gemonteerde V-klep (1) heeft, moet u de twee delen in de behuizing monteren. De afbeeldingen geven alleen een voorbeeld van hoe de V-klep moet worden gemonteerd; de uitlaat kan anders zijn, afhankelijk van verschillende modellen en configuraties. Monteer de V-klep (1) als volgt:

- Monteer de twee delen (2) in de behuizing (6)
- Pen (3) moet naar boven gericht zijn.
- De as (4) moet in de openingen (5) van de behuizing worden gebracht.
- Herhaal dit voor het tweede deel.

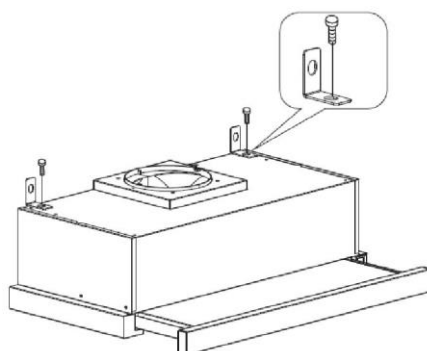


INSTALLATIE (montage op de muur)

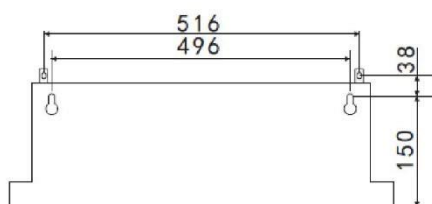
1. Bepaal de plaats van de gaten om de afzuigkap vast te maken.



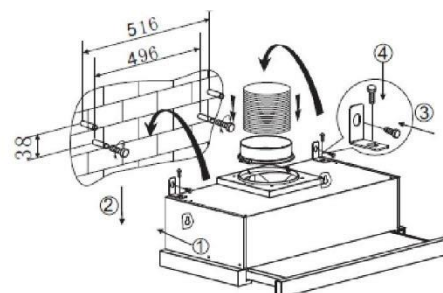
2. Installeer de L-vormige beugel op de bovenkant van de kap met twee schroeven (4 mm x 10 mm)



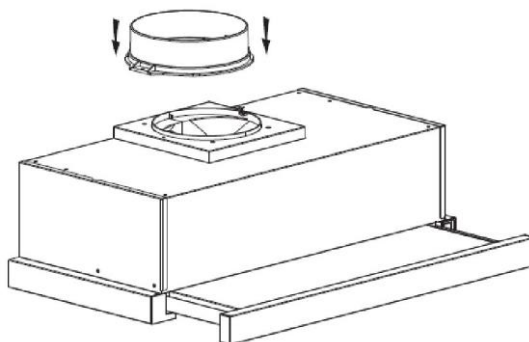
- De afzuigkap wordt met 4 schroeven (4 mm x 30 mm) en pluggen aan de muur gemonteerd. Bevestig de achterkant van de afzuigkap aan de muur met 2 schroeven (4 mm x 30 mm) en pluggen. Bevestig de afzuigkap dan aan de muur met 2 schroeven (4 mm x 30 mm) en pluggen door de kleine L-vormige beugel.



60 CM

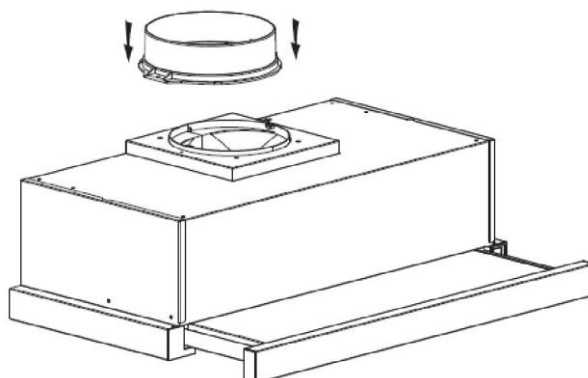


- Bevestig de terugslagklep aan de luchtuitlaat van de afzuigkap.

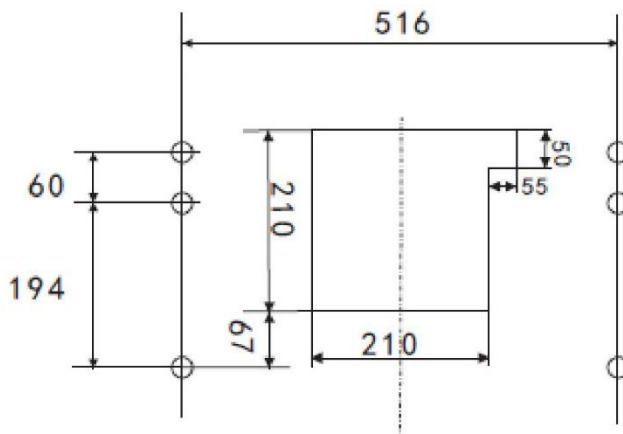


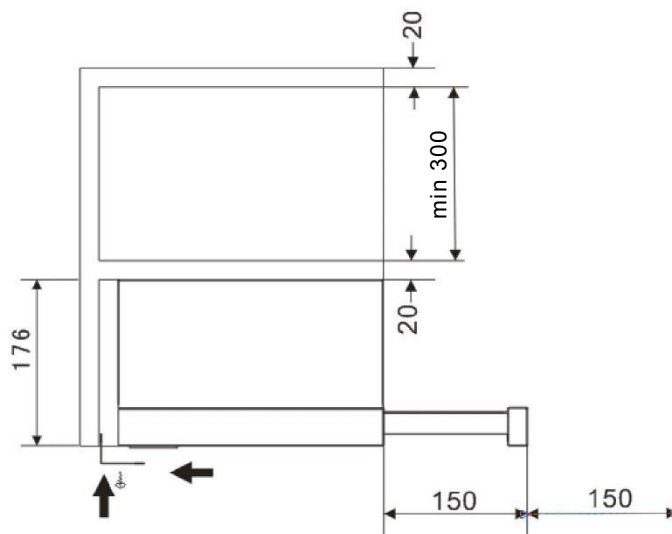
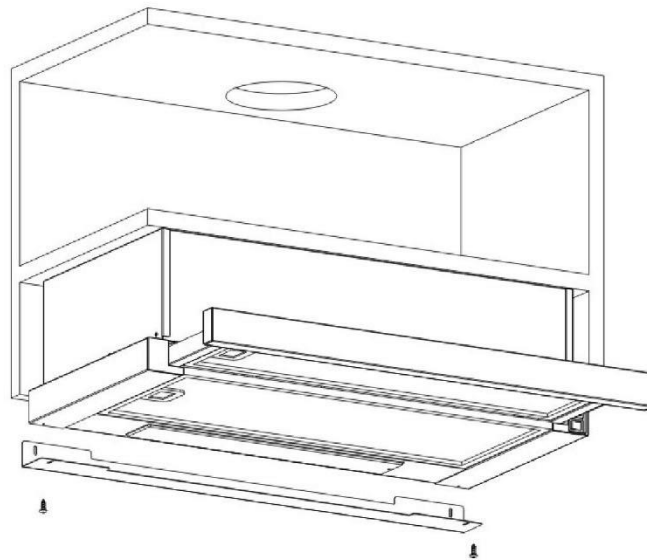
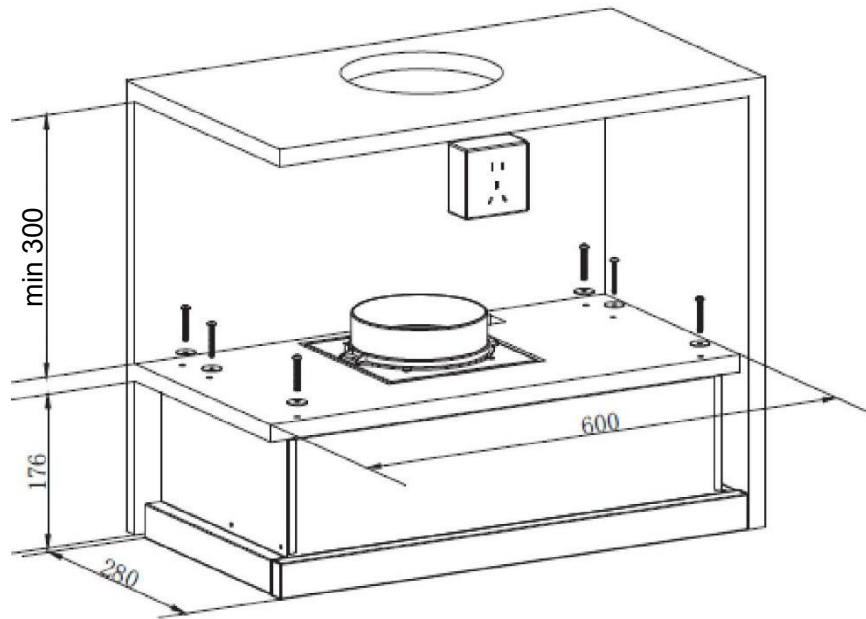
INSTALLATIE (montage op een kast)

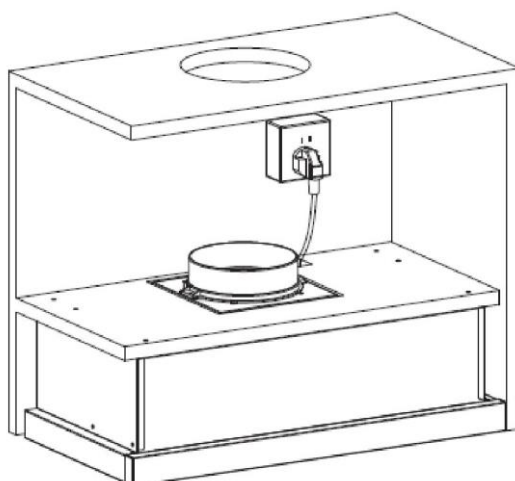
- Bevestig de terugslagklep aan de luchtuitlaat van de afzuigkap.



- Monteer de afzuigkap op de kast met 6 schroeven (4 x 35 mm) en platte sluitringen.







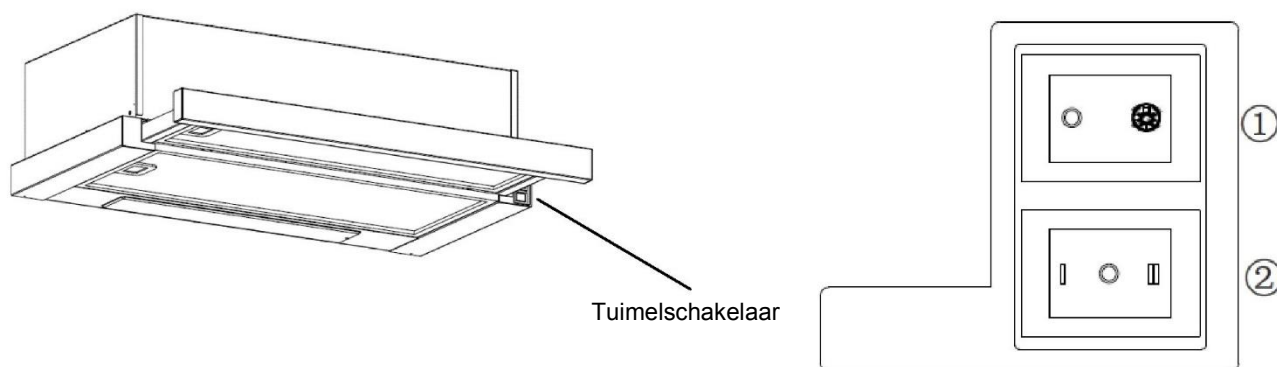
Als er ruimte is tussen de muur en de afzuigkap kunt u de L-vormige beugel aan de onderzijde van de afzuigkap bevestigen met twee schroeven (3 x 12 mm).
 Het aanbrengen van de L-vormige beugel is optioneel.
 Opmerking: De expansiebuis is niet bij dit product inbegrepen.

WAARSCHUWING:



- Vanwege de veiligheid mag u uitsluitend het formaat bevestigings- of montageschroeven gebruiken, die in deze handleiding worden aanbevolen.
- Wanneer de schroeven of de bevestiging niet volgens deze instructies worden aangebracht, kan dit elektrische gevaren met zich meebrengen.

Uw afzuigkap gebruiken
Tuimelschakelaar



1. Steek de stekker in het stopcontact.
2. Als u de schakelaar op ① zet, gaat de lamp branden; als u de schakelaar ① op "0" zet, gaat de lamp uit.

3. Als u de schakelaar ② op "I, II" zet, werkt de motor op "laag, hoog" twee snelheden, als u de schakelaar op "0", zet, is de motor uit.

4. De voeding wordt aangesloten wanneer u het voorpaneel naar buiten trekt. Andersom wordt de voeding automatisch afgesloten.

PROBLEMEN OPLOSSEN

Fout	Mogelijke oorzaak	Oplossing
Verlichting werkt, maar de motor draait niet	Schakelaar van de ventilator staat uit	Selecteer een schakelstand voor de ventilator.
	Schakelaar van de ventilator werkt niet	Neem contact op met het servicecentrum.
	Motor draait niet	Neem contact op met het servicecentrum.
Verlichting werkt niet, motor draait niet	Zekeringen van de woning doorgeslagen	Reset/vervang de zekeringen.
	Voedingskabel los of ontkoppeld	Sluit de kabel opnieuw aan op het stopcontact. Schakel het stopcontact in.
Olielekkage	Terugslagklep en uitgang zijn niet goed gedicht	Demonteer de terugslagklep en dicht af met afdichtmiddel.
	Lekken uit de aansluiting van de dampafvoerpijp en afdekking	Neem de dampafvoerpijp weg en dicht.
Lampjes branden niet	Lampjes kapot/defect	Vervang de lampjes volgens de instructies.
Onvoldoende zuigkracht	De afstand tussen de afzuigkap en het werkblad van het fornuis is te groot	Plaats de afzuigkap opnieuw op de juiste afstand.
De afzuigkap hangt scheef	De bevestigingsschroef is onvoldoende aangehaald	Haal de ophangschroef aan en zet de kap horizontaal.

OPMERKING:

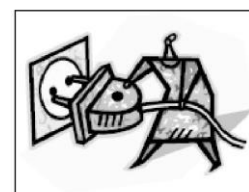


Alle werkzaamheden aan de elektra van dit apparaat moeten voldoen aan de lokale en landelijke voorschriften. Neem bij twijfel over bovenstaande werkzaamheden contact op met het servicecentrum. Koppel het apparaat altijd los van de voeding voordat u het opent.

ONDERHOUD EN REINIGING

Voorzichtig:

- Voordat u onderhoud of een reiniging uitvoert, moet de afzuigkap van het elektriciteitsnet worden losgekoppeld. Zorg ervoor dat de afzuigkap uit staat en dat de stekker uit het stopcontact is.



- Externe oppervlakken zijn gevoelig voor krassen en schuursporen. Volg de reinigingsinstructies op om de beste resultaten te verzekeren zonder dat het apparaat beschadigd raakt.

ALGEMEEN

Reiniging en onderhoud moet gebeuren wanneer het apparaat is afgekoeld, vooral het reinigen. Voorkom dat er alkalische of zure stoffen (citroensap, azijn enz.) op het oppervlak achterblijven.

ROESTVRIJ STAAL

Roestvrij staal moet regelmatig worden gereinigd (bijv. elke week) om een lange levensduur te verzekeren. Maak droog met een zachte doek. U mag een speciale reinigingsvloeistof voor roestvrij staal gebruiken.

OPMERKING:

Zorg ervoor dat u in de polijstrichting van het roestvrij staal veegt, om te vermijden dat er ontsierende, kruisgewijze kraspatronen ontstaan.

OPPERVLAK VAN HET BEDIENINGSPANEEL

Het ingebouwde bedieningspaneel kan met warm zeepsop worden schoongemaakt. Zorg ervoor dat de doek schoon is en goed uitgewrongen voordat u gaat schoonmaken. Verwijder overtollig vocht na het reinigen met een droge, zachte doek.

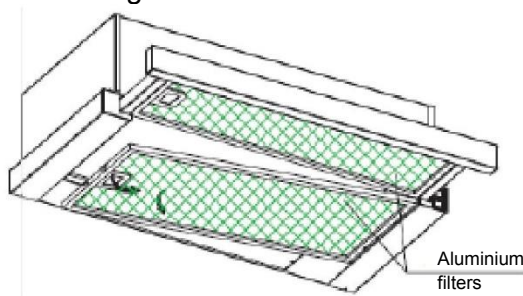
Belangrijk

Gebruik neutrale schoonmaakproducten en vermijd het gebruik van sterke chemische reinigingsmiddelen en producten die schuurmiddelen bevatten, omdat die het uiterlijk van het apparaat aantasten en eventuele sieropdruk van het bedieningspaneel verwijderen. Bovendien vervalt hierdoor de garantie van de fabrikant.

METALEN VETFILTERS

De gaasfilters kunnen handmatig worden gereinigd. Week ze ongeveer 3 minuten in water met een vetoplossend product en borstel ze dan voorzichtig af met een zachte borstel. Oefen niet te veel druk uit, anders zou het filter kunnen beschadigen. (Laat op natuurlijke wijze drogen, niet in direct zonlicht)

De filters moeten gescheiden van vaatwerk en keukengerei worden gewassen. Het is aanbevolen om geen spoelmiddel te gebruiken.



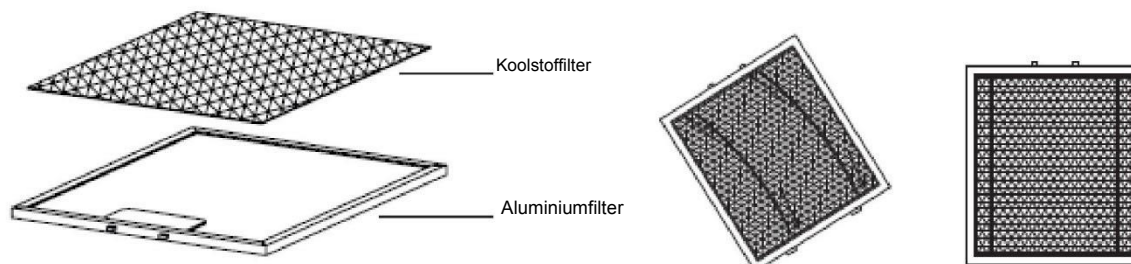
VETFILTERS VAN GAAS INSTALLEREN

- Volg de vier onderstaande stappen om de filters te installeren.
- Haak het filter in de gleuven aan de achterkant van de kap.
- Duw op de knop van de handgreep van het filter.
- Laat de handgreep los zodra het filter in positie is.
- Herhaal dit voor alle filters.

KOOLSTOFFILTER

Actievekoolfilters worden gebruikt voor het opvangen van geurtjes. Normaal moet het actievekoolfilter elke drie tot zes maanden worden vervangen, afhankelijk van uw kookgewoonten. De procedure voor het installeren van een actievekoolstoffilter is hieronder beschreven.

1. Plaats de koolstoffilter aan de achterkant van de aluminium filter.
2. Steek de staaldraad in het frame van de aluminium filter, een aan elke zijde. U moet het plooiën om het in het andere uiteinde van het frame in te brengen.
3. Zorg ervoor dat de staaldraad de koolstoffilter op de aluminium filter vastzet.



OPMERKING:

- Controleer of het filter stevig vastzit. Anders kan het losraken en gevaar veroorzaken.
- Wanneer een actievekoolstoffilter is aangebracht, neemt het afzuigvermogen af.

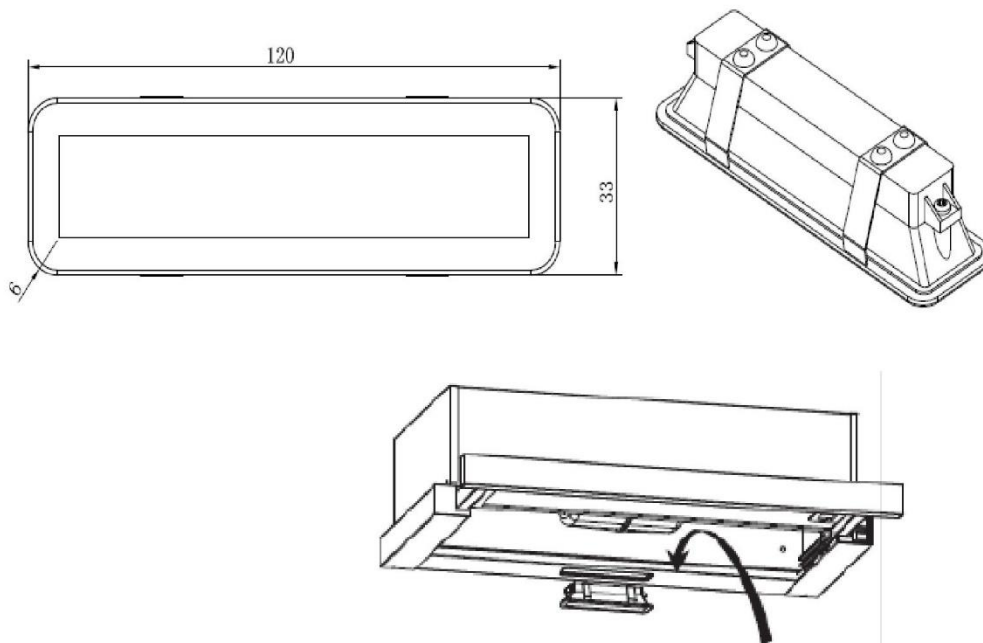
LAMPJE VERVANGEN

<p>Belangrijk:</p> 	<ul style="list-style-type: none">✧ Het lampje moet door de fabrikant, diens serviceagent of personen met gelijkwaardige kwalificatie worden vervangen.✧ Schakel de netvoeding altijd uit voordat u werkzaamheden aan het apparaat uitvoert. Wanneer u het lampje wilt vastpakken, moet u controleren of het volledig is afgekoeld voordat u het met uw handen aanraakt.✧ Wanneer u lampjes vastpakt, zorg dan dat u ze met een doek of met handschoenen vasthoudt, zodat er geen zweet op het lampje kan komen. Als dit gebeurt, kan dit ten koste gaan van de levensduur van het lampje.
---	--

Het lampje vervangen

Gebruik de schroevendraaier om de zelfborgende schroef ST4*8MM (2 stuks) van het verlichtingspaneel los te draaien; verwijder de lampfitting. Open de eindklem die met de draad is verbonden, maak de draadconnector los en vervang de lamp.

- De ILCOS D-code voor deze lamp is: DBS-2/65-H-120/33
- Ledmodules - rechthoekige lamp
- Max. wattage: 1X2 W
- Spanningsbereik: AC 110-240V
- Afmetingen:



BESCHERMING VAN HET MILIEU:



Dit product is gemarkeerd met het symbool voor gescheiden inzameling van elektronisch afval. Dit betekent dat dit product niet samen met het huishoudelijke afval mag worden weggegooid, maar conform richtlijn 2012/19/EU via een systeem voor gescheiden inzameling moet worden verwijderd. Het wordt dan gerecycled of gedemonteerd, zodat de gevolgen voor het milieu minimaal zijn. Elektrische en elektronische producten zijn potentieel gevaarlijk voor het milieu en voor de gezondheid van de mens wegens de aanwezigheid van gevaarlijke stoffen. Neem voor meer informatie contact op met uw lokale of regionale overheid.

OPMERKING:

Hierna wordt aangegeven hoe u de totale gevolgen van het koken voor het milieu kunt beperken (bijv. energieverbruik).

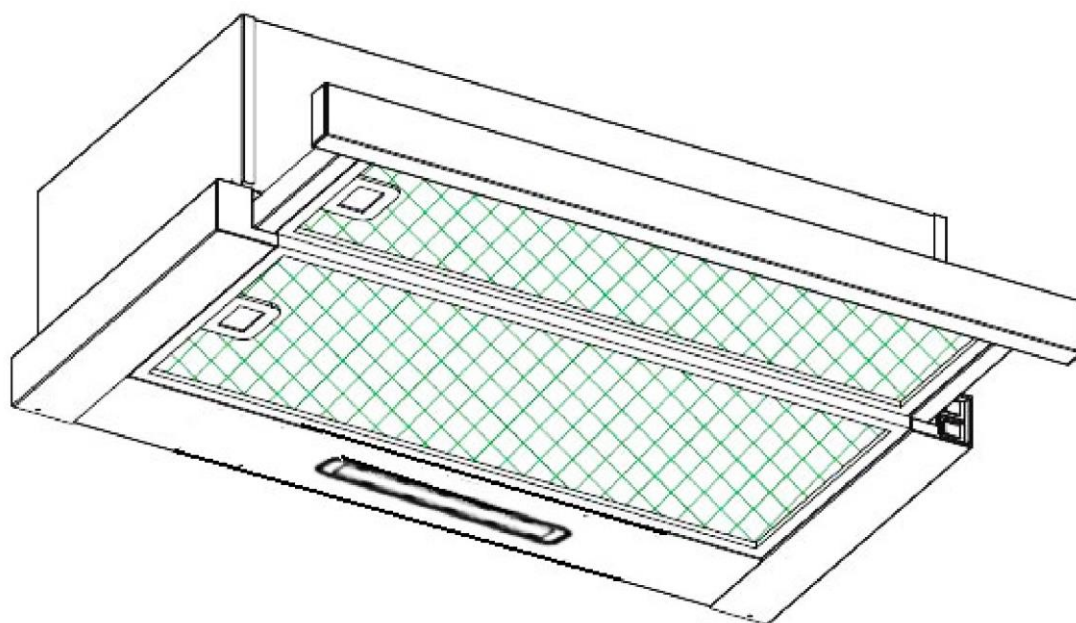
- (1) Installeer de afzuigkap op een geschikte plaats met efficiënte ventilatie.
- (2) Reinig de afzuigkap regelmatig, zodat de luchtstroming niet geblokkeerd raakt.
- (3) Denk eraan dat u het lampje van de afzuigkap na het koken moet uitschakelen.
- (4) Denk eraan dat u de afzuigkap na het koken moet uitschakelen.

INFORMATIE VOOR DEMONTAGE

Demonteer het apparaat niet op een manier die niet in de handleiding is beschreven. Het apparaat kan niet door de gebruiker worden gedemonteerd. Aan het einde van de levensduur mag het apparaat niet met het huishoudelijke afval worden afgevoerd. Raadpleeg uw lokale overheid of een recyclingbedrijf voor recyclingadvies.

Campana extractora

Manual de instrucciones



Índice

1	Instrucciones de seguridad
2	Instalación
3	Empezar a usar la campana extractora
4	Solución de problemas
5	Mantenimiento y limpieza
6	Protección del medio ambiente

INSTRUCCIONES DE SEGURIDAD

Este manual explica la instalación y el uso adecuados de su campana extractora. Léalo atentamente antes de usarla, incluso si está familiarizado con el producto. El manual debe guardarse en un lugar seguro para futuras consultas.

Estas instrucciones también estarán disponibles en un formato alternativo, p.ej. en un sitio web o a petición del usuario en un formato como un DVD.

Lo que nunca debe hacer:

- ¡No use la campana extractora sin los filtros de grasa o si los filtros están excesivamente grasientos!
- No la instale encima de una cocina con una parrilla de alto nivel.
- No deje las sartenes desatendidas durante el uso porque las grasas o aceites sobrecalentados pueden prenderse en llamas.
- Nunca deje llamas abiertas debajo de la campana extractora.



- No intente usar la campana extractora si está dañada.
- No flambee debajo de la campana extractora.
- **PRECAUCIÓN:** Las partes accesibles pueden calentarse cuando se usan con aparatos de cocina.
- La distancia mínima entre la superficie de soporte para los utensilios de cocción en el fogón y la parte más baja de la campana extractora. (Cuando la campana se encuentra encima de una cocina de gas, esta distancia debe ser de al menos 65 cm).
- El aire no debe extraerse en conductos usados para expulsar humos de aparatos que queman gas u otros combustibles.



Lo que siempre debe hacer:

- ¡Importante! Apague siempre el suministro de la red eléctrica durante la instalación y las actividades de mantenimiento, como cambiar una bombilla.
- La campana extractora debe instalarse de acuerdo con las instrucciones de instalación y todas las medidas seguidas.
- Todos los trabajos de instalación deben ser realizados por una persona competente o un electricista cualificado.
- Deseche el material de embalaje cuidadosamente. Los niños son vulnerables a este.
- Preste atención a los bordes afilados dentro de la campana extractora, especialmente durante la instalación y la limpieza.
- Cuando la campana extractora se encuentra encima de una cocina de gas, la distancia mínima entre la superficie de soporte para los utensilios de cocción en el fogón y la parte más baja de la campana debe ser:
Cocinas de gas: 75 cm
Cocinas eléctricas: 65 cm
Cocinas de carbón o aceite: 75 cm
- Asegúrese de que los conductos no tengan dobleces superiores a 90 grados, ya que esto reducirá la eficiencia de la campana extractora.
- Advertencia: Si los tornillos o el dispositivo de fijación no se instalan de acuerdo con estas instrucciones, pueden producirse riesgos eléctricos.
- Advertencia: Antes de obtener acceso a los terminales, todos los circuitos de suministro deben estar desconectados.

Lo que siempre debe hacer:

- Coloque siempre tapas en ollas y sartenes cuando cocine en una cocina de gas.
- Cuando se encuentre en el modo de extracción, la campana extractora estará extrayendo el aire de la habitación. Asegúrese de que se estén observando las medidas de ventilación adecuadas. La campana extractora elimina los olores de la habitación, pero no el vapor.
- La campana extractora es solo para uso doméstico.



- Si el cable de alimentación está dañado, debe ser sustituido por el fabricante, por su servicio técnico o por cualquier profesional cualificado similar para evitar riesgos.
- Este electrodoméstico puede ser utilizado por niños a partir de 8 años y por personas con capacidades físicas, sensoriales o mentales reducidas, o sin experiencia o conocimientos previos, siempre y cuando hayan recibido la supervisión y las instrucciones necesarias para utilizar el electrodoméstico de forma segura y comprendan los riesgos que implica. Los niños no deben jugar con este electrodoméstico. Las operaciones de limpieza y mantenimiento no deben ser realizadas por niños sin supervisión.



- Advertencia: Antes de obtener acceso a los terminales, todos los circuitos de suministro deben estar desconectados.

Lo que siempre debe hacer:

- Precaución: El electrodoméstico y sus accesorios se pueden calentar durante el uso. Trate de evitar tocar los elementos de calentamiento. Los niños menores de 8 años deben mantenerse alejados a menos que estén bajo supervisión permanente.
- La habitación debe estar adecuadamente ventilada cuando la campana extractora se usa al mismo tiempo que electrodomésticos que quemen gas u otros combustibles.
- Existe un riesgo de incendio si la limpieza no se lleva a cabo de acuerdo con las instrucciones.
- Deben cumplirse las normativas relativas a la extracción de aire.
- Limpie su electrodoméstico periódicamente siguiendo el método indicado en el capítulo MANTENIMIENTO.
- Por razones de seguridad, use solo tornillos de fijación o montaje del tamaño recomendado en este manual de instrucciones.
- En cuanto a los detalles sobre el método y la frecuencia de limpieza, consulte la sección de mantenimiento y limpieza en el manual de instrucciones.
- Las operaciones de limpieza y mantenimiento no deben ser realizadas por niños sin supervisión.
- Cuando la campana extractora y los electrodomésticos que funcionan con energía que no sea electricidad están funcionando simultáneamente, la presión negativa en la habitación no debe superar los 4 Pa (4×10^{-5} bar).
- ADVERTENCIA: Peligro de incendio: no almacene artículos sobre las superficies de cocción.
- No se debe utilizar un limpiador a vapor.
- NUNCA intente apagar un incendio con agua; debe apagar el electrodoméstico y cubrir posteriormente la llama, p. ej., con una tapa o una manta contra incendios.

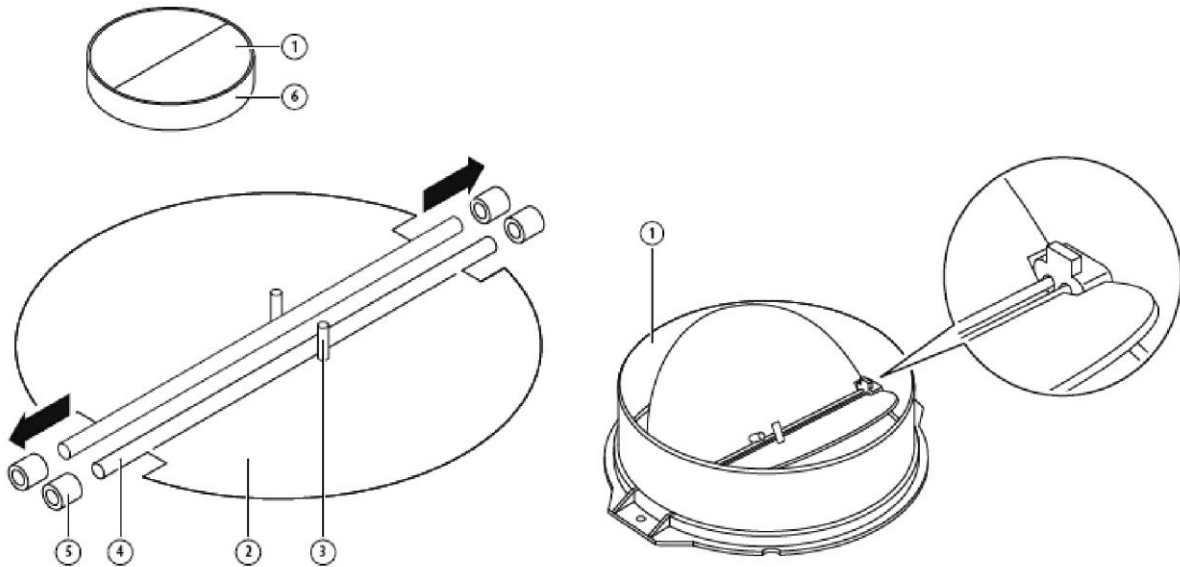
INSTALACIÓN (VENTILACIÓN EXTERIOR)

MONTAJE DE LA TAPA EN V (Opcional)

Si la campana extractora no dispone de una tapa en V 1 montada, debe montar las mitades en su cuerpo. Las imágenes solo muestran un ejemplo de cómo montar la tapa en V, la salida puede ser diferente según los diferentes modelos y configuraciones.

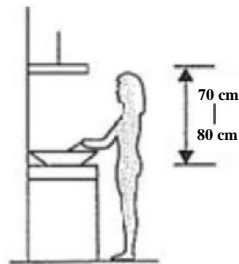
Para montar la tapa en V 1, debe:

- Montar las dos mitades 2 en el cuerpo 6.
- Un pasador 3 debería estar orientado hacia arriba.
- El eje 4 debería introducirse en los orificios 5 en el cuerpo.
- Repita todas las operaciones para la 2ª mitad.

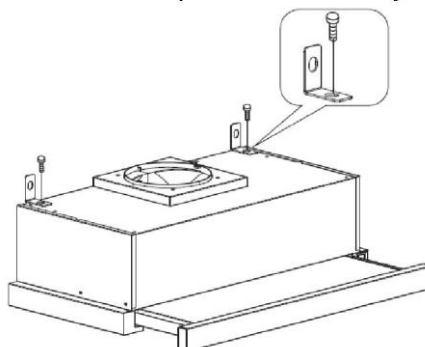


INSTALACIÓN (Montaje en pared)

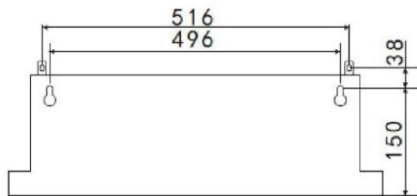
1. Decida la ubicación de los agujeros para fijar la campana extractora.



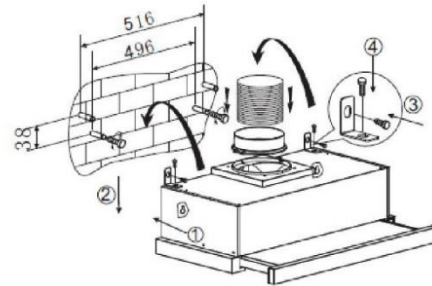
2. Instale el soporte en forma de L en la parte superior de la campana con dos tornillos (4 mm x 10 mm).



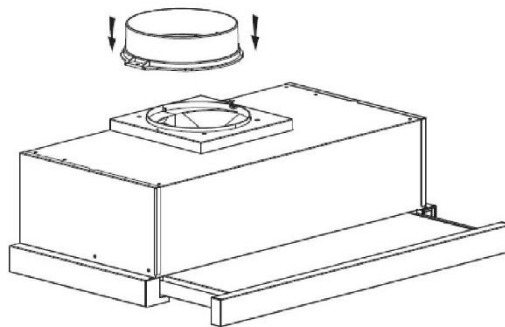
3. La campana extractora se monta en la pared con 4 tornillos (4 mm x 30 mm) y tacos de pared. Monte la campana extractora en la pared con 2 tornillos (4 mm x 30 mm) y tacos de pared en la parte posterior de la campana. Luego fije la campana extractora en la pared con 2 tornillos (4 mm x 30 mm) y tacos de pared ajustados al soporte pequeño en forma de L.



60 CM

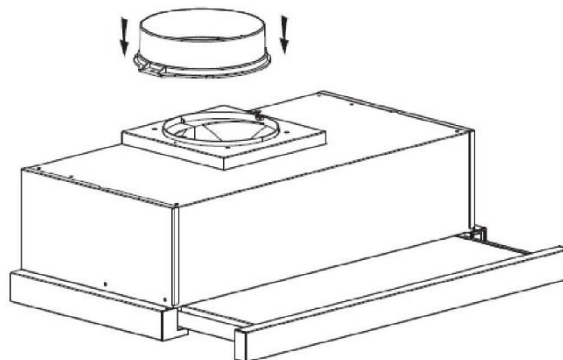


4. Fije la válvula de una vía a la salida de aire de la campana extractora.

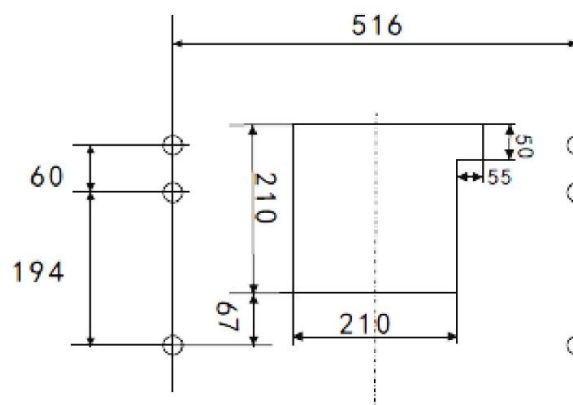


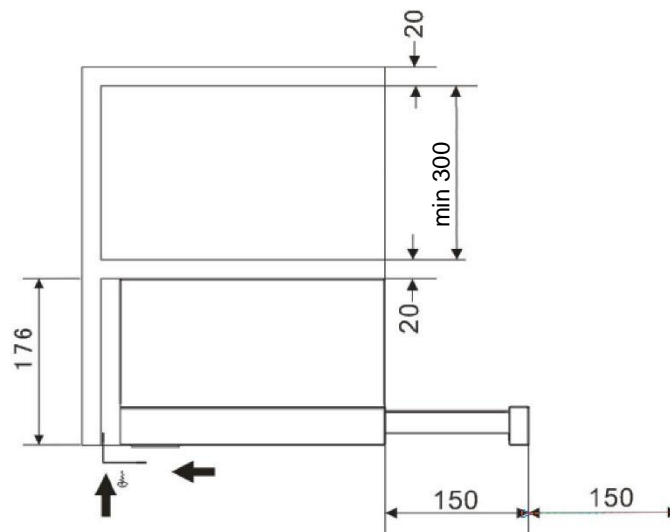
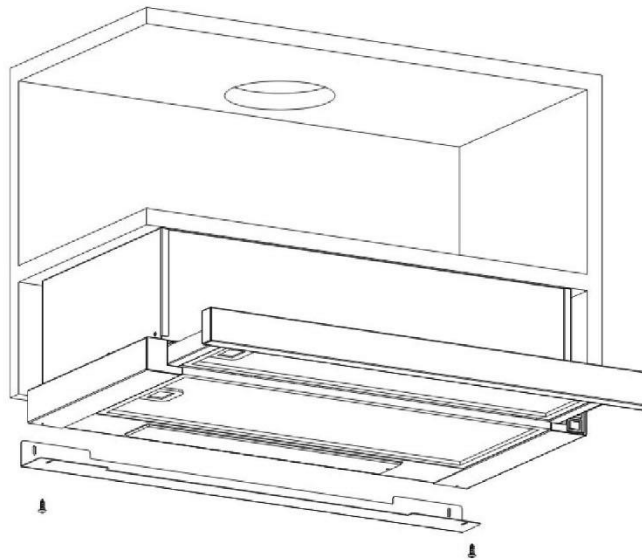
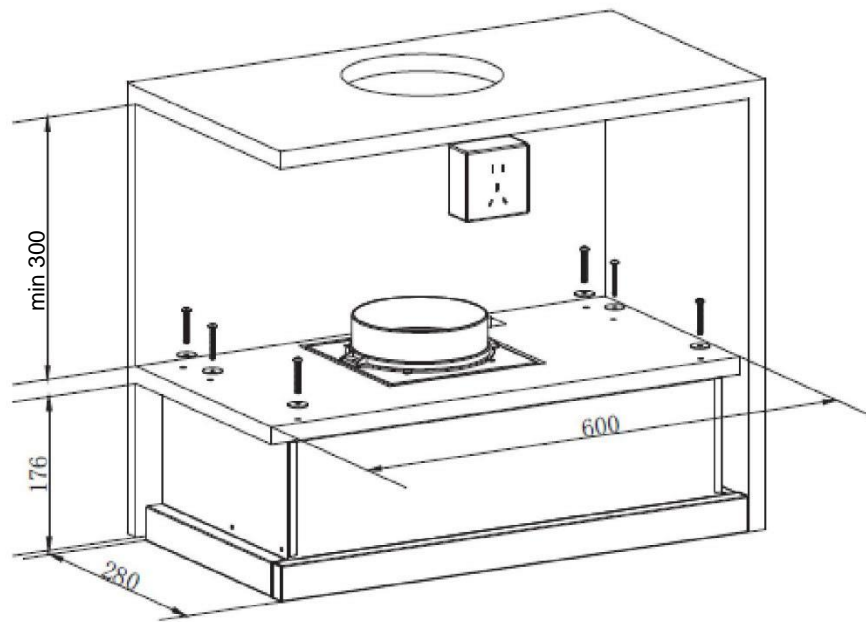
INSTALACIÓN (Montaje en armario)

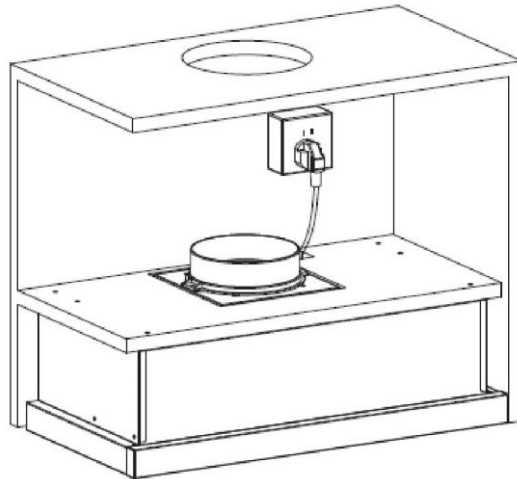
1. Fije la válvula de una vía a la salida de aire de la campana extractora.



2. Monte la campana extractora en el armario con 6 tornillos (4 x 35 mm) y arandelas planas.








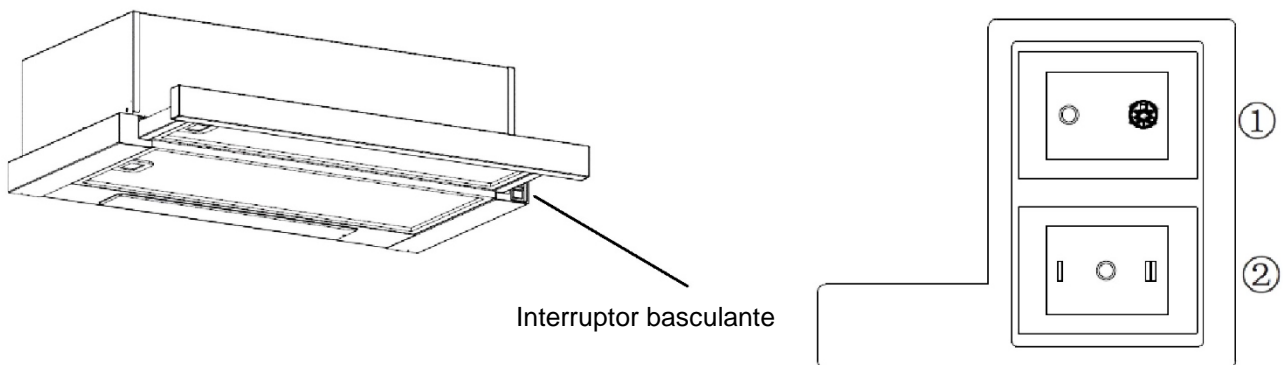
Si hay un espacio entre la pared y la campana extractora, puede instalar el soporte en forma de L en la parte inferior de la campana mediante dos tornillos (3 x 12 mm). La instalación del soporte en forma de L es opcional.

Nota: El tubo de expansión no está incluido en el producto.

<p>ADVERTENCIA:</p> 	<ul style="list-style-type: none"> ➤ Por razones de seguridad, use solo tornillos de fijación o montaje del tamaño recomendado en este manual de instrucciones. ➤ Si los tornillos o el dispositivo de fijación no se instalan de acuerdo con estas instrucciones, pueden producirse riesgos eléctricos.
--	--

Empezar a usar la campana extractora

Interruptor basculante




1. Introduzca el enchufe en la toma de corriente.
2. Mueva el interruptor ① hacia, la luz se encenderá; mueva el interruptor ① a "0", la luz se apagará.
3. Mueva el interruptor ② hacia "I, II", el motor estará en una de las dos velocidades, "baja, alta"; mueva el interruptor a "0", el motor se apagará.

4. La alimentación se conectará cuando saque el panel frontal. Por el contrario, la alimentación se desconectará automáticamente.

SOLUCIÓN DE PROBLEMAS

Fallo	Causa posible	Solución
La luz está encendida, pero el motor no funciona	Interruptor del ventilador apagado	Seleccione una posición para el interruptor del ventilador.
	Fallo del interruptor del ventilador	Póngase en contacto con el centro de asistencia técnica.
	Fallo del motor	Póngase en contacto con el centro de asistencia técnica.
La luz no funciona, el motor no funciona	Han saltado los fusibles de la casa	Restablezca/Reemplace los fusibles.
	Cable de alimentación suelto o desconectado	Vuelva a ajustar el cable a la toma de corriente. Encienda la toma de corriente.
Fuga de aceite	La válvula de una vía y la salida no están herméticamente selladas	Desmonte la válvula de una vía y selle con un sellador.
	Fuga en la conexión del tubo de salida y la cubierta	Desmonte el tubo de salida y séllelo.
Las luces no funcionan	Globos rotos/defectuosos	Sustituya los globos siguiendo estas instrucciones.
Succión insuficiente	La distancia entre la campana extractora y el gas está demasiado lejos	Vuelva a colocar la campana extractora a la distancia correcta.
La campana extractora se inclina	El tornillo de fijación no está lo suficientemente ajustado	Apriete el tornillo de suspensión y coloque la campana en posición horizontal.

NOTA:

 Cualquier reparación eléctrica de este electrodoméstico debe cumplir con las leyes locales, estatales y federales. Póngase en contacto con el centro de asistencia técnica si tiene alguna duda antes de realizar cualquiera de los pasos anteriores. Desconecte siempre la unidad de la fuente de alimentación cuando abra la unidad.

MANTENIMIENTO Y LIMPIEZA

Precaución:

- Antes de llevar a cabo el mantenimiento o la limpieza, la campana extractora debe estar desconectada de la fuente de alimentación principal. Asegúrese de que la campana extractora esté desconectada de la toma de pared y que se haya retirado el enchufe.
- Las superficies externas son susceptibles a rasguños y abrasiones, por lo tanto, siga las instrucciones de limpieza para garantizar que se obtenga el mejor resultado posible sin daños.



GENERAL

La limpieza y el mantenimiento se deben llevar a cabo con el aparato frío, especialmente durante la limpieza. Evite dejar sustancias alcalinas o ácidas (jugo de limón, vinagre, etc.) en las superficies.

ACERO INOXIDABLE

El acero inoxidable debe limpiarse de forma regular (por ejemplo, semanalmente) para garantizar una larga vida útil. Séquelo con un paño suave y limpio. Se puede usar un detergente específico para acero inoxidable.

NOTA:

Asegúrese de que la limpieza se realice siguiendo la trama del acero inoxidable para evitar que aparezcan los antiestéticos patrones de rayado cruzado.

SUPERFICIE DEL PANEL DE CONTROL

El panel de control incrustado se puede limpiar con agua tibia con jabón. Asegúrese de que el paño esté limpio y bien escurrido antes de limpiarlo. Use un paño suave y seco para eliminar el exceso de humedad que queda después de la limpieza.

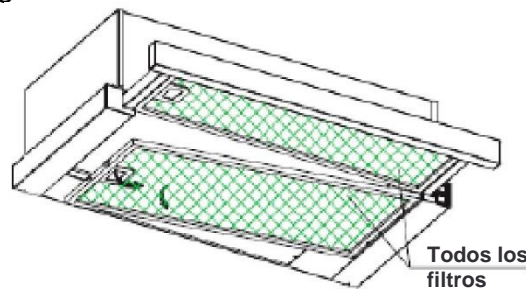
Importante

Use detergentes neutros y evite el uso de productos químicos de limpieza agresivos, detergentes domésticos fuertes o productos que contengan abrasivos, ya que esto afectará a la apariencia del electrodoméstico y posiblemente eliminará cualquier impresión estética en el panel de control y anulará la garantía del fabricante.

FILTROS DE MALLA PARA LA GRASA

Los filtros de malla se pueden limpiar a mano. Empápelos durante aproximadamente 3 minutos en agua con un detergente antigrasa y luego cepíllelos suavemente con un cepillo suave. No aplique demasiada presión, evite dañarlos. (Deje que se sequen de forma natural pero alejados de la luz directa del sol)

Los filtros deben lavarse separados de la vajilla y los utensilios de cocina. Se aconseja no utilizar agente enjuagante.



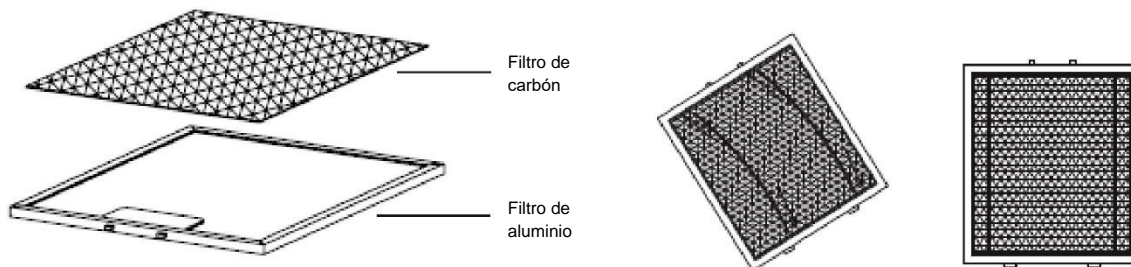
INSTALACIÓN DE LOS FILTROS DE MALLA PARA LA GRASA

- Para instalar los filtros, siga los siguientes cuatro pasos.
- Posicione el filtro en las ranuras de la parte posterior de la campana.
- Presione el botón del agarre del filtro.
- Suelte el agarre una vez que el filtro se ajuste en una posición de descanso.
- Repita este proceso para instalar todos los filtros.

FILTRO DE CARBONO

El filtro de carbón activado se puede usar para atrapar los olores. Normalmente, el filtro de carbón activado debe cambiarse a los tres o seis meses, según sus hábitos de cocina. El procedimiento de instalación del filtro de carbón activado es el siguiente.


1. Coloque el filtro de carbón en la parte posterior del filtro de aluminio.
2. Inserte el alambre de acero en el marco del filtro de aluminio, uno en cada lado. Es necesario doblarlo para insertarlo en el otro extremo del marco.
3. Asegúrese de que el alambre de acero fije el filtro de carbón al filtro de aluminio.



NOTA:

- Asegúrese de que el filtro esté bloqueado de forma segura. De lo contrario, se aflojaría y causaría daños.
- Cuando el filtro de carbón activado esté conectado, la potencia de succión disminuirá.

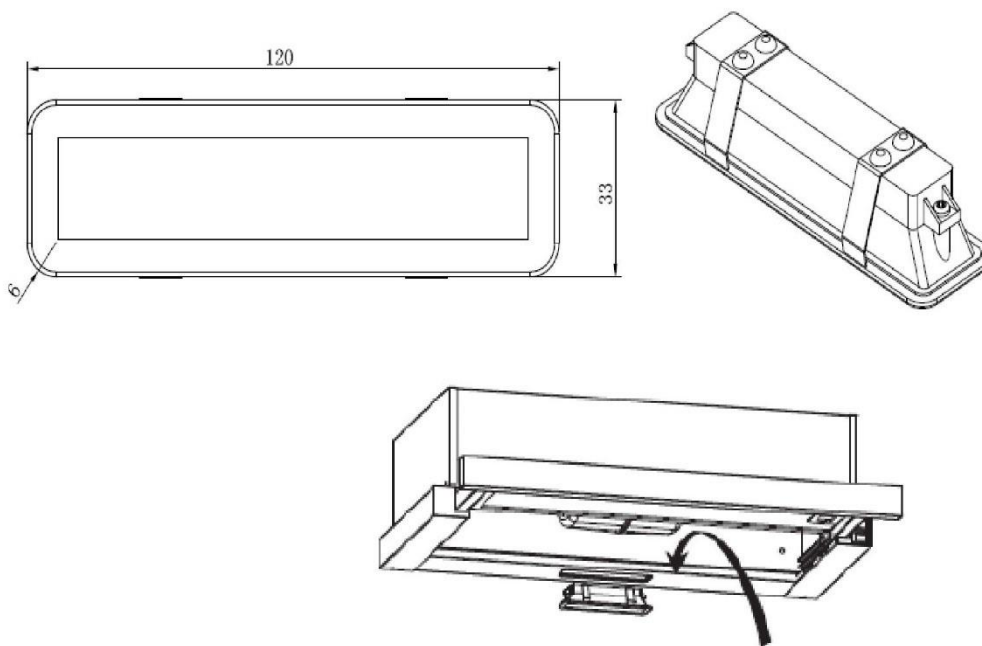
SUSTITUCIÓN DE LA BOMBILLA

<p>Importante:</p> 	<ul style="list-style-type: none">✧ La bombilla debe cambiarla el fabricante, su agente de servicio o personas con una cualificación similar.✧ Apague siempre el suministro de electricidad antes de realizar cualquier operación en el aparato. Cuando manipule la bombilla, asegúrese de que esté completamente fría antes de cualquier contacto directo con las manos.✧ Cuando manipule los globos, sosténgalos con un paño o guantes para asegurar que la transpiración no entre en contacto con el globo, ya que esto puede reducir la vida útil del globo.
--	--


Sustitución de las luces

Utilice el destornillador para aflojar el tornillo autorroscante ST4*8MM (2 un.) del panel de iluminación, saque el accesorio de iluminación. Abra la caja de terminales que se conectó con el cable, desconecte el conector del cable y cambie la lámpara.

- El código ILCOS D para esta lámpara es: DBS-2/65-H-120/33
- Módulos LED - lámpara rectangular
- Potencia máxima: 1X2 W
- Rango de voltaje: CA 110-240 V
- Medidas:



PROTECCIÓN DEL MEDIO AMBIENTE:

	<p>Este producto está marcado con el símbolo de la clasificación selectiva de equipos electrónicos de desecho. Esto significa que este producto no debe eliminarse con la basura doméstica, sino que debe desecharse mediante un sistema de recogida selectiva de acuerdo con la Directiva 2012/19/EU. Luego se reciclará o desmantelará para minimizar los impactos sobre el medio ambiente. Los productos eléctricos y electrónicos son potencialmente peligrosos para el medio ambiente y la salud humana debido a la presencia de sustancias peligrosas. Para obtener más información, póngase en contacto con las autoridades locales o regionales.</p>
---	--

NOTA:

A continuación se muestra cómo reducir el impacto ambiental total (por ejemplo, mediante el uso de energía) del proceso de cocción.

- (1) Instale la campana extractora en un lugar apropiado donde haya una ventilación eficiente.
- (2) Limpie la campana extractora regularmente para no bloquear las vías de salida del aire.
- (3) Recuerde apagar la luz de la campana extractora después de cocinar.
- (4) Recuerde apagar la campana extractora después de cocinar.

INFORMACIÓN PARA EL DESMONTAJE

No desmonte el aparato de manera diferente a la mostrada en el manual de instrucciones. El aparato no puede ser desmontado por el usuario. Al final de su vida útil, el electrodoméstico no se debe tirar con la basura doméstica. Consulte con su recolector de desechos o autoridad local para obtener consejos de reciclaje.